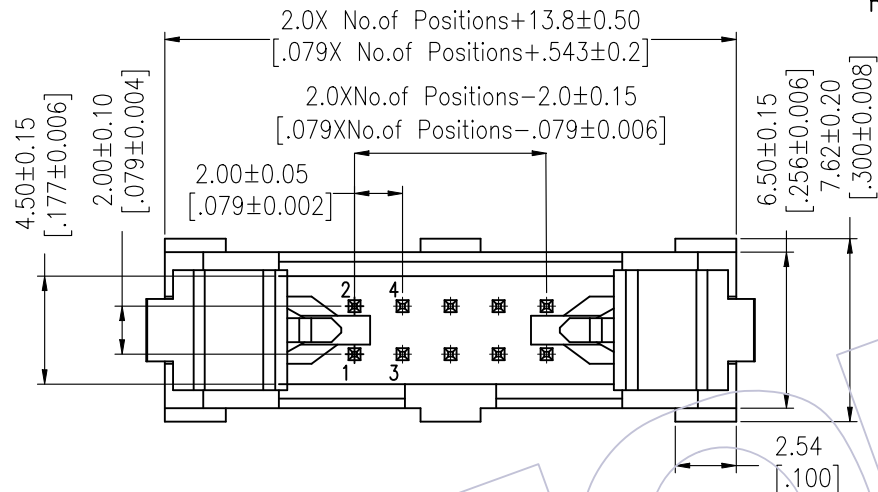
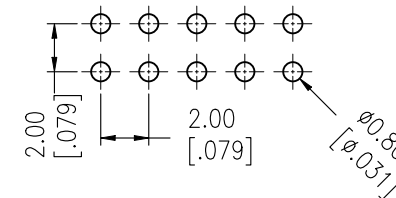


HSF

NOTES:
 Current Rating: 2.0AMP
 Contact Resistance: 20mΩ Max
 Withstand Voltage: 1000V AC/DC
 Insulation Resistance: 1000MΩ Min
 Operation Temperature: -40°C to +105°C

Contact Material: Brass
 Contact plating: Au Or Sn over Ni
 Insulator Material: LCP+30%G.F UL94V-0

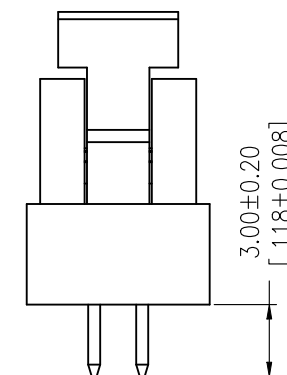
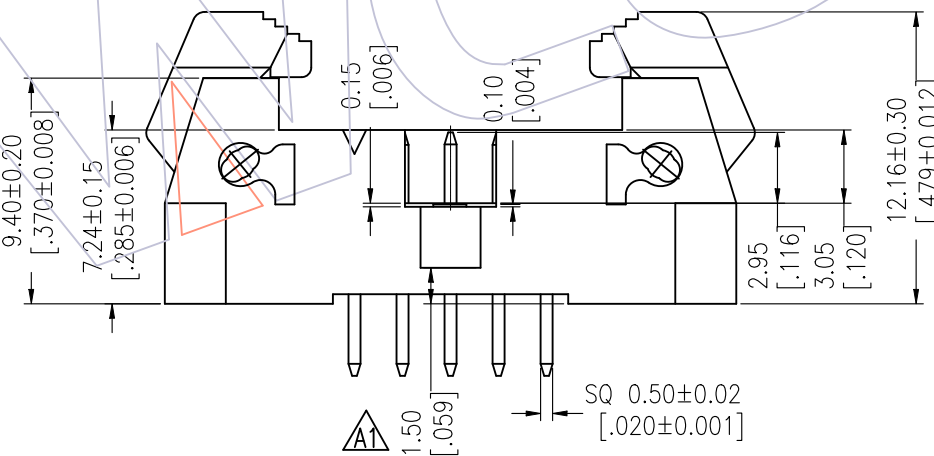
Recommended P.C.B Layout(Top Side)
 (PCB BOARD TOLERANCE ±0.05)



Ordering Information

3221-XX S XX B S T 1

No. of Pins	Contact Plating	Insulator Color	Packing
06 30	G0=Gold Flash	B=Black	A=Tray
08 34	G3=10u"Gold		T=Tube
10 40	G4=15u"Gold		
14 44	G5=30u"Gold		
16 50	S0=Gold Flash/Tin		
20 60	S3=10u"Gold/Tin		
24 64	S4=15u"Gold/Tin		
26	S5=30u"Gold/Tin		
	SN=Tin		



Item	Pitch	Mating
Standard	2.00	5225
Alternate		

OPERATION	DRAW	DATE	SCALE	FIT	PART NO.
x.x ±0.40	DuYing	2020/05/14	UNIT	mm	3221-XXSXXBST1
x.xx ±0.25	CHECK	DATE	SIZE	A4	TITLE: 2.0 Ejector Header "S" Type 180°
x.xxx ±0.15	APPROVE	DATE	SHEET	1/1	Customer NO.
Angle ± 3'			PROJ.		
DIM TOL					

WCON

Http: www.wcon.com

WCON-Dongguan
 Tel: +86 769 85358920
 Fax: +86 769 85358915
 E-mail: sales@wcon.com

WCON-Kunshan
 Tel: +86 512 57468408
 Fax: +86 512 57468468
 E-mail: salesks@wcon.com