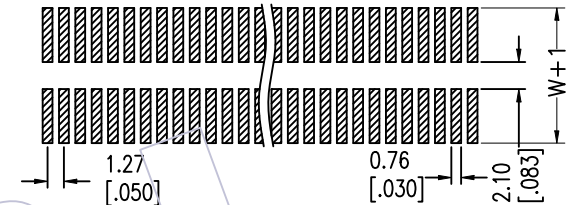
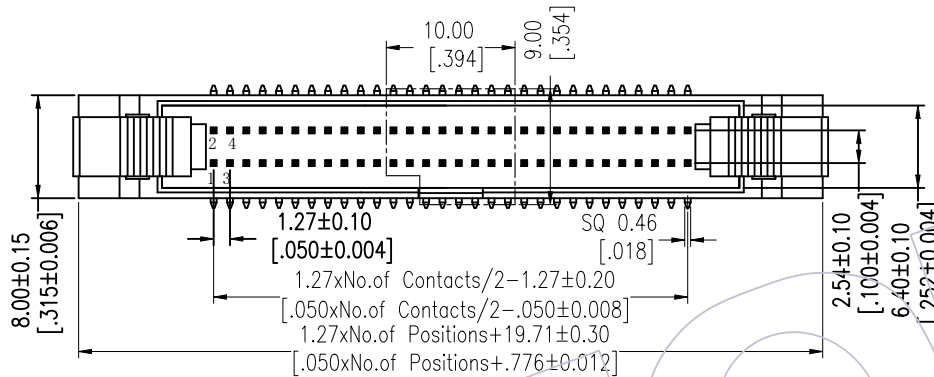


HSF

NOTES:
 Current Rating: 1.0AMP
 Contact Resistance: 20mΩ Max
 Withstand Voltage: 500V AC/DC
 Insulation Resistance: 1000MΩ Min
 Operation Temperature: -40°C to +105°C

Contact Material: Brass
 Contact plating: Au Or Sn over Ni
 Insulator Material: PA9T+33%G.F UL94V-0

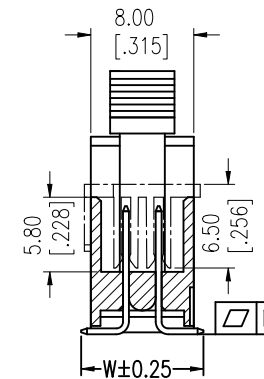
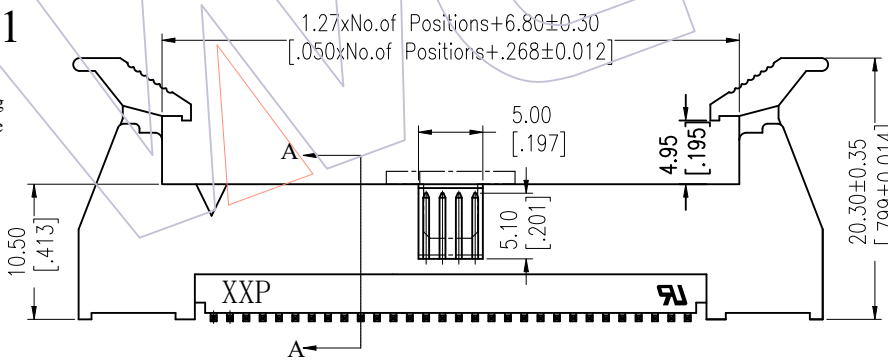
Recommended P.C.B Layout(Top Side)
 (PCB BOARD TOLERANCE ±0.05)



Ordering Information

3240- XX M XX B S X 1

No. of Pins	Contact Plating	Color Insulator	Packing
10 34	G0=Gold Flash	B=Black	T=Tube
12 40	G3=10u"Gold	U=Blue	
14 44	G4=15u"Gold	W=White	
16 50	G5=30u"Gold		
20 60	S0=Gold Flash/Tin		
24 64	S3=10u"Gold/Tin		
26 80	S4=15u"Gold/Tin		
30 100	S5=30u"Gold/Tin		
32	SN=Tin		



Section "A-A"

Item	Pitch	Mating
Standard	1.27X2.54	5242
Alternate		

PIN(PerRow)	M		
	10-20P	24-40P	44-100P
	0.10	0.12	0.15

Dimension antitheses list	
ITEM	W
Standard	9.50
Alternate	

REV	DATE	MODIFICATION DESCRIPTION	CHANGE	OPERATION	DRAW	DATE	SCALE	FIT	PART NO.
A1	2023/02/17	Add Flatness	DuYing	x.x ±0.40	DuYing	2023/02/17	UNIT mm		3240-XXMXXBSX1
A0	2012/09/29	NEW	JYHuang	x.xx ±0.25	CHECK	DATE	SIZE A4		TITLE: 1.27*2.54 EJECTOR HEADER SMT
				x.xxx ±0.15	APPROVE	DATE	SHEET 1/1		Customer NO.
				Angle ± 3°			PROJ.		
				DIM TOL					

WCON

Http: www.wcon.com

WCON-Dongguan Tel: +86 769 85358920 Fax: +86 769 85358915 E-mail: sales@wcon.com
 WCON-Kunshan Tel: +86 512 57468408 Fax: +86 512 57468468 E-mail: salesks@wcon.com