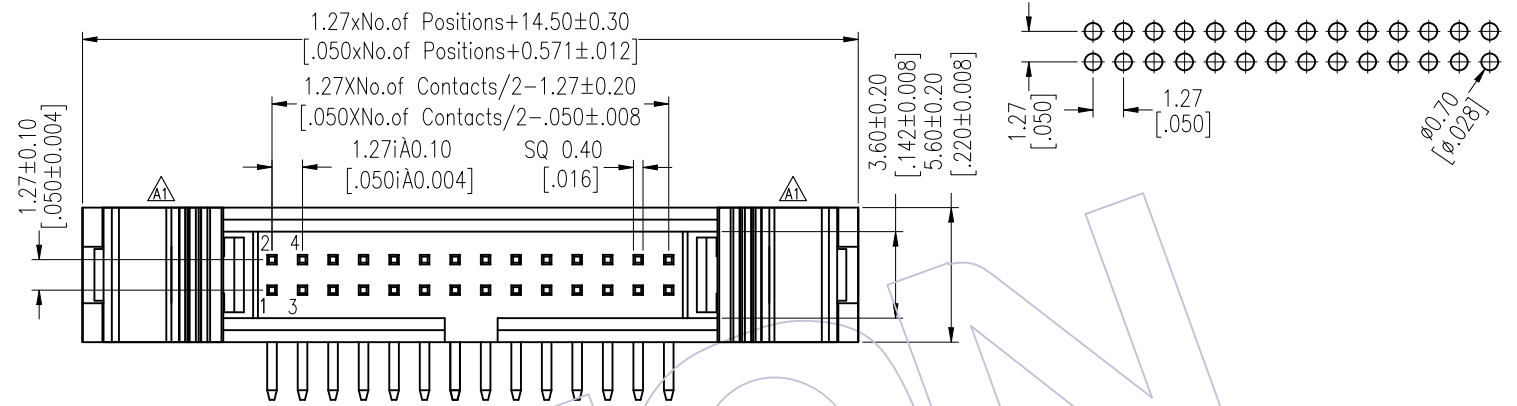


HSF

NOTES:
 Current Rating: 1.0AMP
 Contact Resistance: 20mΩ Max
 Withstand Voltage: 500V AC/DC
 Insulation Resistance: 1000MΩ Min
 Operation Temperature: -40°C to +105°C

Contact Material: Brass
 Contact plating: Au Or Sn over Ni
 Insulator Material: PA9T+33%G.F UL94V-0

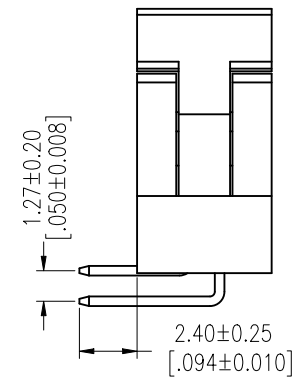
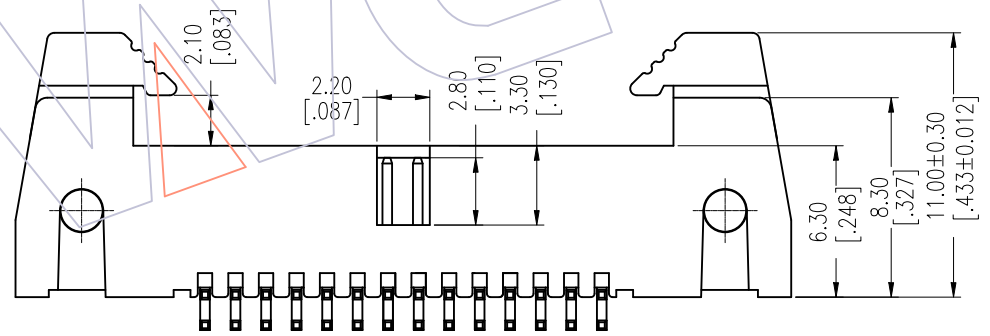
Recommended P.C.B Layout(Top Side)
 (PCB BOARD TOLERANCE ±0.05)



Ordering Information

3230-XX R XX B S X 2

- | | | | |
|-------------|-------------------|-----------------|---------|
| No. of Pins | Contact Plating | Insulator Color | Packing |
| 10 34 | G0=Gold Flash | B=Black | T=Tube |
| 14 40 | G3=10u"Gold | | |
| 16 44 | G4=15u"Gold | | |
| 20 50 | G5=30u"Gold | | |
| 24 60 | S0=Gold Flash/Tin | | |
| 26 64 | S3=10u"Gold/Tin | | |
| 30 | S4=15u"Gold/Tin | | |
| | S5=30u"Gold/Tin | | |
| | SN=Tin | | |



Item	Pitch	Mating
Standard	1.27	5232
Alternate		

REV	DATE	MODIFICATION DESCRIPTION	CHANGE	OPERATION		DRAW	DATE	SCALE	FIT	PART NO.
				Angle	DIM TOL					
A1	2017/01/19	Modify drawing	△	x.X	±0.40	Ding	2017/01/19			3230-XXRXXBSX2
A0	2012/09/28	NEW	-----	x.XX	±0.25	CHECK				TITLE: 1.27 EJECTOR HEADER 90°
				x.XXX	±0.15					
					± 3°	APPROVE				Customer NO.

WCON

Http: www.wcon.com

WCON-Dongguan WCON-Kunshan

Tel: +86 769 85358920 Tel: +86 512 57468408

Fax: +86 769 85358915 Fax: +86 512 57468468

E-mail: sales@wcon.com E-mail: salesks@wcon.com