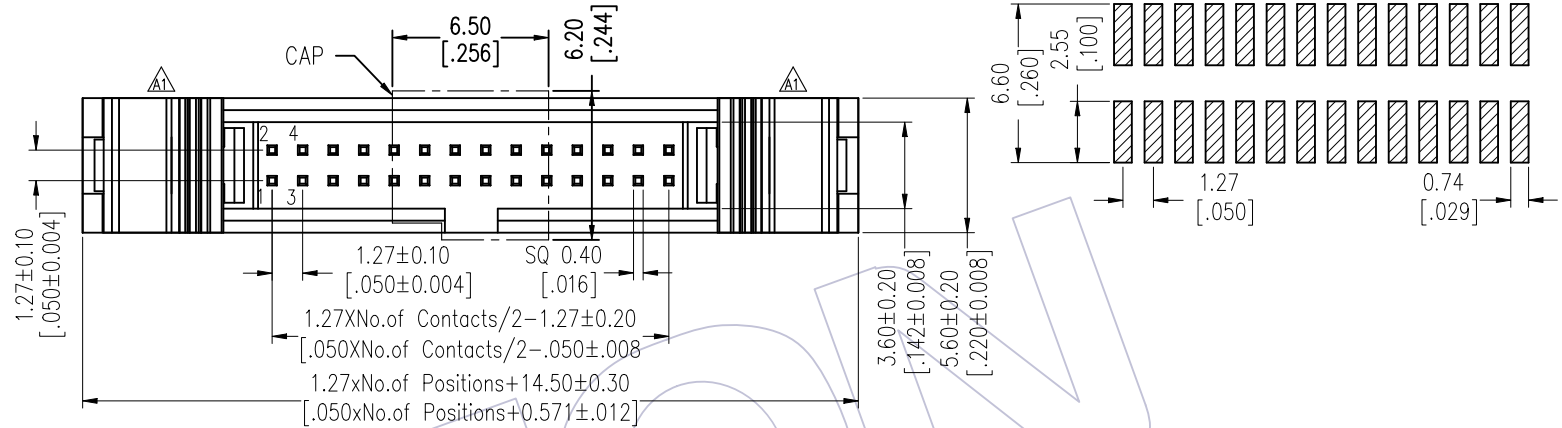


HSF

NOTES:
 Current Rating: 1.0AMP
 Contact Resistance: 20mΩ Max
 Withstand Voltage: 500V AC/DC
 Insulation Resistance: 1000MΩ Min
 Operation Temperature: -40°C to +105°C

Contact Material: Brass
 Contact plating: Au Or Sn over Ni
 Insulator Material: PA9T+33%G.F UL94V-0

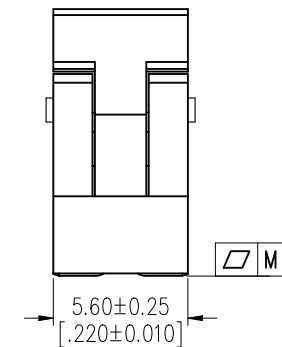
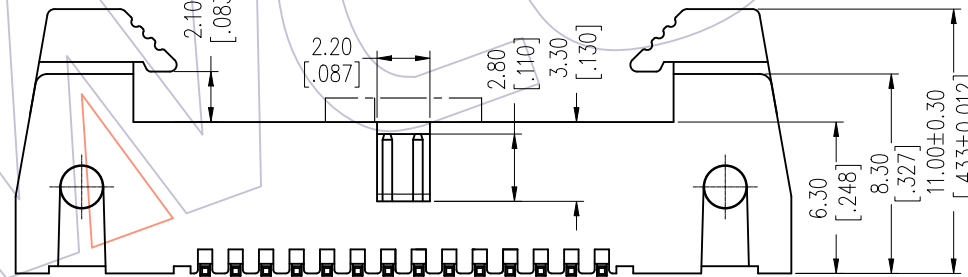
Recommended P.C.B Layout(Top Side)
 (PCB BOARD TOLERANCE±0.05)



Ordering Information

3230-XX M XX B S X 1

No.of Pins	Contact Plating	Insulator Color	Packing
10 34	G0=Gold Flash	B=Black	T=Tube
14 40	G3=10u"Gold		P=Tube+Cap
16 44	G4=15u"Gold		R=Reel+Cap
20 50	G5=30u"Gold		
24 60	S0=Gold Flash/Tin		
26 64	S3=10u"Gold/Tin		
30	S4=15u"Gold/Tin		
	S5=30u"Gold/Tin		
	SN=Tin		



Item	Pitch	Mating
Standard	1.27	5232
Alternate		

PIN(PerRow)	10-20P	24-40P	44-64P
	M	0.10	0.12

REV	DATE	MODIFICATION DESCRIPTION	CHANGE	OPERATION	DRAW	DATE	SCALE	FIT	PART NO.
A2	2023/02/17	Add Flatness	△2	DuYing	DuYing	2023/02/17	UNIT	mm	3230-XXMXXBSX1
A1	2017/01/19	Modify drawing	△1	Ding	CHECK	DATE	SIZE	A4	TITLE: 1.27 EJECTOR HEADER SMT
A0	2012/09/28	NEW	-----		APPROVE	DATE	SHEET	1/1	Customer NO.
				Angle			PROJ.		
				DIM	TOL				

WCON

Http: www.wcon.com

WCON-Dongguan Tel: +86 769 85358920 Fax: +86 769 85358915 E-mail: sales@wcon.com
 WCON-Kunshan Tel: +86 512 57468408 Fax: +86 512 57468468 E-mail: salesks@wcon.com