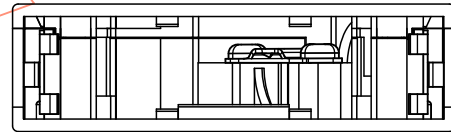
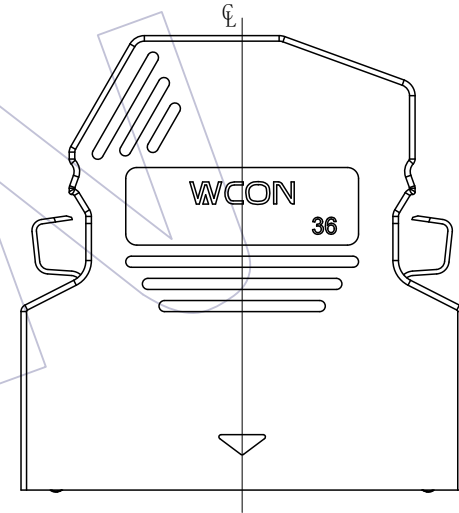
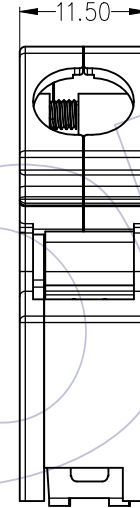
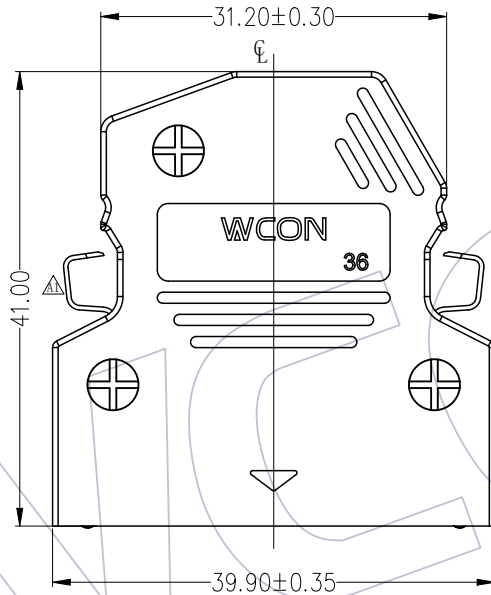
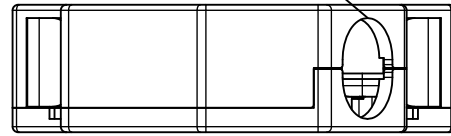


HSF

电线穿孔  
外径 $\phi 10.90\text{MAX}$



### Ordering Information

6329M- 036 S 00 M 0 01 W

NO.of pins 36P  
Contact Plating 00=NO contact  
Shell material M=Metal  
Wcon Internal Code: 01  
Packing 0=BAG  
W=W/T WCON

ITEM	DESCRIPTION	P/N	Q'TY	MATERIALS
(6)	LOWER SHELL	M6329M-036SNI02W	1	锌合金, 镀高磷镍
(5)	SIDE BUCKLE SHRAPNEL	K6328M-SM002 $\Delta$	2	SUS,T=0.40mm
(4)	CLAMP	B6326-020PNI01	1	C5191-H,Plating Ni
(3)	SCREW CLAMP	L6326-SNI01	2	SUS,M2.6,Plating Ni
(2)	SCREW SHELL	L6328M-SNI01	3	SUS,M2.6,Plating Ni
(1)	UPPER SHELL	M6329M-036SNI01W	1	锌合金, 镀高磷镍

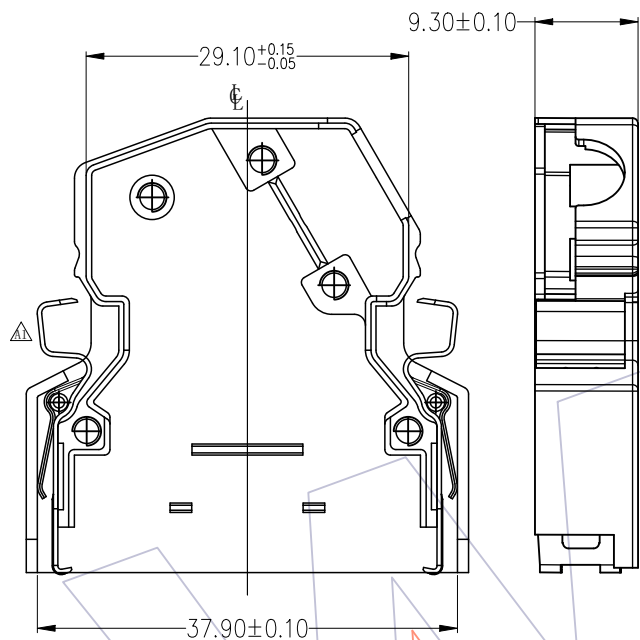
REV	DATE	MODIFICATION DESCRIPTION	CHANGE	OPERATION	DRAW	DATE	SCALE	FIT	PART NO.
A1	2023/10/25	Modify	/	X.X ±0.40	NYF	2023/10/25	UNIT mm		6329M-036S00M01W
A0	2022/03/03	NEW	/	X.XX ±0.25	CHECK	DATE	SIZE A4		TITLE: SCSI ASSEMBLE(36PIN) (6PCS)
				X.XXX ±0.15	APPROVE	DATE	SHEET 1/3		Customer NO.
				Angle ± 3°			PROJ.		
				DIM TOL					

**WCON**  
Http: www.wcon.com

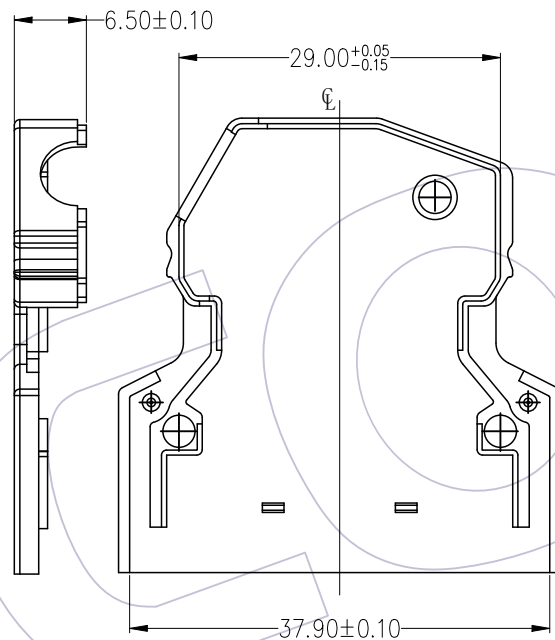
WCON-Dongguan  
Tel: +86 769 85358920  
Fax: +86 769 85358915  
E-mail: sales@wcon.com

WCON-Kunshan  
Tel: +86 512 57468408  
Fax: +86 512 57468468  
E-mail: sales@wcon.com

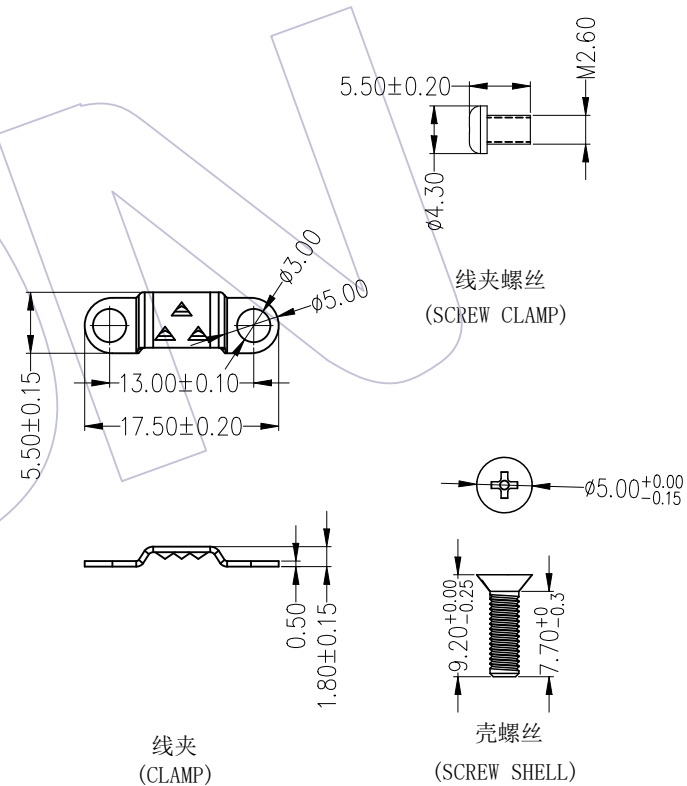
HSF



下壳及侧弹片  
LOWER SHELL &  
SIDE BUCKLE SHRAPNEL



上壳  
UPPER SHELL



线夹  
(CLAMP)

壳螺丝  
(SCREW SHELL)

线夹螺丝  
(SCREW CLAMP)

REV	DATE	MODIFICATION DESCRIPTION	CHANGE	OPERATION		DRAW	DATE	SCALE	FIT	PART NO.
				X.X	±0.40					
A1	2023/10/25	Modify	/	X.XX	±0.25	CHECK	DATE	SIZE	A4	TITLE:
A0	2022/03/03	NEW	/	X.XXX	±0.15	APPROVE	DATE	SHEET	2/3	SCSI ASSEMBLE(36PIN) (6PCS)
				Angle	± 3°			PROJ.	⌀	Customer NO.
				DIM	TOL					

**WCON**  
Http: www.wcon.com

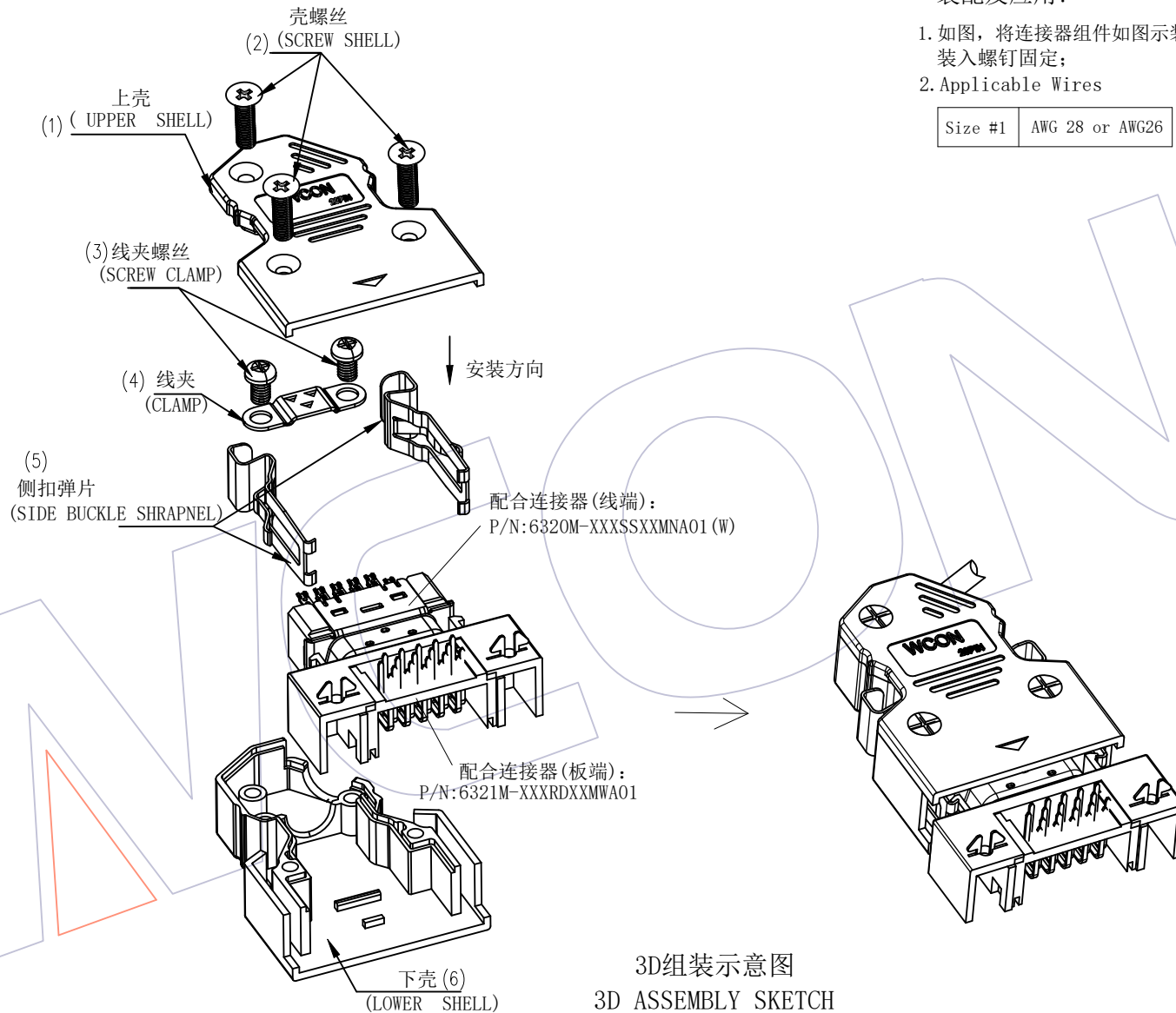
WCON-Dongguan Tel: +86 769 85358920 Fax: +86 769 85358915 E-mail: sales@wcon.com  
WCON-Kunshan Tel: +86 512 57468408 Fax: +86 512 57468468 E-mail: sales@wcon.com

HSF

装配及应用:

1. 如图, 将连接器组件如图所示装入两壳中间, 装入螺钉固定;
2. Applicable Wires

Size #1	AWG 28 or AWG26
---------	-----------------



REV	DATE	MODIFICATION DESCRIPTION	CHANGE	OPERATION	DRAW	DATE	SCALE	FIT	PART NO.
A1	2023/10/25	Modify	/	X.X ±0.40	NYF	2023/10/25	UNIT	mm	6329M-036S00M001W
A0	2022/03/03	NEW	/	X.XX ±0.25	CHECK	DATE	SIZE	A4	TITLE: SCSI ASSEMBLE(36PIN) (6PCS)
				X.XXX ±0.15	APPROVE	DATE	SHEET	3/3	Customer NO.
				Angle ± 3°			PROJ.		
				DIM TOL					

**WCON**  
Http: www.wcon.com

WCON-Dongguan Tel: +86 769 85358920 Fax: +86 769 85358915 E-mail: sales@wcon.com	WCON-Kunshan Tel: +86 512 57468408 Fax: +86 512 57468468 E-mail: salesks@wcon.com
-------------------------------------------------------------------------------------------	--------------------------------------------------------------------------------------------