

HSF

NOTES:

- Electrical Performance:
 - Current Rating: 0.5 A at AC 100V.
 - Withstand Voltage: 250V AC.
 - Contact Resistance: See Table.
 - Insulation Resistance: 1000MΩ Min.
 - Operation Temperature: -55℃to+85℃
- Material:
 - Housing: LCP; Black/Natural; UL94V-0.
 - Contact: Phosphor Bronze, T=0.20mm.
 - Fitting Nail: Brass, T=0.25mm.
 - Metal Cap :Stainless Steel, T=0.20mm.
- Finish:
 - Contact: Gold Plating On Contact Area; Matte Tin Plating On Solder Tails Over Ni.
 - Fitting Nail: Sn Plating Over, Ni Under Plating

Flatness: <80Pins The "M" is 0.12mm MAX
 ≥80Pins The "M" is 0.15mm MAX

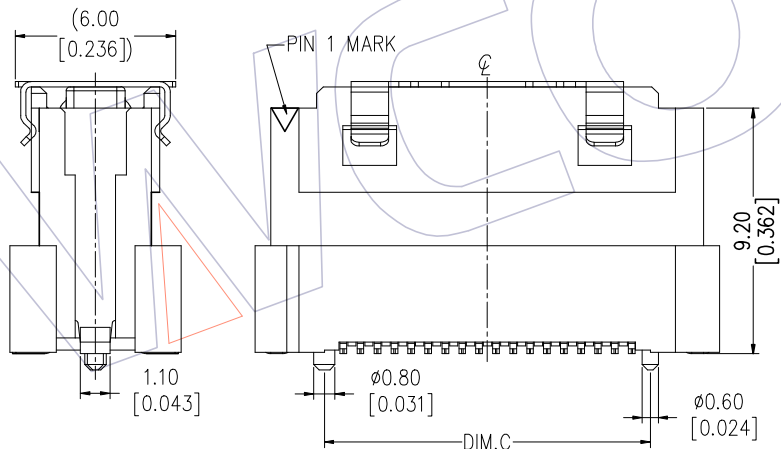
Ordering Information

3660-S XXX - 100 XX R 01

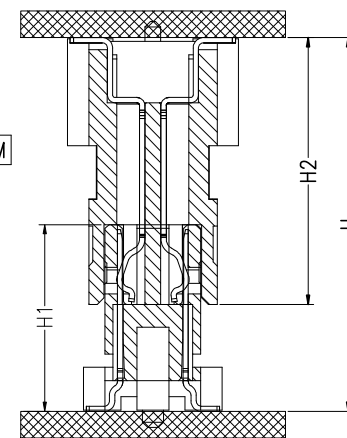
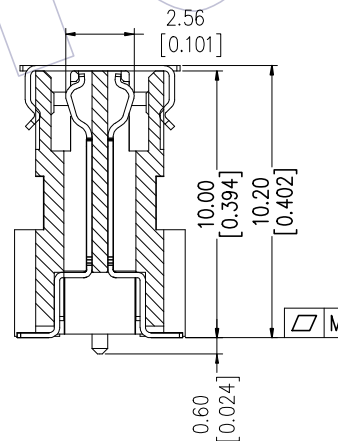
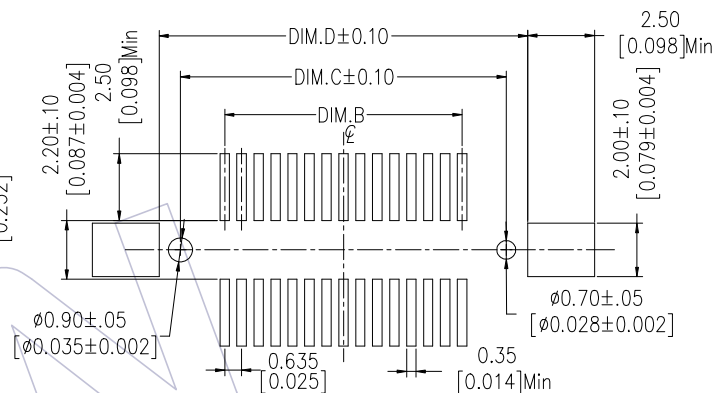
No.of Pins Housing High Contact Plating R=Tape&Reel+CAP

- G1=3u"Gold
- G2=5u"Gold
- G3=10u"Gold/Tin
- S1=3u"Gold/Tin
- S2=5u"Gold/Tin
- S3=10u"Gold/Tin

NO	55.07	53.47	50.165	58.67	160
	48.72	47.12	43.815	52.32	140
	42.30	40.77	37.465	45.97	120
	36.02	34.42	31.115	39.62	100
	32.85	31.25	27.940	36.45	90
29.67	28.07	24.765	33.27	80	
YES	26.50	24.90	21.590	30.10	70
	23.32	21.72	18.415	26.92	60
	20.15	18.55	15.240	23.75	50
	16.97	15.37	12.065	20.57	40
	13.80	12.20	8.890	17.40	30
	10.62	9.02	5.715	14.22	20



Recommended P.C.B Layout (Top Side) (PCB BOARD TOLERANCE ± 0.05)



Assembly

ASS'Y HIGH (H)	Before Test	After Test
12.0~13.0	≤60mΩ	≤80mΩ
14.0~16.0	≤70mΩ	≤90mΩ

HS'G LOCK	DIM.D	DIM.C	DIM.B	DIM.A	PIN NO.	ASS'Y HIGH(H)	PLUG(H1)	SOCKET(H2)
						16.00	9.00	

DRAW	DATE	SCALE	FIT	PART NO.
Ding	2017/07/19	UNIT	mm	3660-SXXX-100XXR01
CHECK	DATE	SIZE	A4	TITLE:
		SHEET	1/1	0.635mm BTB "M" FEMALE SMT TYPE
APPROVE	DATE	PROJ.		Customer NO.

WCON

Http: www.wcon.com

WCON-Dongguan Tel: +86 769 85358920
 WCON-Kunshan Tel: +86 512 57468408
 Fax: +86 769 85358915 Fax: +86 512 57468468
 E-mail: sales@wcon.com E-mail: salesks@wcon.com