

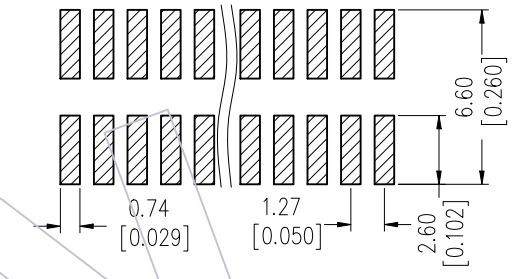
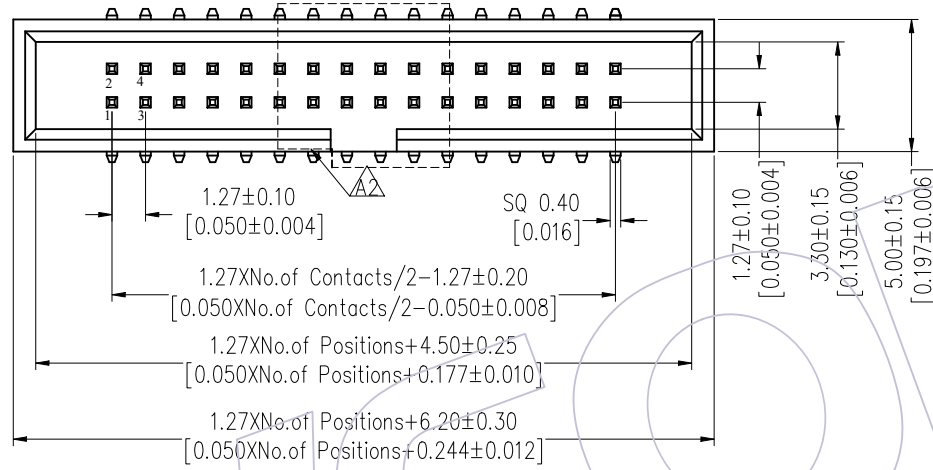
# HSF

**NOTES:**

Current Rating: 1AMP  
 Contact Resistance: 20mΩ max  
 Withstand Voltage: 500V AC/DC  
 Insulation Resistance: 1000MΩ min  
 Operation Temperature: -40℃ to +105℃

Contact Material: Brass  
 Contact plating: Au or Sn Over Ni  
 Insulator Material: PA9T+30%GF(UL94V-0)

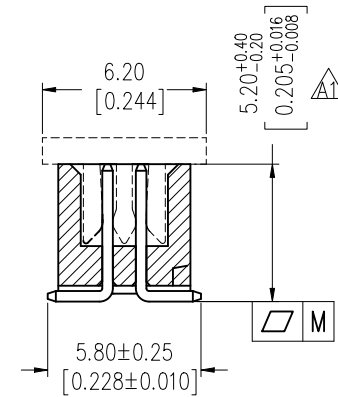
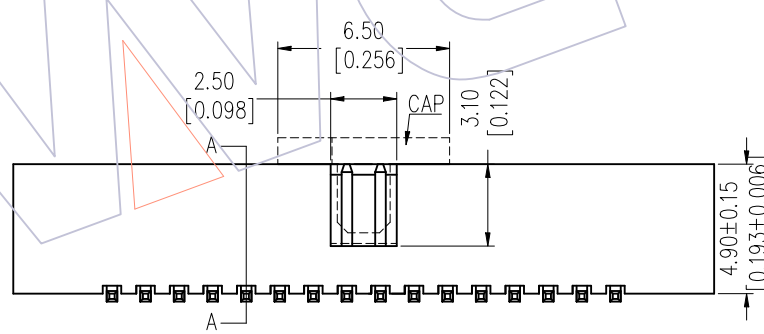
Recommended P. C. B Layout (Top Side)  
 (PCB BOARD TOLERANCE ±0.05)



## Ordering Information

3130- XX M XX B K00 X 1

| No. of Pins | Contact Plating   | Color Insulator | Packing         |
|-------------|-------------------|-----------------|-----------------|
| 10 34       | G0=Gold Flash     | B=Black         | A=Tray          |
| 14 40       | G1=3u"Gold        | U=Blue          | T=Tube          |
| 16 44       | G2=5u"Gold        | W=White         | P=Tube+CAP      |
| 20 50       | G3=10u"Gold       |                 | R=Tape&Reel+CAP |
| 24 60       | G4=15u"Gold       |                 |                 |
| 26 64       | G5=30u"Gold       |                 |                 |
| 30 80       | S0=Gold Flash/Tin |                 |                 |
| 32 100      | S1=3u"Gold/Tin    |                 |                 |
|             | S2=5u"Gold/Tin    |                 |                 |
|             | S3=10u"Gold/Tin   |                 |                 |
|             | S4=15u"Gold/Tin   |                 |                 |
|             | S5=30u"Gold/Tin   |                 |                 |
|             | SN=Tin            |                 |                 |



| A3 | PIN(PerRow) |        |         |
|----|-------------|--------|---------|
|    | 2-20P       | 22-40P | 40-100P |
| M  | 0.10        | 0.12   | 0.15    |

| REV | DATE       | MODIFICATION DESCRIPTION | CHANGE  | OPERATION  | DRAW    | DATE       | SCALE        | FIT | PART NO.                   |
|-----|------------|--------------------------|---------|------------|---------|------------|--------------|-----|----------------------------|
| A3  | 2023/02/15 | Add Flatness             | A3      | DuYing     | DuYing  | 2023/02/15 | UNIT         | mm  | 3130-XXMXXBK00X1           |
| A2  | 2012/08/30 | Modify CAP               | Tsingsn | X.X        | CHECK   | DATE       | inch         | A4  |                            |
| A1  | 2010/09/30 | Change drawing           | ---     | X.XX       | APPROVE | DATE       | SHEET        | 1/1 | 1.27 BOX HEADER SMT H=4.90 |
| A0  | 2008/04/25 | NEW                      | ---     | X.XXX      | DATE    | PROJ.      | Customer NO. |     |                            |
|     |            |                          |         | Angle ± 3° |         |            |              |     |                            |
|     |            |                          |         | DIM TOL    |         |            |              |     |                            |

**WCON**  
 Http: www.wcon.com

WCON-Dongguan      WCON-Kunshan  
 Tel: +86 769 85358920      Tel: +86 512 57468408  
 Fax: +86 769 85358915      Fax: +86 512 57468468  
 E-mail: sales@wcon.com      E-mail: salesks@wcon.com