

# HSF

NOTES:  
 Current Rating: 1.0AMP  $\Delta 3$   
 Contact Resistance: 35m  $\Omega$  Max  
 Withstand Voltage: 500V AC/DC  
 Insulation Resistance: 500M  $\Omega$  Min  
 Operation Temperature: -40°C to +105°C

Contact Material: Phosphor Bronze  
 Contact Plating: Au and Sn over Ni  
 Shell Material: Zinc Alloy  
 Shell Plating: Ni 100u"  
 Fixing Material: Phosphor Bronze  
 Fixing Plating: Sn over Ni  
 Housing Material: PBT+30%G.F(UL94V-0)  
 Cover Material: PBT+30%G.F(UL94V-0)

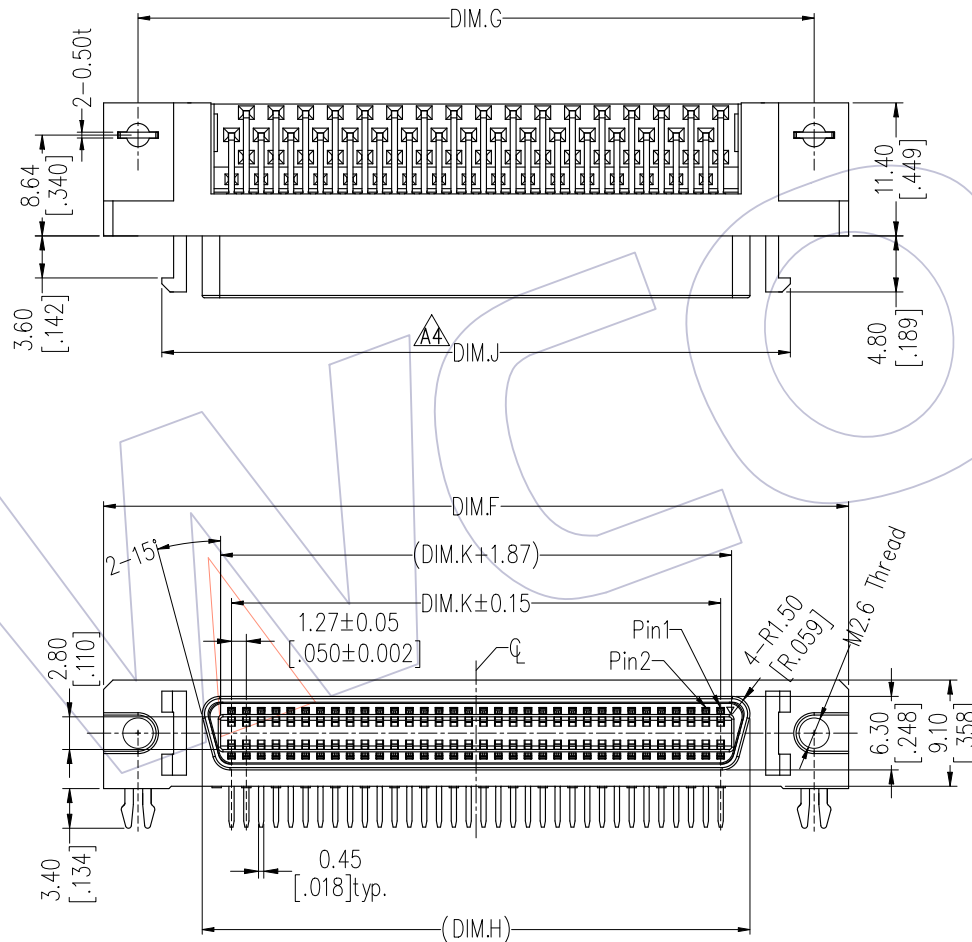
Recommended soldering process:  
 Wave Soldering, Peak temperature: 260°C, 5S

## Ordering Information

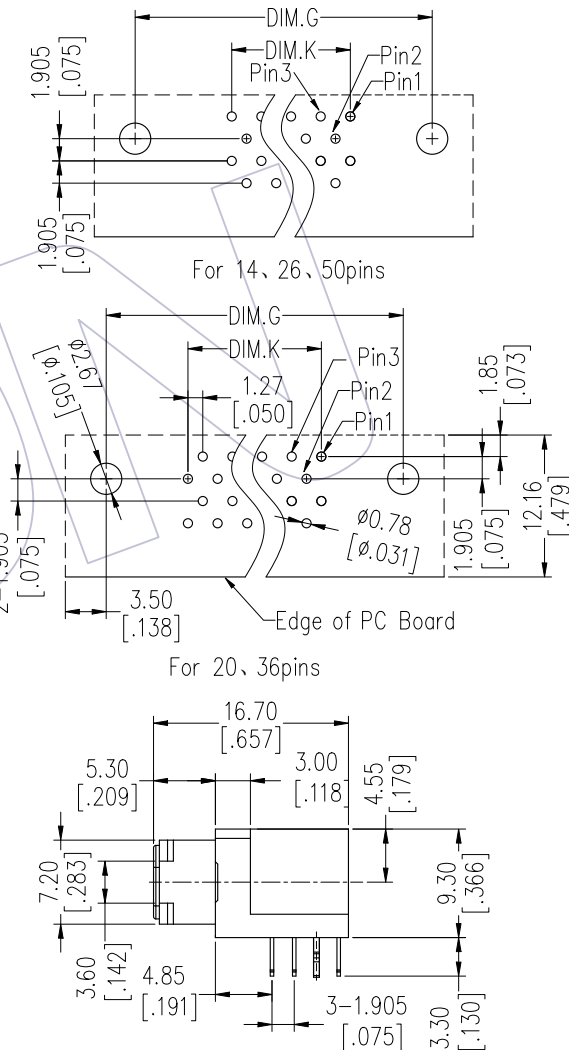
6321-0 XX R D SX M W A 02

No. of Pins      Contact Plating      A=Tray  
 14P 36P      S1=3u"Gold/Tin      S3=10u"Gold/Tin  
 20P 50P      S4=15u"Gold/Tin      S5=30u"Gold/Tin  
 26P

$\Delta 4$	$\Delta 3$				
42.42	30.48	35.40	46.50	52.40	50
33.53	21.59	26.51	37.61	43.51	36
27.18	15.24	20.16	31.26	37.16	26
23.37	11.43	16.35	27.45	33.35	20
19.56	7.62	12.54	23.64	29.54	14
DIM.J	DIM.K	DIM.H	DIM.G	DIM.F	PIN数



Recommended P.C.B Layout (Top Side)  
 (PCB BOARD TOLERANCE ±0.05)



A4	2022/11/08	Modify DIM.J	PAN	OPERATION	DRAW	DATE	SCALE	FIT	PART NO.
A3	2020/12/21	Correct Current Rating to 1.0AMP	XSR	x.x ±0.40	PAN	2022/11/08	UNIT	mm	6321-0XXRDSXMWA02
A2	2016/06/28	Move 68 PIN	XSR	x.xx ±0.25	CHECK	DATE	SIZE	A4	TITLE:
A0	2013/08/20	NEW	-----	x.xxx ±0.15	APPROVE	DATE	SHEET	1/1	1.27PITCH CEN TYPE SCSI FEMALE DIP (鱼叉横向)
REV	DATE	MODIFICATION DESCRIPTION	CHANGE	Angle ± 3°	APPROVE	DATE	PROJ.	Customer NO.	
				DIM TOL					

# WCON

Http: www.wcon.com

WCON-Dongguan      WCON-Kunshan  
 Tel: +86 769 85358920      Tel: +86 512 57468408  
 Fax: +86 769 85358915      Fax: +86 512 57468468  
 E-mail: sales@wcon.com      E-mail: salesks@wcon.com