

# HSF

**NOTES:**

Rated Current: 3.0AMP.  
 Applicable  
 Wire: CHFUS0.22sq, AVSS0.3sq, CHFUS0.35sq.  
 Operation Temperature: -40°C to +85°C

Contact Material: Copper;  
 Contact Plating:  
 80u"Bright Sn overall;  
 50u"Ni underplating overall;

**Attention:**

1.the product has two sizes of terminals  
 the main difference is the choice of wire

**72230 - M T P SN 0 X**

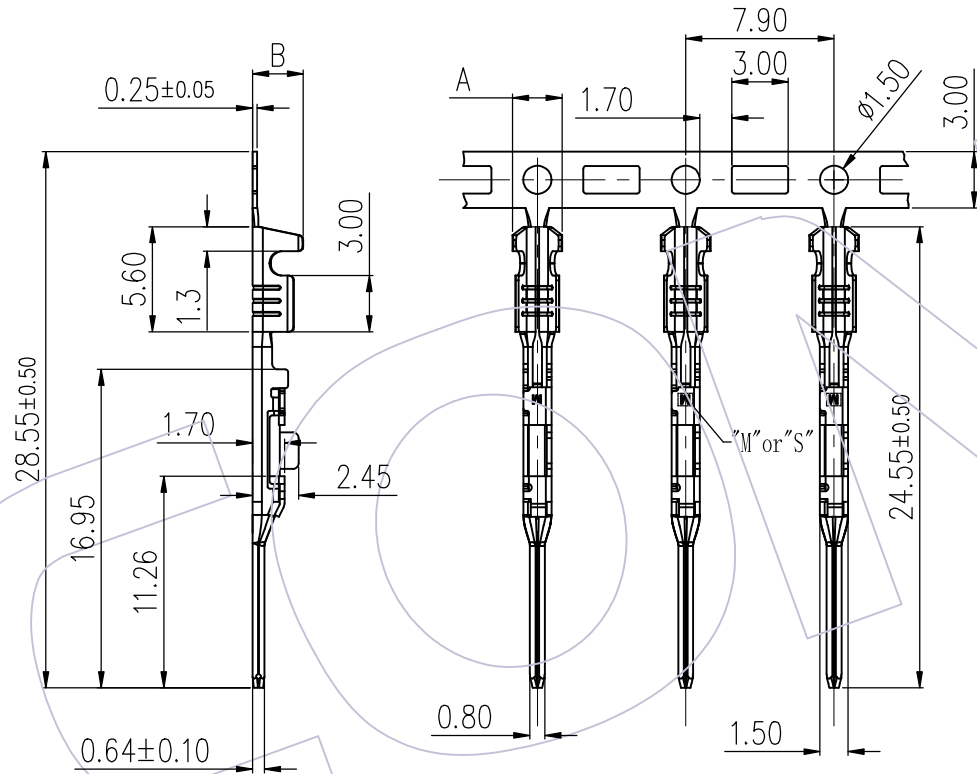
M=Male

T=Terminal

Material  
 P=C5191

Plating  
 SN=Bright Sn

Wcon Internal Code



72230-MTX XX 02	"S"端	2.60	2.60	SN 100u"
72230-MTX XX 01	"M"端	2.65	2.70	SN 100u"
P/N	ITEM	DIM A	DIM B	FINISH

REV	DATE	MODIFICATION DESCRIPTION	CHANGE	OPERATION	DRAW	DATE	SCALE	Fit	PART NO.
1	2023/06/25	Update Drawing	Morris	x. ±0.30	Morris	2023/06/25	UNIT mm		72230-MTP XX 0X
AO	2020/06/25	NEW	-----	x.X ±0.30	CHECK	DATE	SIZE A4		TITLE: 2.2*3.0mm Auto-Conn, Male, Crimp Terminal
				x.XX ±0.30	APPROVE	DATE	SHEET 1/2		Customer NO.
				Angle ± 3°			PROJ.		
				DIM TOL					

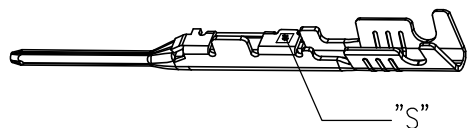
# WCON

Http: [www.wcon.com](http://www.wcon.com)

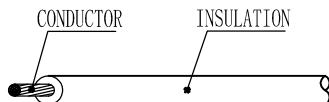
WCON-Dongguan  
 Tel: +86 769 85358920  
 Fax: +86 769 85358915  
 E-mail: [sales@wcon.com](mailto:sales@wcon.com)

WCON-Kunshan  
 Tel: +86 512 57468408  
 Fax: +86 512 57468468  
 E-mail: [salesks@wcon.com](mailto:salesks@wcon.com)

HSF

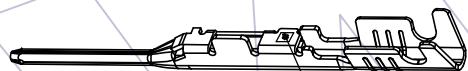


"S"

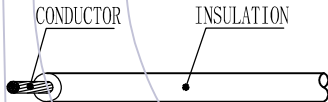


S" TYPE TERMINAL APPLICABLE WIRE TECHNICAL PARAMETERS:

- 1. CONDUCTOR SIZE( mm<sup>2</sup>): 0.22 to 0.35 .
- 2. INSULATION OD(mm): 1.30±0.10 to 1.50±0.10 .
- 3. WIRE DIAMETER:22AWG, 24AWG

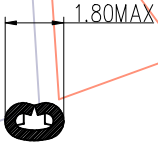


"M"

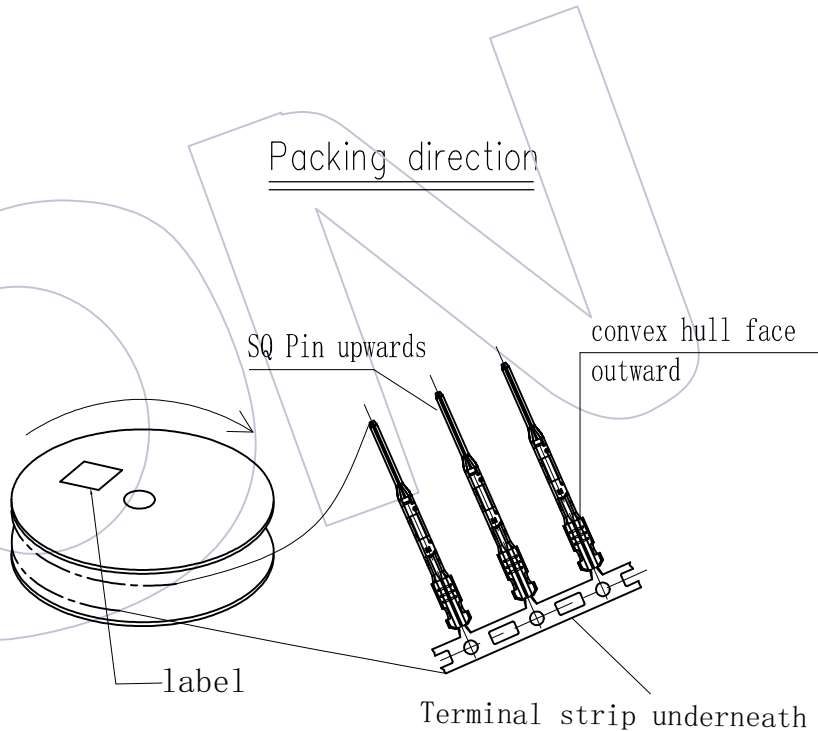


M" TYPE TERMINAL APPLICABLE WIRE TECHNICAL PARAMETERS:

- 1:CONDUCTOR SIZE( mm<sup>2</sup>): 0.50 to 0.75
- 2:INSULATION OD(mm): 1.60±0.10 to 1.80±0.10
- 3. WIRE DIAMETER:18AWG, 20AWG



压接示意  
比例:2/1



REV	DATE	MODIFICATION DESCRIPTION	CHANGE	OPERATION	DRAW	DATE	SCALE	Fit	PART NO.
1	2023/06/25	Update Drawing	Morris	x. ±0.30	Morris	2023/06/25	UNIT	mm	72230-MTP XX 0X
AO	2021/06/25	NEW	-----	x.X ±0.30	CHECK	DATE	SIZE	A4	TITLE: 2.2 * 3.0mm Auto-Conn, Male ,Crimp Terminal
				x.XX ±0.30			SHEET	2/2	Customer NO.
				Angle ± 3°	APPROVE	DATE	PROJ.		
				DIM TOL					

**WCON**

Http: www.wcon.com

WCON-Dongguan Tel: +86 769 85358920 Fax: +86 769 85358915 E-mail: sales@wcon.com	WCON-Kunshan Tel: +86 512 57468408 Fax: +86 512 57468468 E-mail: salesks@wcon.com
---	--