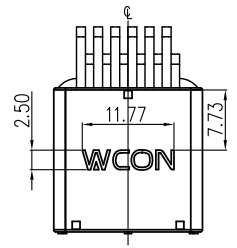
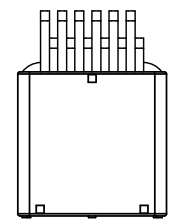


**HSF**

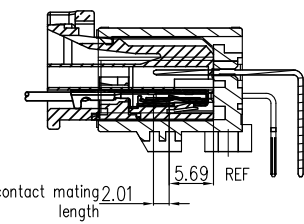
NOTES:  
 Rated Current: 4.0AMP  
 Contact Resistance: Initial: 15mΩ Max.  
                                 Final: 25mΩ Max.  
 Withstand Voltage: 1000V  
 Insulation Resistance: 100MΩ Min.  
 Operation Temperature: -40°C to +105°C  
 Contact Material:  
 copper alloy  
 Contact Plating:  
 80u" Bright Sn overall;  
 50u" Ni underplating overall;  
 Insulator Body Material:  
 PPS,G,F, UL94V-0 BLACK/GRAY  
 Recommended process:  
 IR Reflow Solder, Peak temperature: 260±5°C, 5S;



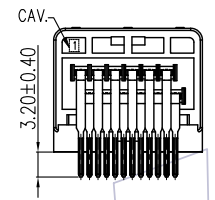
W/T WCON



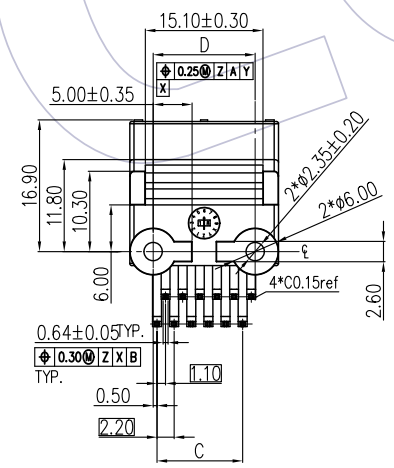
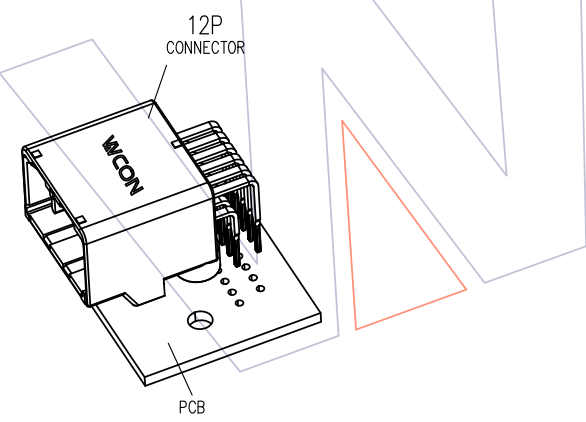
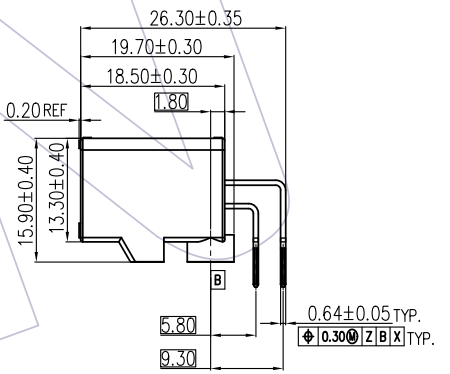
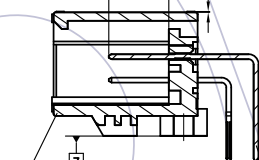
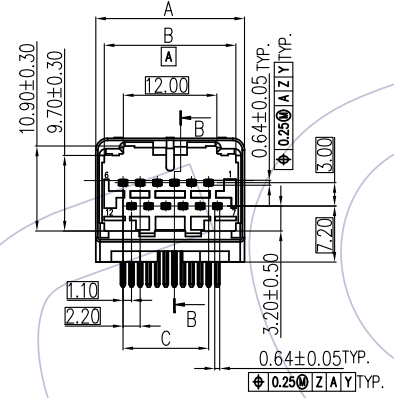
W/O WCON



Mated Drawing



CSV



40P	49.9±0.30	47.7±0.30	41.8±0.40	43.9±0.30
36P	45.5±0.30	43.3±0.30	37.4±0.40	39.5±0.30
32P	41.1±0.30	38.9±0.30	33.0±0.40	35.1±0.30
28P	36.7±0.30	34.5±0.30	28.6±0.40	30.7±0.30
24P	32.3±0.30	30.1±0.30	24.2±0.40	26.3±0.30
20P	27.9±0.30	25.7±0.30	19.8±0.40	21.9±0.30
16P	23.5±0.30	21.3±0.30	15.4±0.30	17.5±0.30
12P	19.1±0.30	16.9±0.30	11.0±0.30	13.1±0.30
PIN数	A	B	C	D

OPERATION	DRAW	DATE	SCALE	Fit	PART NO. 72230-2MRXXXFXSNT1(W)
x. ±0.60	Morris	2021/09/03	UNIT	mm [inch]	
x.x ±0.40	CHECK	DATE	SIZE	A4	TITLE: 2.2*3.0mm Auto-Conn Dual Row, Male, R/A Type
x.xx ±0.25	APPROVE	DATE	SHEET	1/4	
Angle ± 3°			PROJ.		Customer NO.
DIM TOL					

AO	2021/09/03	NEW	Morris
REV	DATE	MODIFICATION DESCRIPTION	CHANGE

**WCON**

Http: www.wcon.com

WCON-Dongguan Tel: +86 769 85358920 Fax: +86 769 85358915 E-mail: sales@wcon.com	WCON-Kunshan Tel: +86 512 57468408 Fax: +86 512 57468468 E-mail: salesks@wcon.com
---	--

H

H

HSF

### Ordering Information

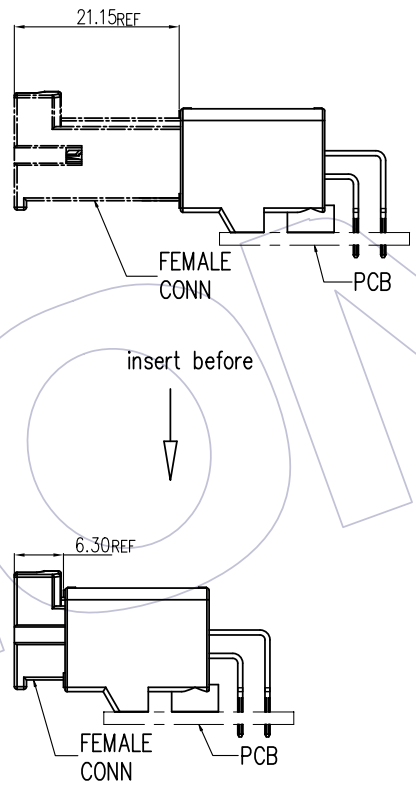
72230-2 MR XXX F X SN B T 1 W

Male  
R/A Type  
No. of Pins  
012=12 Pin  
036=36 Pin  
040=40 Pin

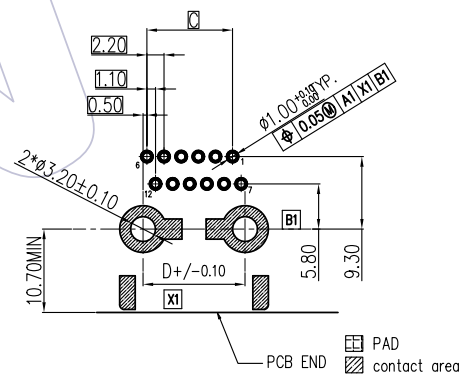
Plastic Material:  
F=PPS

W=W/T WCON  
Blank=W/O WCON  
Wcon Internal Code  
Package  
T=Tube  
Non-watertight  
Contact Plating:  
Sn Over Ni  
Colour: B=Black  
G=GRAY

Alignment diagram



Recommended P.C.B Layout (Top Side)  
T=1.60(PCB BOARD TOLERANCE±0.05)  
基准面为正面



Matching products: 72230-2FCXXXAX00BA1(W)

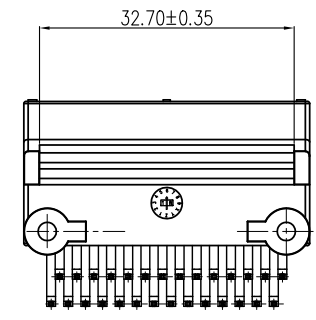
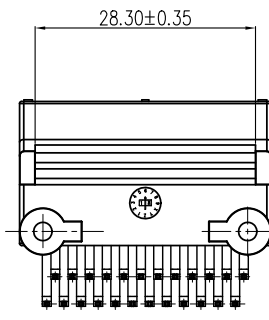
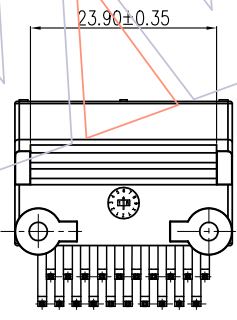
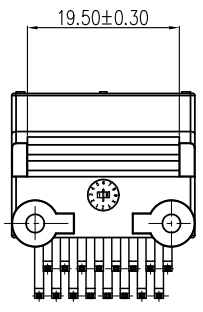
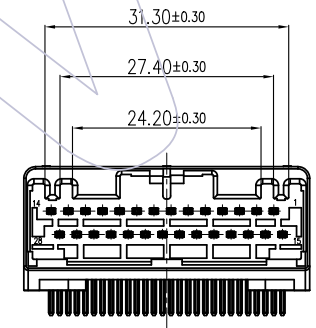
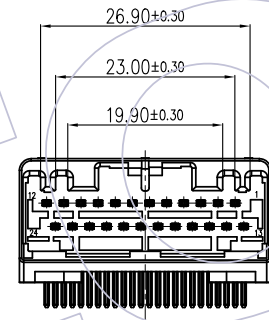
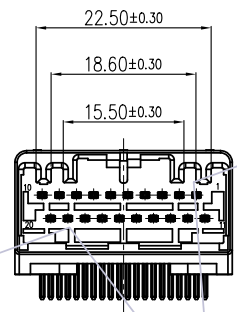
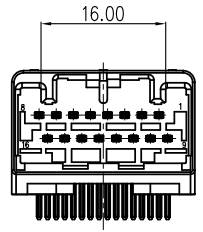
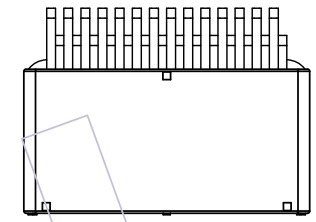
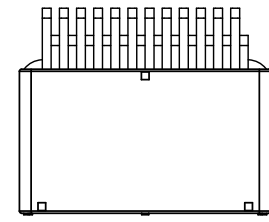
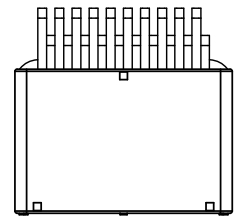
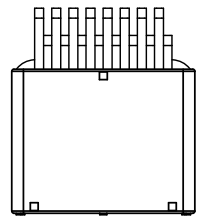
				OPERATION	DRAW	DATE	SCALE	Fit	PART NO.
				x. ±0.60	Morris	2021/09/03	UNIT	mm [inch]	72230-2MRXXXFXSNBT1(W)
				x.x ±0.40	CHECK	DATE	SIZE	A4	TITLE:
				x.xx ±0.25	APPROVE	DATE	SHEET	2/4	2.2*3.0mm Auto-Conn Dual Row, Male, R/A Type
AO	2021/09/03	NEW	Morris	Angle ± 3°			PROJ.	⊕	Customer NO.
REV	DATE	MODIFICATION DESCRIPTION	CHANGE	DIM TOL					

**WCON**  
Http: www.wcon.com

WCON-Dongguan  
Tel: +86 769 85358920  
Fax: +86 769 85358915  
E-mail: sales@wcon.com

WCON-Kunshan  
Tel: +86 512 57468408  
Fax: +86 512 57468468  
E-mail: salesks@wcon.com

HSF



16P

20P

24P

28P

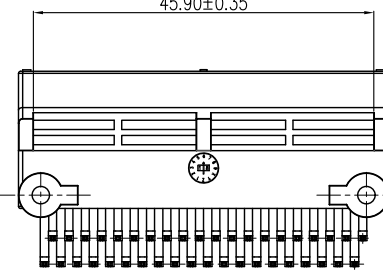
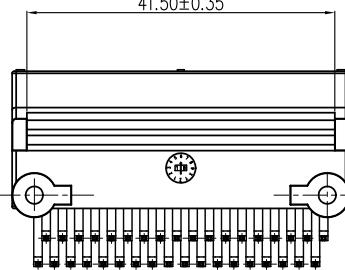
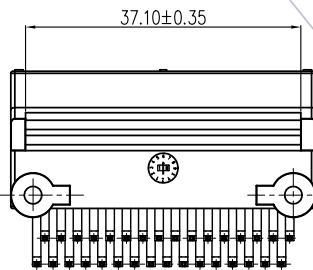
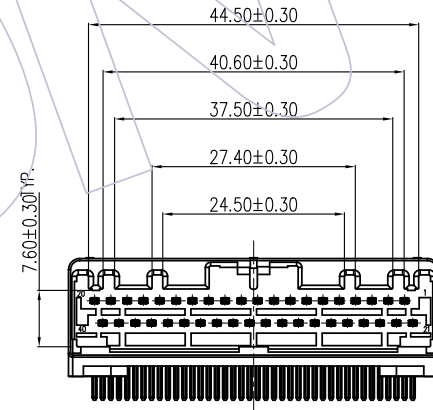
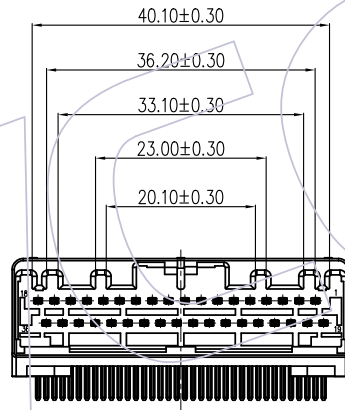
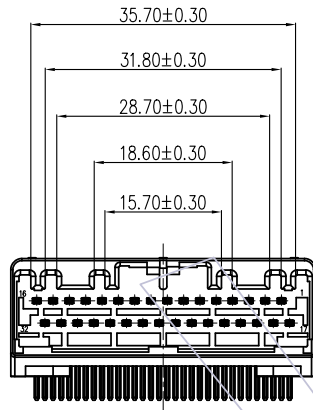
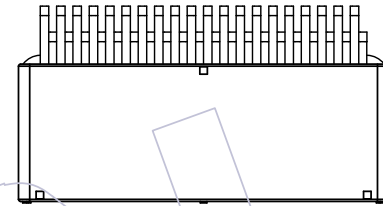
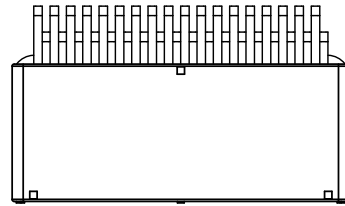
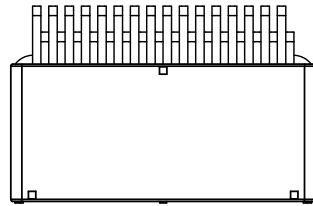
				OPERATION	DRAW	DATE	SCALE	Fit	PART NO. 72230-2MRXXFXSNT1(W)
				x. ±0.60	Morris	2021/09/03	UNIT	mm [inch]	
				x.X ±0.40	CHECK	DATE	SIZE	A4	TITLE: 2.2*3.0mm Auto-Conn Dual Row, Male, R/A Type
A0	2021/09/03	NEW	Morris	x.XX ±0.25	APPROVE	DATE	SHEET	3/4	Customer NO.
REV	DATE	MODIFICATION DESCRIPTION	CHANGE	Angle ± 3°			PROJ.		
				DIM TOL					

**WCON**  
 Http: www.wcon.com

WCON-Dongguan  
 Tel: +86 769 85358920  
 Fax: +86 769 85358915  
 E-mail: sales@wcon.com

WCON-Kunshan  
 Tel: +86 512 57468408  
 Fax: +86 512 57468468  
 E-mail: salesks@wcon.com

HSF



32P

36P

40P

				OPERATION	DRAW	DATE	SCALE	Fit	PART NO. 72230-2MRXXFXSNT1(W)	<b>WCON</b> Http: www.wcon.com
				x. ±0.60	Morris	2021/09/03	UNIT	mm [inch]		
				x.x ±0.40	CHECK	DATE	SIZE	A4	TITLE: 2.2*3.0mm Auto-Conn Dual Row, Male, R/A Type	WCON-Dongguan Tel: +86 769 85358920 Fax: +86 769 85358915 E-mail: sales@wcon.com
A0	2021/09/03	NEW	Morris	x.xx ±0.25	APPROVE	DATE	SHEET	4/4	Customer NO.	
REV	DATE	MODIFICATION DESCRIPTION	CHANGE	DIM TOL			PROJ.			