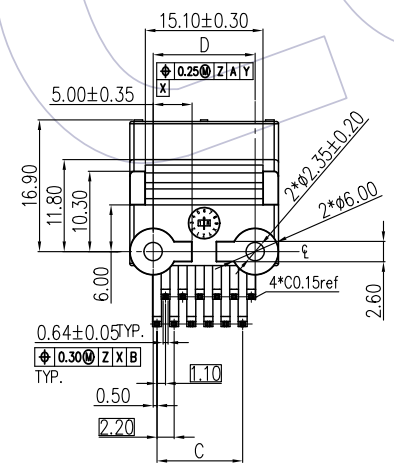
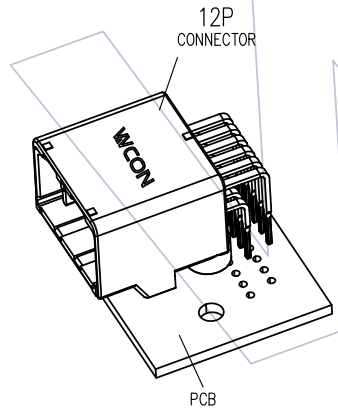
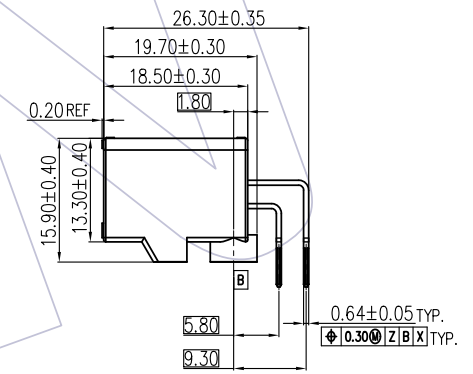
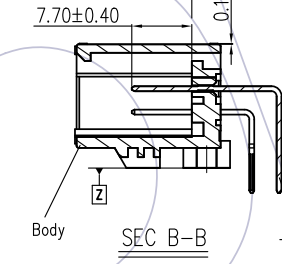
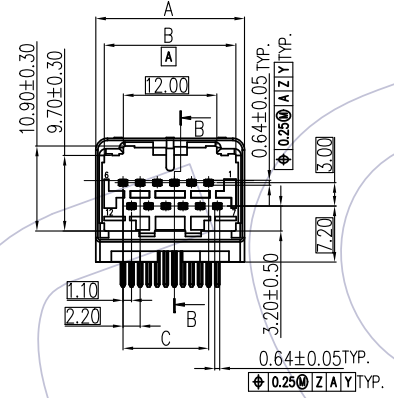
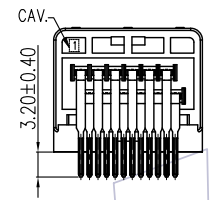
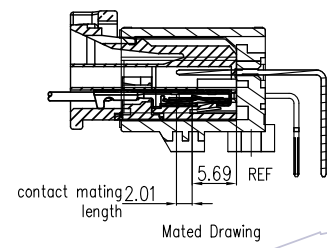
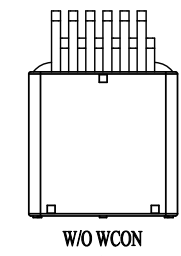
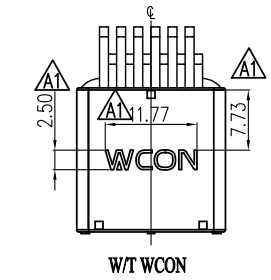


**HSF**

**NOTES:**

- Rated Current: 4.0AMP
- Contact Resistance: Initial: 15mΩ Max.  
Final: 25mΩ Max.
- Withstand Voltage: 1000V
- Insulation Resistance: 100MΩ Min.
- Operation Temperature: -40℃ to +105℃
- Contact Material: copper alloy
- Contact Plating: 80u" Bright Sn overall;  
50u" Ni underplating overall;
- Insulator Body Material: PBT,G.F, UL94V-0 BLACK/GRAY
- Recommended process: Wave Solder, Peak temperature: 260±5℃, 5S;



40P	49.9±0.30	47.7±0.30	41.8±0.40	43.9±0.30
36P	45.5±0.30	43.3±0.30	37.4±0.40	39.5±0.30
32P	41.1±0.30	38.9±0.30	33.0±0.40	35.1±0.30
28P	36.7±0.30	34.5±0.30	28.6±0.40	30.7±0.30
24P	32.3±0.30	30.1±0.30	24.2±0.40	26.3±0.30
20P	27.9±0.30	25.7±0.30	19.8±0.40	21.9±0.30
16P	23.5±0.30	21.3±0.30	15.4±0.30	17.5±0.30
12P	19.1±0.30	16.9±0.30	11.0±0.30	13.1±0.30
PIN数	A	B	C	D

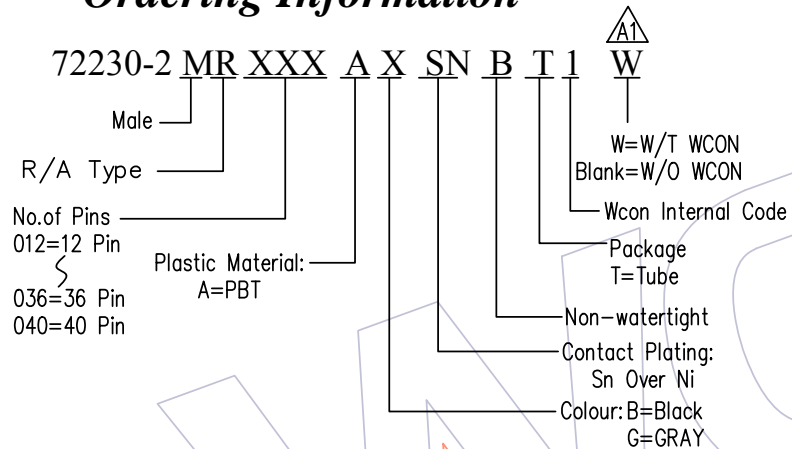
REV	DATE	MODIFICATION DESCRIPTION	CHANGE	OPERATION	DRAW	DATE	SCALE	Fit	PART NO.
A2	2021/09/03	Modify Operation Temperature&Update drawing	Morris	X.	±0.60	2021/09/03	UNIT	mm [inch]	72230-2MRXXXAXSNBT1(W)
A1	2021/03/17	ADD W/T WCON SPEC.&P/N	XSR	X.X	±0.40	DATE	SIZE	A4	TITLE: 2.2*3.0mm Auto-Conn Dual Row, Male, R/A Type
A0	2021/02/26	NEW	Morris	X.XX	±0.25	DATE	SHEET	1/4	Customer NO.
				Angle	± 3°		PROJ.		
				DIM	TOL				

**WCON**

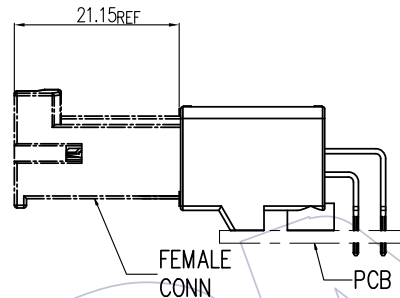
Http: www.wcon.com  
 WCON-Dongguan Tel: +86 769 85358920 Fax: +86 769 85358915 E-mail: sales@wcon.com  
 WCON-Kunshan Tel: +86 512 57468408 Fax: +86 512 57468468 E-mail: salesks@wcon.com

HSF

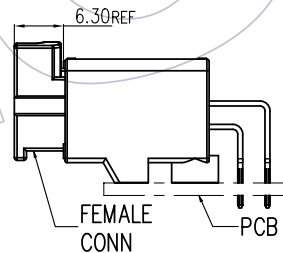
### Ordering Information



Alignment diagram

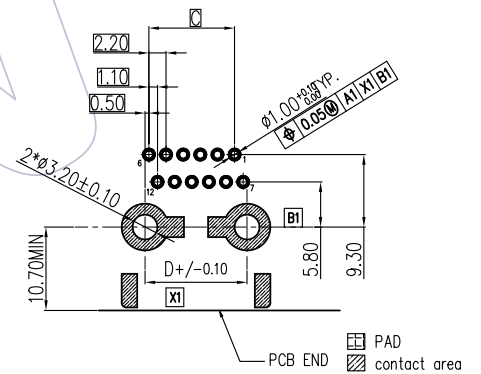


insert before



after inserting

Recommended P.C.B Layout (Top Side)  
T=1.60(PCB BOARD TOLERANCE $\pm$ 0.05)  
基准 $\triangle$ 为正面



Matching products: 72230-2FCXXXAX00BA1(W)  $\triangle$  A1

REV	DATE	MODIFICATION DESCRIPTION	CHANGE	OPERATION	DRAW	DATE	SCALE	Fit	PART NO.
A2	2021/09/03	Modify Operation Temperature&Update drawing	Morris	X.	$\pm$ 0.60	2021/09/03	UNIT	mm [inch]	72230-2MRXXXAXSNBT1(W) $\triangle$ A1
A1	2021/03/17	ADD W/T WCON SPEC.&P/N	XSR	X.X	$\pm$ 0.40	DATE	SIZE	A4	TITLE: 2.2*3.0mm Auto-Conn Dual Row, Male, R/A Type
A0	2021/02/26	NEW	Morris	X.XX	$\pm$ 0.25	DATE	SHEET	2/4	Customer NO.
				Angle	$\pm$ 3°		PROJ.	$\phi$ $\leftarrow$	
				DIM	TOL				

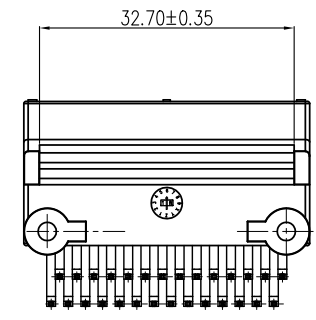
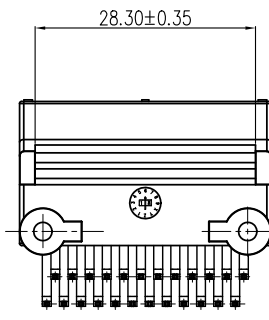
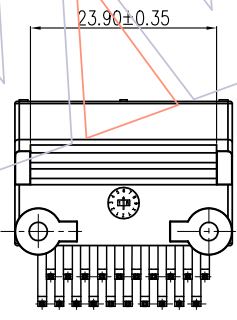
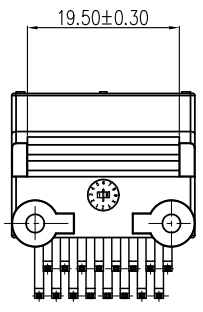
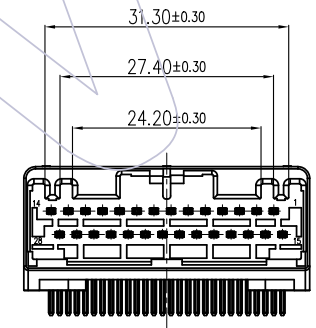
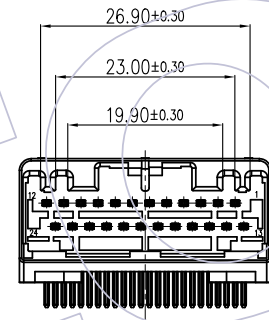
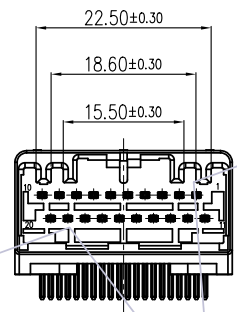
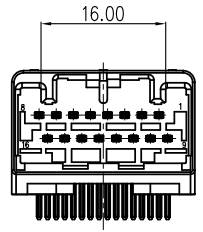
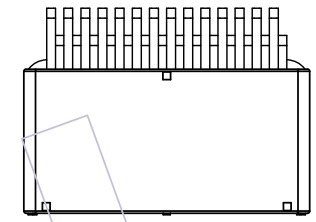
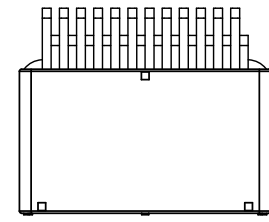
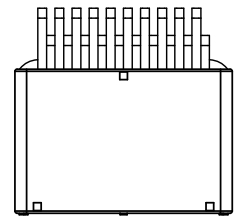
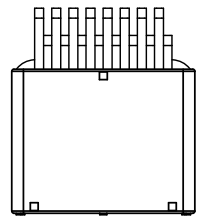
**WCON**

Http: www.wcon.com

WCON-Dongguan Tel: +86 769 85358920 Fax: +86 769 85358915 E-mail: sales@wcon.com

WCON-Kunshan Tel: +86 512 57468408 Fax: +86 512 57468468 E-mail: salesks@wcon.com

HSF



16P

20P

24P

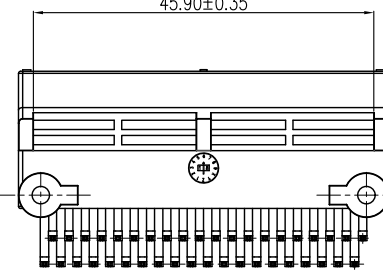
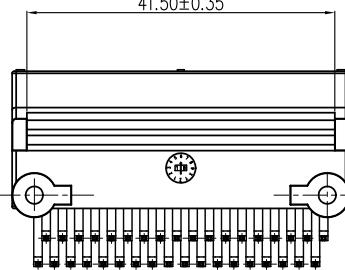
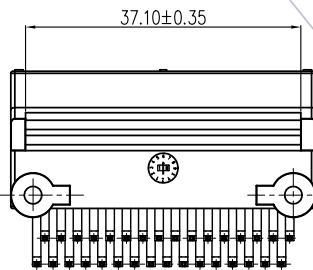
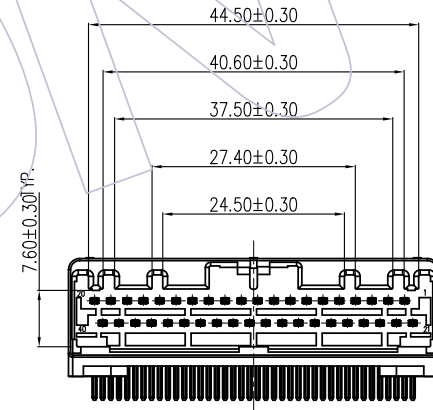
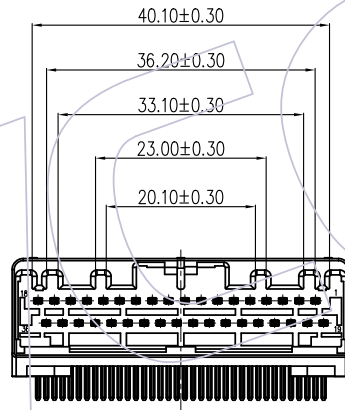
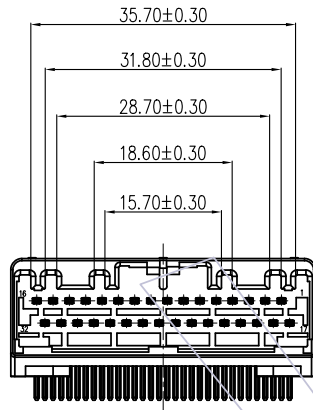
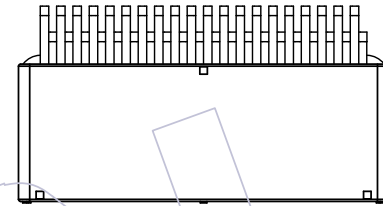
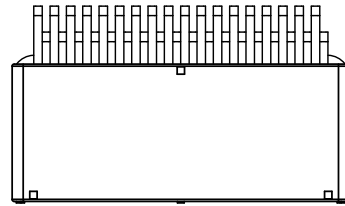
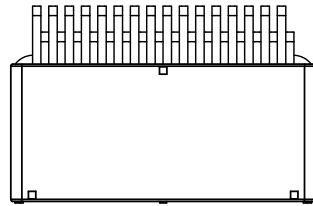
28P

REV	DATE	MODIFICATION DESCRIPTION	CHANGE	OPERATION	DRAW	DATE	SCALE	Fit	PART NO.
A2	2021/09/03	Modify Operation Temperature&Update drawing	Morris	X.    ±0.60	Morris	2021/09/03	UNIT	mm [inch]	72230-2MRXXXAXSNBT1(W) <sub>AT</sub>
A1	2021/03/17	ADD W/T WCON SPEC.&P/N	XSR	X.X    ±0.40	CHECK	DATE	SIZE	A4	TITLE: 2.2*3.0mm Auto-Conn Dual Row, Male, R/A Type
A0	2021/02/26	NEW	Morris	Angle ± 3°	APPROVE	DATE	SHEET	3/4	Customer NO.
				DIM    TOL			PROJ.		

**WCON**  
 Http: www.wcon.com

WCON-Dongguan    WCON-Kunshan  
 Tel: +86 769 85358920    Tel: +86 512 57468408  
 Fax: +86 769 85358915    Fax: +86 512 57468468  
 E-mail: sales@wcon.com    E-mail: salesks@wcon.com



HSF



32P

36P

40P

REV	DATE	MODIFICATION DESCRIPTION	CHANGE	DIM	TOL	OPERATION	DRAW	DATE	SCALE	Fit	PART NO.	 Http: www.wcon.com WCON-Dongguan Tel: +86 769 85358920 WCON-Kunshan Tel: +86 512 57468408 Fax: +86 769 85358915 E-mail: sales@wcon.com
A2	2021/09/03	Modify Operation Temperature&Update drawing	Morris	X.	±0.60		Morris	2021/09/03	UNIT	mm [inch]	72230-2MRXXXAXSNT1(W) 	
A1	2021/03/17	ADD W/T WCON SPEC.&P/N	XSR	X.X	±0.40	CHECK		DATE	SIZE	A4	TITLE: 2.2*3.0mm Auto-Conn Dual Row, Male, R/A Type	
A0	2021/02/26	NEW	Morris	X.XX	±0.25	APPROVE		DATE	SHEET	4/4	Customer NO.	