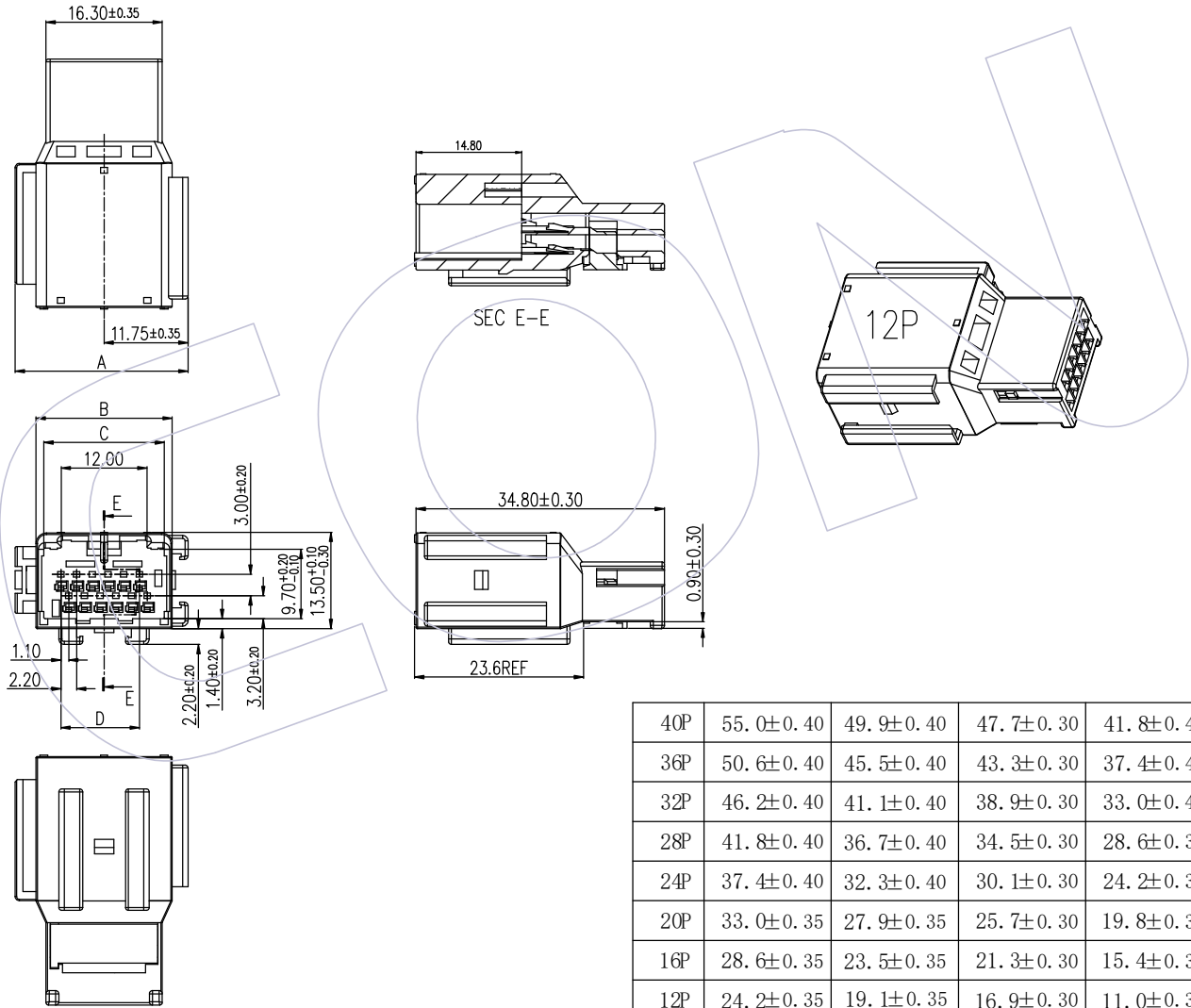


HSF

NOTES:
 Rated Current: 3.0AMP.
 Contact Resistance: Initial:
 15mΩ Max.Final: 25mΩ Max.
 Operation Temperature: -40℃ to +105℃
 Insulator Body Material: NORYL N300X UL94V-0 Gray/Black
 Cover Material: PBT UL94V-0 Black

Attention:
 1.This product does not contain terminals and wires.
 2.The product consists of housing and cover



Ordering Information

72230-2 M C XXX J X 00 B A 1

Male
 Crimp Type
 No.of Pins
 012=12 Pin
 036=36 Pin
 040=40 Pin

Plastic Material:
 J=NORYL N300X

Wcon Internal Code
 Package
 A=Tray
 B=Not WATERPROFF
 Terminal:
 00=Wo/terminal
 Colour: B=Black
 G=GRAY

40P	55.0±0.40	49.9±0.40	47.7±0.30	41.8±0.40
36P	50.6±0.40	45.5±0.40	43.3±0.30	37.4±0.40
32P	46.2±0.40	41.1±0.40	38.9±0.30	33.0±0.40
28P	41.8±0.40	36.7±0.40	34.5±0.30	28.6±0.30
24P	37.4±0.40	32.3±0.40	30.1±0.30	24.2±0.30
20P	33.0±0.35	27.9±0.35	25.7±0.30	19.8±0.30
16P	28.6±0.35	23.5±0.35	21.3±0.30	15.4±0.30
12P	24.2±0.35	19.1±0.35	16.9±0.30	11.0±0.30
PIN数	A	B	C	D

REV	DATE	MODIFICATION DESCRIPTION	CHANGE	OPERATION	DRAW	DATE	SCALE	Fit	PART NO.
1	2023/06/03	Update Coding Explanation & Drawing	Morris	x. ±0.60	Morris	2021/07/26	UNIT	mm	72230-2MC OXX J X 00 BA1
AO	2021/07/26	NEW	-----	x.X ±0.40	CHECK	DATE	SIZE	A4	TITLE: 2.2*3.0mm Auto-Conn, Dual Row, Male ,Crimp TYPE ,W/C
				x.XX ±0.25	APPROVE	DATE	SHEET	1/4	Customer NO.
				Angle ± 3°			PROJ.		
				DIM TOL					

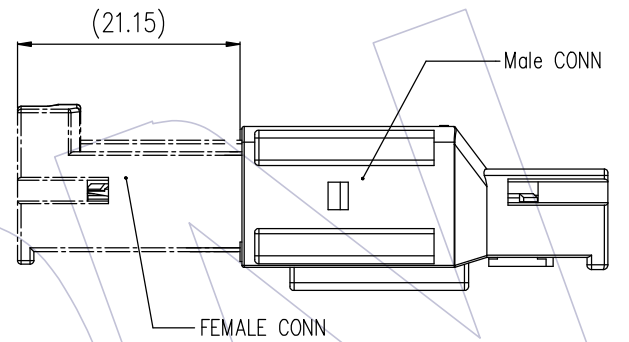
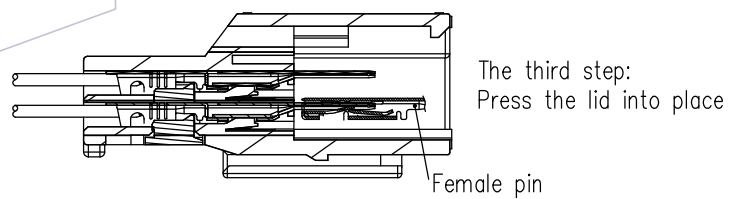
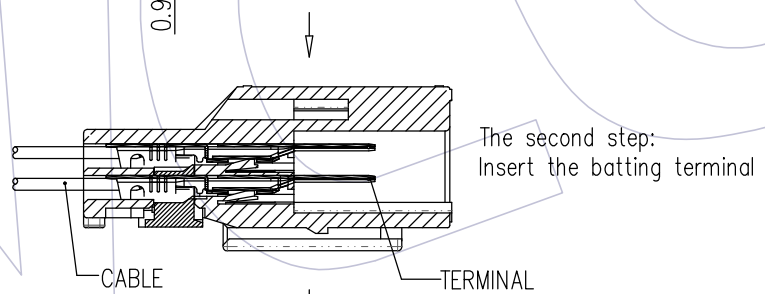
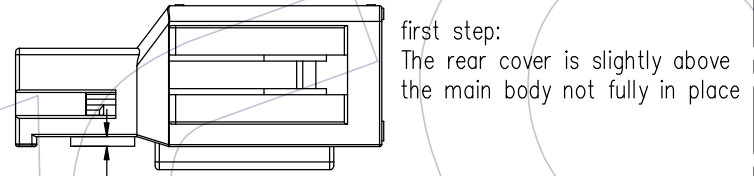
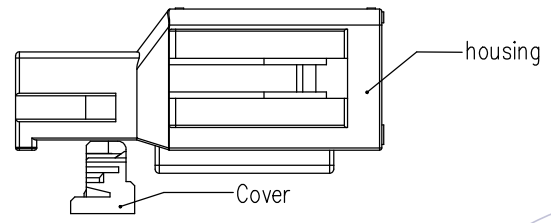
WCON
 Http: www.wcon.com

WCON-Dongguan
 Tel: +86 769 85358920
 Fax: +86 769 85358915
 E-mail: sales@wcon.com

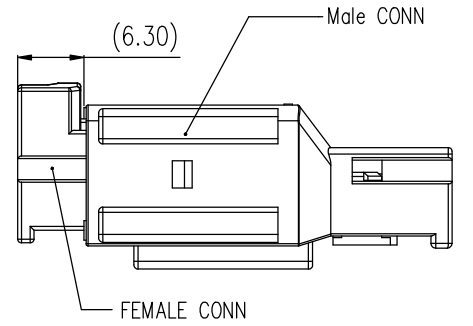
WCON-Kunshan
 Tel: +86 512 57468408
 Fax: +86 512 57468468
 E-mail: salesks@wcon.com

HSF

Client Application:



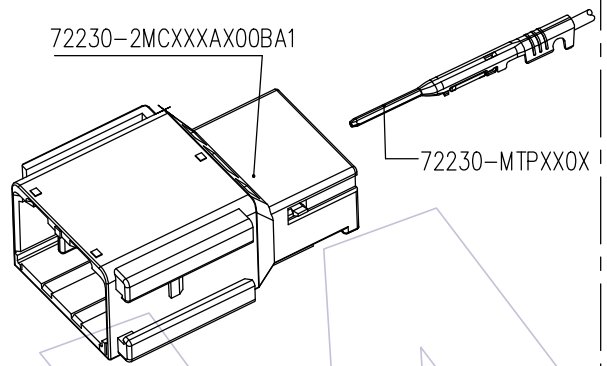
insert before



after inserting

Matching products: 72230-2 F C XXX A X00BA1

Alignment diagram



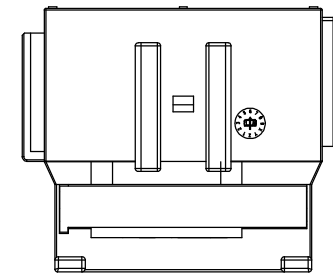
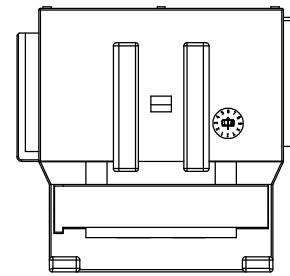
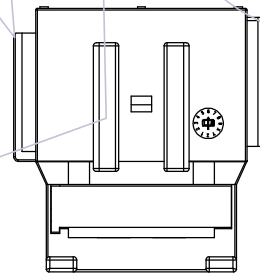
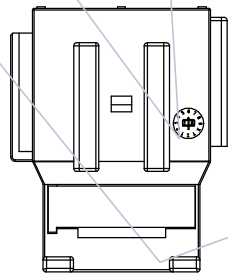
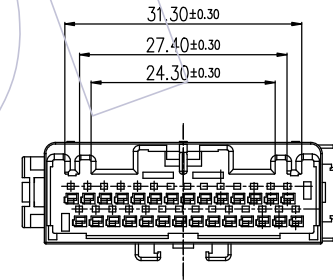
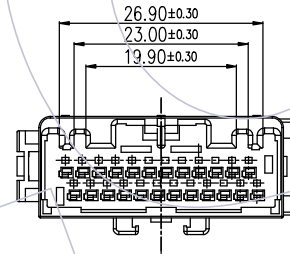
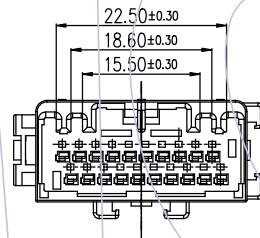
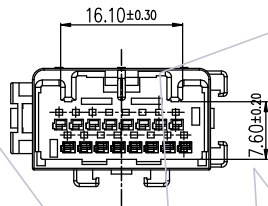
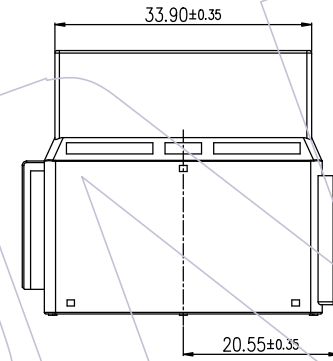
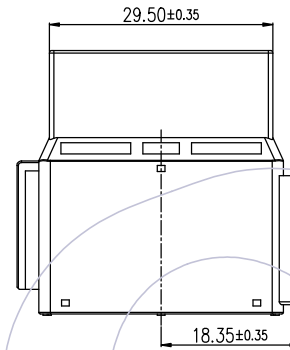
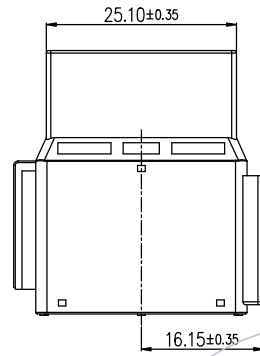
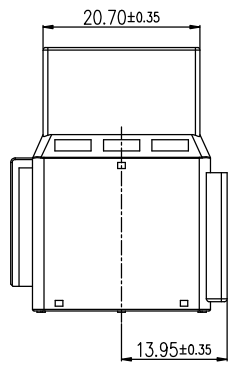
Matching products:	72230-MTPXX02	"S"端
	72230-MTPXX01	"M"端
	P/N	ITEM

REV	DATE	MODIFICATION DESCRIPTION	CHANGE	OPERATION	DRAW	DATE	SCALE	Fit	PART NO.
1	2023/06/03	Update Coding Explanation & Drawing	Morris	x. ±0.60	Morris	2021/07/26	UNIT	mm	72230-2MC 0XX J X00 BA 1
AO	2021/07/26	NEW	-----	x.X ±0.40	CHECK	DATE	SIZE	A4	TITLE: 2.2 * 3.0mm Auto-Conn, Dual Row, Male ,Crimp TYPE ,W/C
				x.XX ±0.25	APPROVE	DATE	SHEET	2/4	Customer NO.
				Angle ± 3°			PROJ.		
				DIM TOL					

WCON
Http: www.wcon.com

WCON-Dongguan Tel: +86 769 85358920 Fax: +86 769 85358915 E-mail: sales@wcon.com	WCON-Kunshan Tel: +86 512 57468408 Fax: +86 512 57468468 E-mail: salesks@wcon.com
---	--

HSF



16P

20P

24P

28P

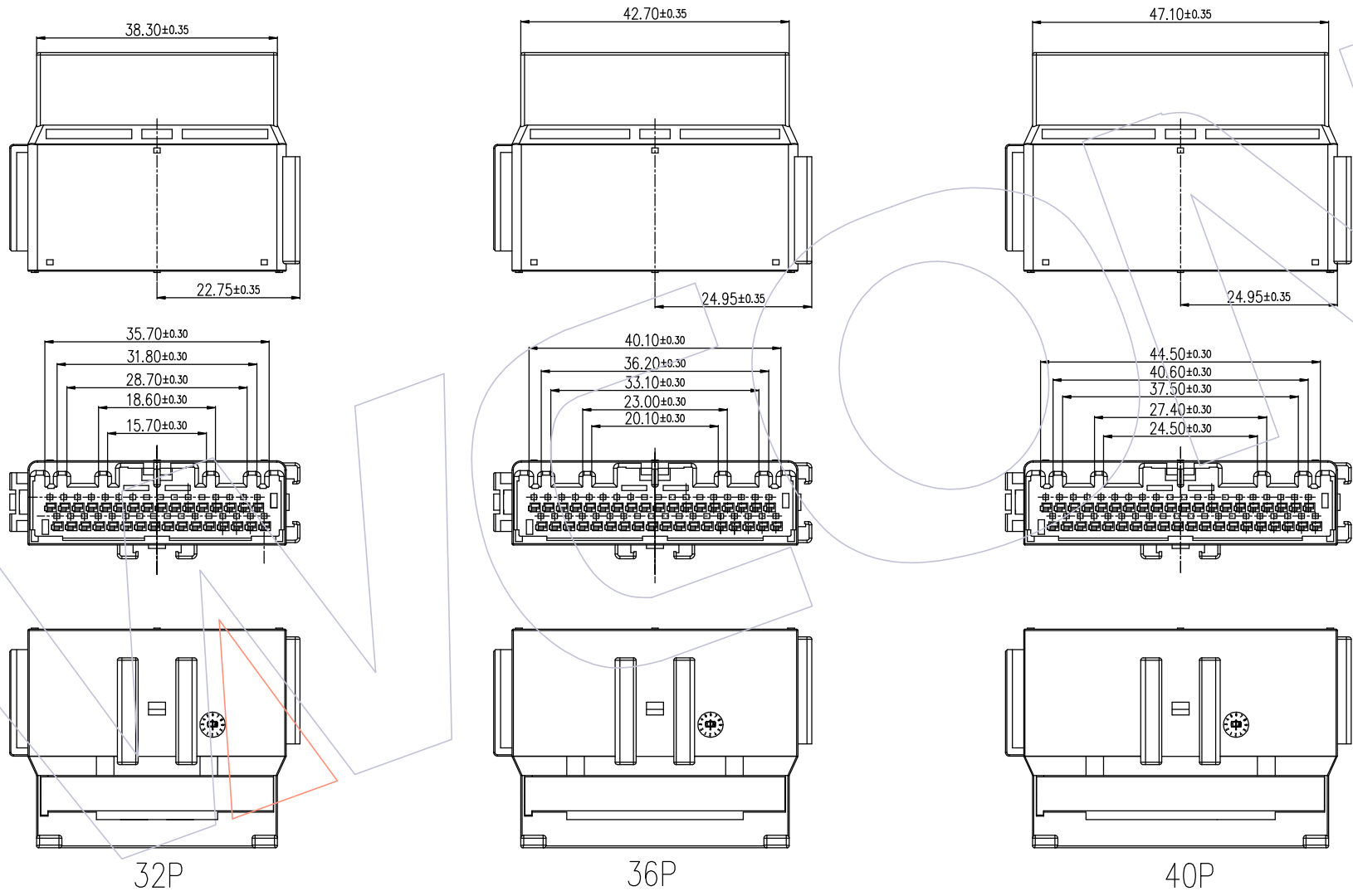
REV	DATE	MODIFICATION DESCRIPTION	CHANGE	OPERATION	DRAW	DATE	SCALE	Fit	PART NO.
1	2023/06/03	Update Coding Explanation & Drawing	Morris	x. ±0.60	Morris	2021/07/26	UNIT	mm	72230-2MC 0XX J X 00 BA1
AO	2021/07/26	NEW	-----	x.X ±0.40	CHECK	DATE	SIZE	A4	TITLE:
				x.XX ±0.25	APPROVE	DATE	SHEET	3/4	2.2*3.0mm Auto-Conn, Dual Row, Male ,Crimp TYPE ,W/C
				Angle ± 3°			PROJ.	⊕	Customer NO.
				DIM TOL					

WCON
 Http: www.wcon.com

WCON-Dongguan Tel: +86 769 85358920
 Fax: +86 769 85358915
 E-mail: sales@wcon.com

WCON-Kunshan Tel: +86 512 57468408
 Fax: +86 512 57468468
 E-mail: salesks@wcon.com

HSF



32P

36P

40P

REV	DATE	MODIFICATION DESCRIPTION	CHANGE	OPERATION		DRAW	DATE	SCALE	Fit	PART NO.
				x.	±0.60					
1	2023/06/03	Update Coding Explanation & Drawing	Morris	x.X	±0.40	CHECK	2021/07/26	UNIT	mm	72230-2MC 0XX J X 00 BA1
AO	2021/07/26	NEW	-----	x.XX	±0.25	APPROVE	DATE	SIZE	A4	TITLE: 2.2*3.0mm Auto-Conn, Dual Row, Male ,Crimp TYPE ,W/C
				Angle	± 3°			SHEET	4/4	PROJ.
				DIM	TOL					

WCON

Http: www.wcon.com

WCON-Dongguan Tel: +86 769 85358920 Fax: +86 769 85358915 E-mail: sales@wcon.com	WCON-Kunshan Tel: +86 512 57468408 Fax: +86 512 57468468 E-mail: salesks@wcon.com
---	--