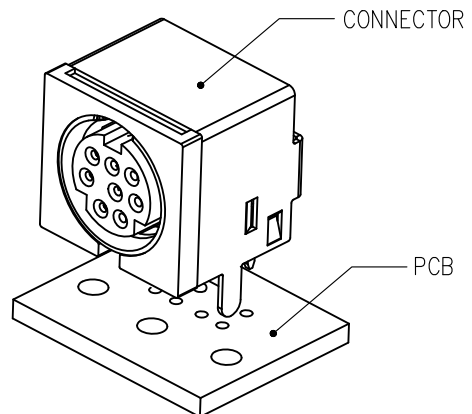
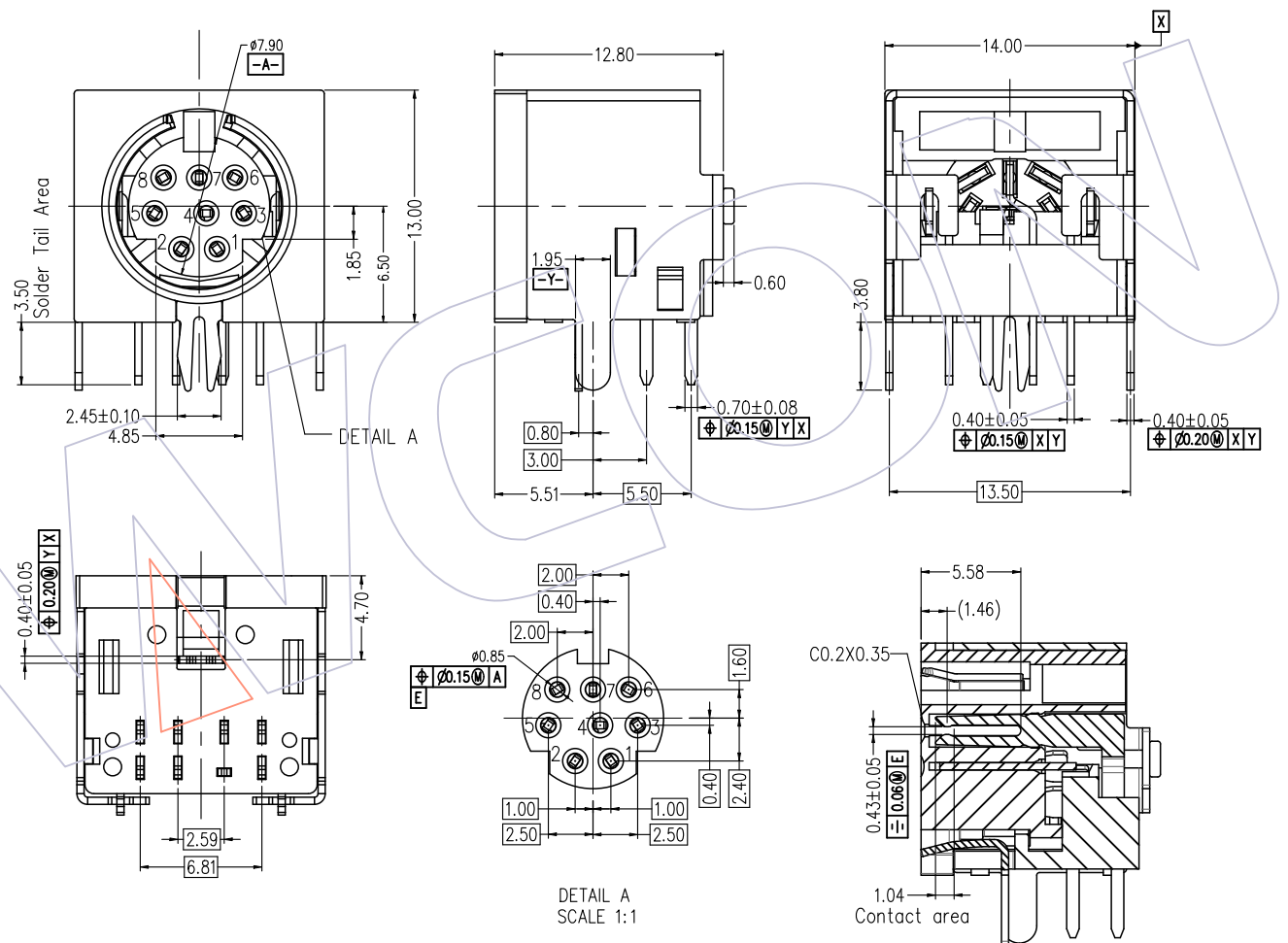



# HSF

**NOTES:**

1. Material:
  - Housing: PBT UL94V-0 BK
  - Cover: PA9T UL94V-0 BK
  - Terminal: Copper Alloy
  - Shell: Steel
  - Copper Ring: Copper Alloy
2. Terminal Finish:
  - xxu" Gold on contact area (see ordering information)
  - 80u" Min. Sn plated on Solder area
  - 50u" Min Ni Underplating overall;
3. Shell Finish: 30u" Min, Ni Underplating Over All.
4. Copper Ring Finish: 30u" Min, Ni Underplating Over All.
5. Specification:
- 6.1 Rating
  - Rated Current: 1.0A
- 7.2 Electrical
  - Contact Resistance: 30mΩ max
  - Withstand Voltage: 500V AC/DC
  - Insulation Resistance: 100MΩ min
8. Operation Temperature: -55°C to +85°C
9. Recommended Process: Wave Solder
  - temperature: 245±5°C 5 S



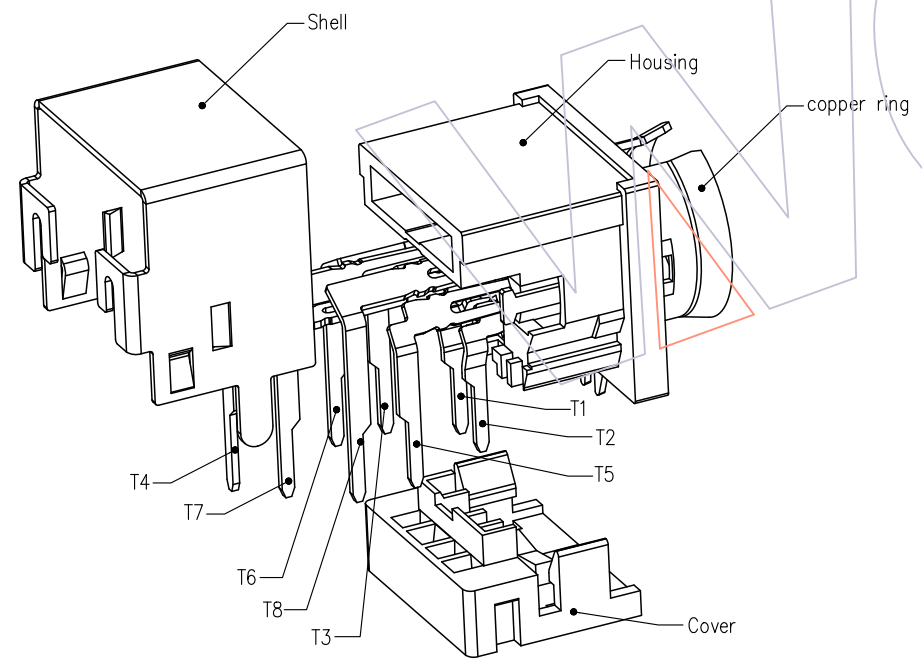
				OPERATION	DRAW	DATE	SCALE	FIT	PART NO.	 Http: www.wcon.com
			X.X	±0.30	Morris	2021/03/29	UNIT	mm	6421-08FSORBN01	
			X.XX	±0.25	CHECK	DATE	SIZE	A4	TITLE:	WCON-Dongguan Tel: +86 769 85358920 Fax: +86 769 85358915 E-mail: sales@wcon.com
			X.XXX	±0.15	APPROVE	DATE	SHEET	1/2	Mini Din Female 8P R/A Conn (W/Forklock)	
A0	2021/03/29	NEW	---	Angle			PROJ.		Customer NO.	
REV	DATE	MODIFICATION DESCRIPTION	CHANGE	DIM	TOL					



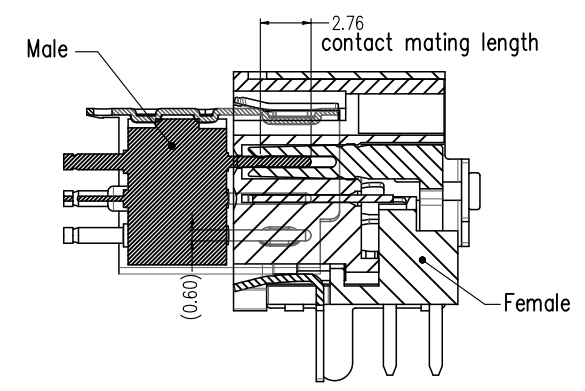
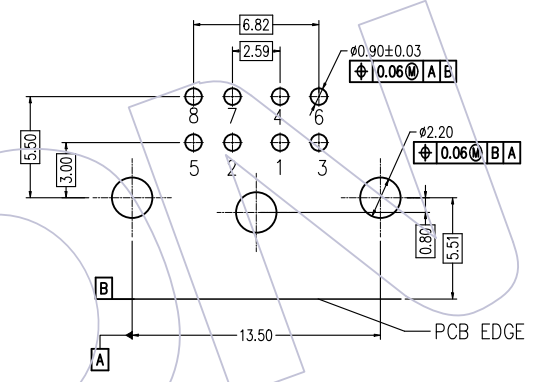
# Ordering Information

6421 - 08 F S0 R B N 01

No. of Pins ——— 08=8PIN  
 Type ——— F=Female  
 Contact Plating ——— S0=Gold Flash/Tin  
 WCON internal code  
 No Spring  
 Colour ——— B=Black  
 90D angle



Recommended P.C.B Layout(Top View)  
(PCB BOARD TOLERANCE±0.03)



Mated drawing

				OPERATION	DRAW	DATE	SCALE	FIT	PART NO.	 <a href="http://www.wcon.com">Http: www.wcon.com</a> WCON-Dongguan      WCON-Kunshan Tel: +86 769 85358920      Tel: +86 512 57468408 Fax: +86 769 85358915      Fax: +86 512 57468468 E-mail: sales@wcon.com      E-mail: salesks@wcon.com
			x.x	±0.30	Morris	2021/03/29	UNIT	mm	6421-08FSORBN01	
			x.xx	±0.25	CHECK	DATE	SIZE	A4	TITLE:	
A0	2021/03/29	NEW	x.xxx	±0.15	APPROVE	DATE	SHEET	2/2	Mini Din Female 8P R/A Conn (W/Forklock)	
REV	DATE	MODIFICATION DESCRIPTION	CHANGE	Angle			PROJ.	Customer NO.		
				DIM	TOL					