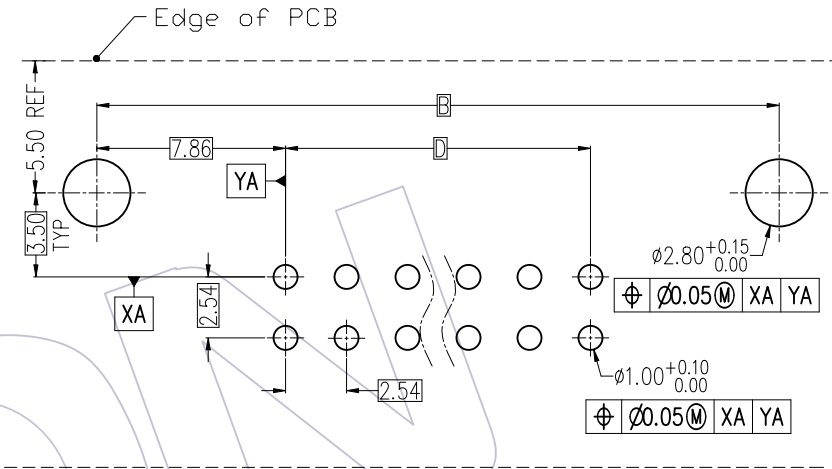
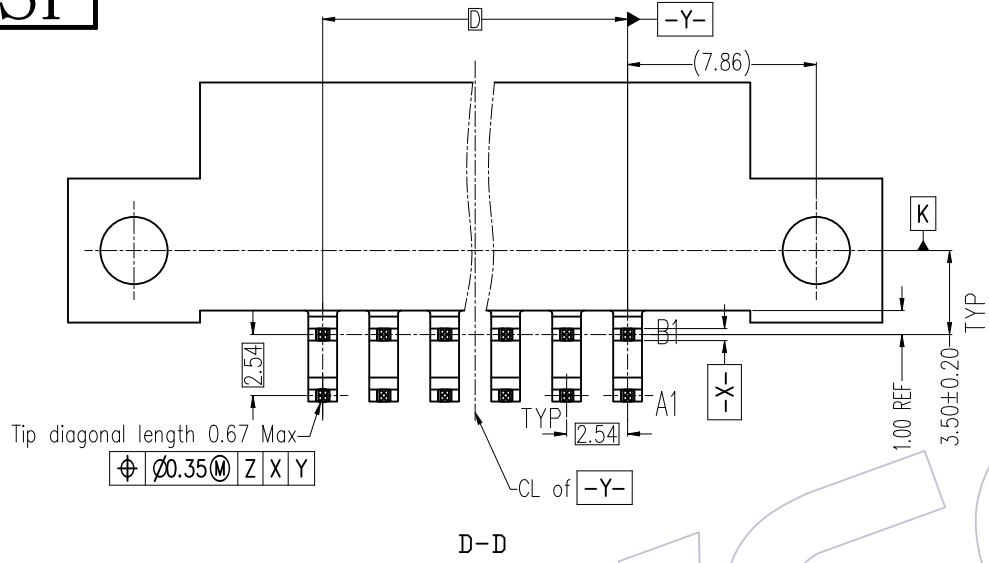


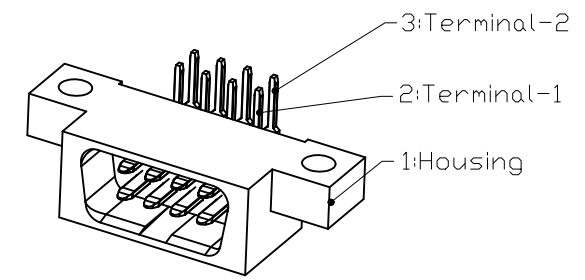



**HSF**

Recommended P.C.B Layout(Top Side)  
(PCB BOARD TOLERANCE±0.05, T=1.6±0.2)



WCON



				OPERATION	DRAW	DATE	SCALE	FIT	PART NO.	 <a href="http://www.wcon.com">Http: www.wcon.com</a> WCON-Dongguan      WCON-Kunshan Tel: +86 769 85358920      Tel: +86 512 57468408 Fax: +86 769 85358915      Fax: +86 512 57468468 E-mail: sales@wcon.com      E-mail: salesks@wcon.com
				x.x      ±0.40	Houfu Peng	2021.08.11	UNIT	mm	6340-1XXMRSXM2NT01	
				x.xx      ±0.25	CHECK	DATE	SIZE	A4	TITLE: 2.54mm DFCN Connector Male, 90° DIP Type	
				x.xxx      ±0.15	APPROVE	DATE	SHEET	2/2	Customer NO.	
REV	DATE	MODIFICATION DESCRIPTION	CHANGE	Angle      ± 3° DIM      TOL			PROJ.			
A0	2021.08.11	NEW	Houfu Peng							