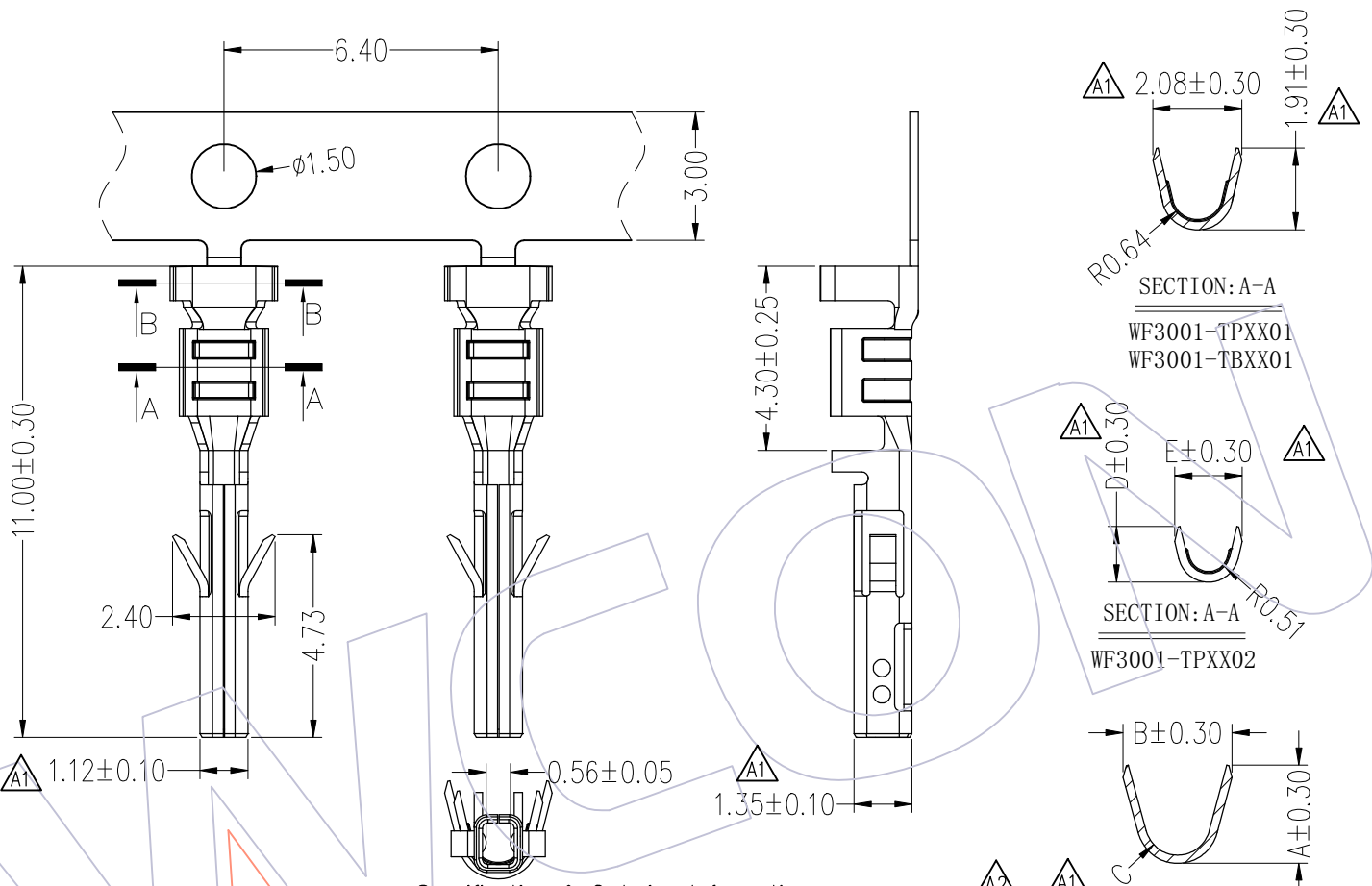


# HSF

NOTES:  
 Current Rating: 5.0AMP  
 Contact Resistance: 20mΩ Max  
 Withstand Voltage: 1500V AC/DC  
 Insulation Resistance: 1000MΩ Min  
 Operation Temperature: -25℃ to +85℃



## Ordering Information

WF 3001 - T X SN 0 X

Material  
 P=Phosphor bronze  
 B=Brass

Contact Plating  
 SN=Tin

	A1	A2			
WF3001-TPXX03	2.54	2.54	R0.74	2.18	2.39
WF3001-TPXX02	1.91	2.10	R0.64	1.30	1.57
WF3001-TPXX01	2.29	2.54	R0.76	1.91	2.08
WF3001-TBXX01	2.29	2.54	R0.76	1.91	2.08
料号	A	B	C	D	E

## Specification & Ordering Information:

Part No.	Thickness	Material	Finish	Wire Range	Insulation O.D	Q'ty/Reel
WF3001-TPXX03	0.20	Phosphor bronze	Tin-Plated	AWG#18~#20	1.85mm Max.	10,000PCS
WF3001-TPXX02	0.20	Phosphor bronze	Tin-Plated	AWG#26~#28	1.80mm Max.	10,000PCS
WF3001-TPXX01	0.20	Phosphor bronze	Tin-Plated	AWG#20~#24	1.85mm Max.	10,000PCS
WF3001-TBXX01	0.20	Brass	Tin-Plated	AWG#20~#24	1.85mm Max.	10,000PCS

REV	DATE	MODIFICATION DESCRIPTION	CHANGE	OPERATION	DRAW	DATE	SCALE	FIT	PART NO.
A2	2023/07/05	Add WF3001-TPXX03	A2	x.xx ±0.40	DuYing	2023/07/05	UNIT	mm	SEE TABLE
A1	2020/08/28	Modify	A1	x.xx ±0.25	DuYing	DATE	SIZE	A4	TITLE: 3.00mm TERMINAL FEMALE
A0	2012/09/28	NEW		x.xxx ±0.15	JYHuang	DATE	SHEET	1/1	Customer NO.
				Angle ± 3°			PROJ.		
				DIM					
				TOL					

**WCON**  
 Http: www.wcon.com

WCON-Dongguan  
 Tel: +86 769 85358920  
 Fax: +86 769 85358915  
 E-mail: sales@wcon.com

WCON-Kunshan  
 Tel: +86 512 57468408  
 Fax: +86 512 57468468  
 E-mail: salesks@wcon.com