

# HSF

**NOTES:**

Current Rating: 5.0 AMP  
 Voltage Rating: 250V AC/DC  
 Temperature Range: -25°C to +85°C  
 Contact Resistance: 10mΩ Max.  
 Insulation Resistance: 1000MΩ Min.  
 Withstanding Voltage: 1000V AC/Minute

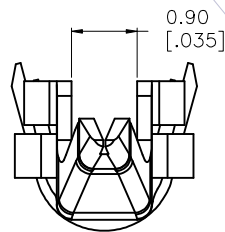
Material: Phosphor Bronze  
 Contact plating: Tin Over Ni

## Ordering Information

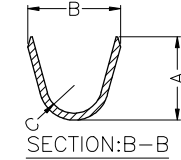
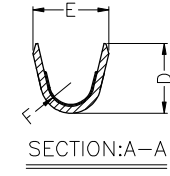
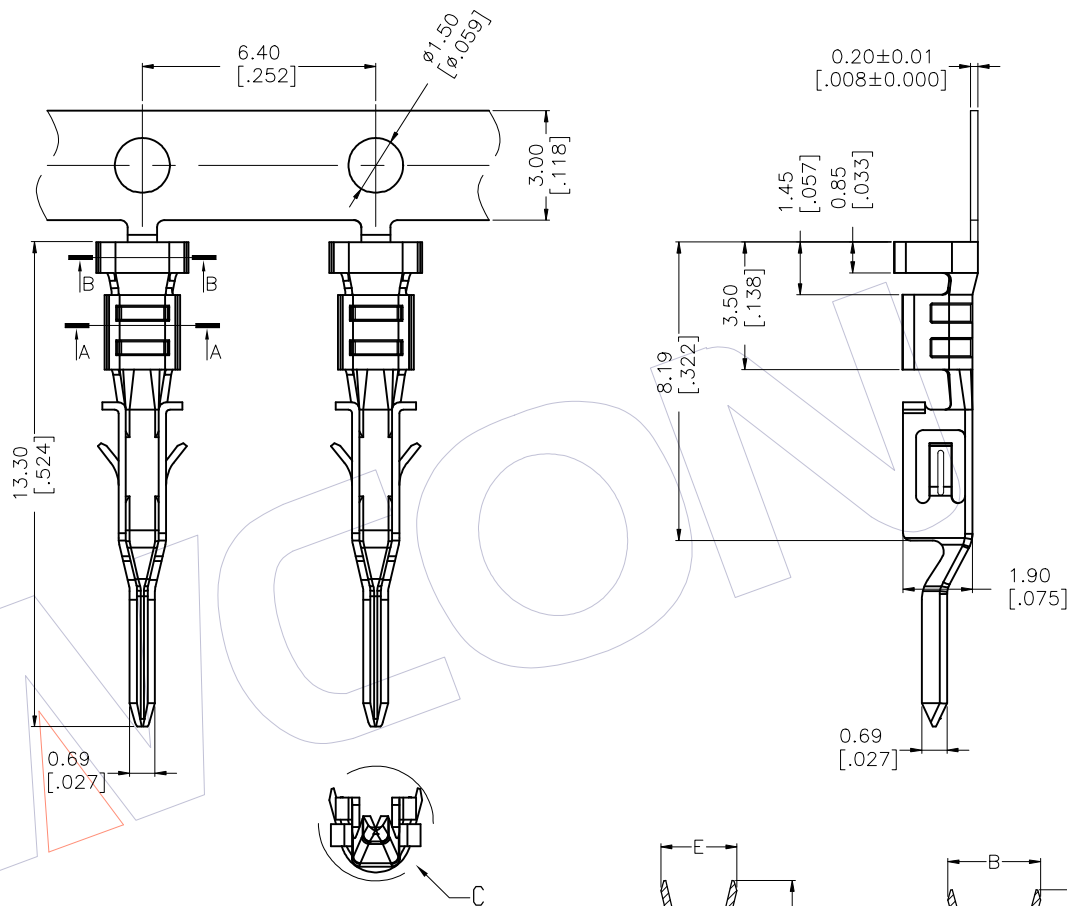
WF3001-M T P XX 0X

Terminal Material  
 P:Phosphor Bronze

Contact Plating:  
 SN: Tin Plated



DETAIL:C(2X)



WF3001-MTPxx02	AWG26~30#	1.91[0.075]	2.10[0.083]	R0.64[0.025]	1.47[0.058]	1.65[0.065]	R0.51[0.020]
WF3001-MTPxx01	AWG20~24#	2.29[0.090]	2.54[0.100]	R0.76[0.030]	1.91[0.075]	2.08[0.082]	R0.64[0.025]
Part NO	Wire Range	A	B	C±0.13[±0.005]	D	E	F±0.13[±0.005]

				OPERATION		DRAW		DATE		SCALE		PART NO.		 Http: www.wcon.com WCON-Dongguan Tel: +86 769 85358920 WCON-Kunshan Tel: +86 512 57468408 Fax: +86 769 85358915 E-mail: sales@wcon.com	
				X.X ±0.40		GH		2023.06.17		1:1		WF3001-MTPXX0X			
A1		2023.06.17		Update the drawing		GH				mm		TITLE:			
A0		2012.06.22		NEW		LKP				inch		3.0 CRIMP MALE TERMINAL			
REV		DATE		MODIFICATION DESCRIPTION		CHANGE		DATE		SHEET		Customer NO.			
				Angle ± 3°		APPROVE				1/1					
				DIM TOL						PROJ.					