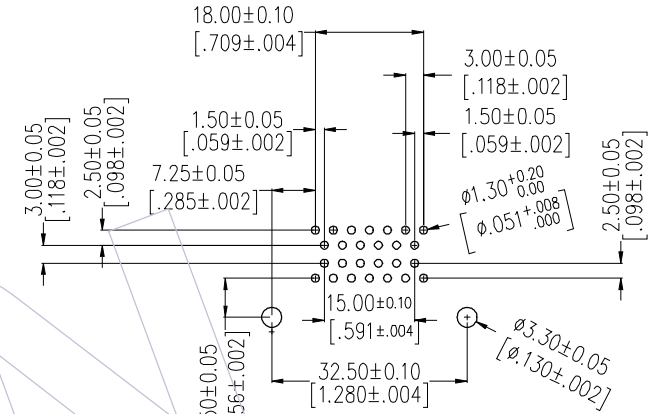
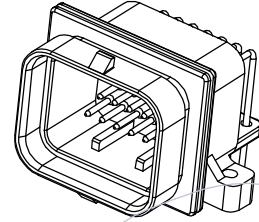
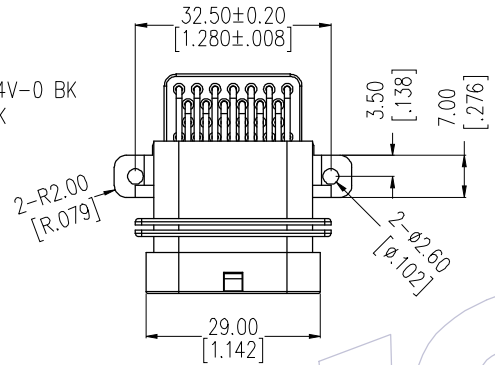


HSF

NOTES:
 Rated Current: 7.0AMP.
 Contact Resistance: 20mΩ Max.
 Rated Voltage: 250V
 Operation Temperature: -40℃ to +125℃

Contact Material: Brass
 Contact Plating: Au or Sn Over Ni
 Insulator Body Material: PA9T+33%G.F UL94V-0 BK
 Cover Material: PA9T+33%G.F UL94V-0 BK

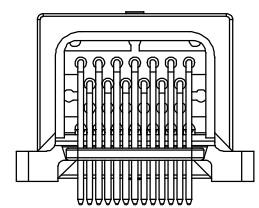
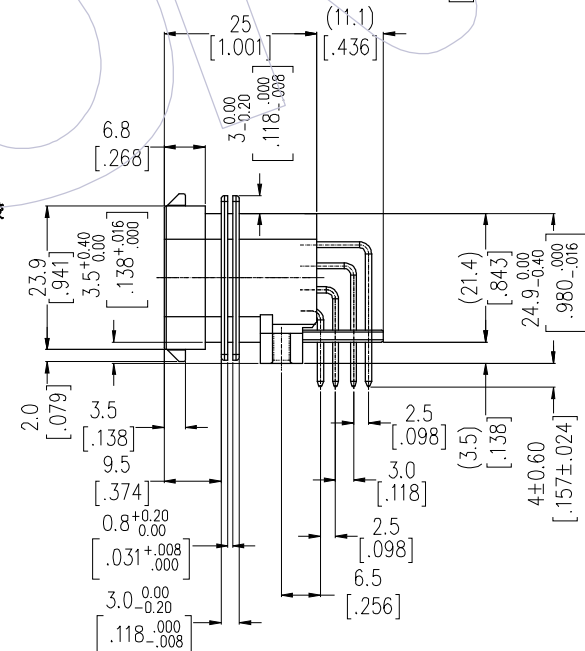
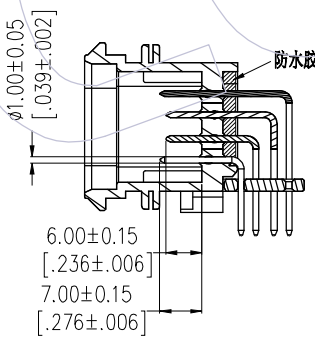
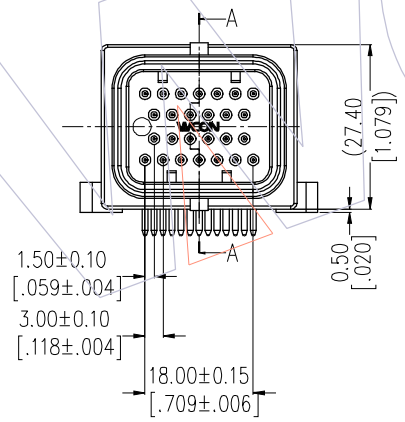
Recommended P.C.B Layout (Top Side)
 (PCB BOARD TOLERANCE±0.05)



Ordering Information

73040-4 M R 026 C B S4 D A 1 W

4 rows
 MALE
 R=R/A
 026=26P
 C=PA9T
 B=Brass
 Contact Plating:
 S4=Sel.15U^oAu/Matte Sn
 D=Ports no Sealed &Terminals Sealed
 A=Tray Packing
 Key Option Code
 W=W/T WCON



REV	DATE	MODIFICATION DESCRIPTION	CHANGE	OPERATION		DRAW	DATE	SCALE	Fit	PART NO.
				X.	±0.60					
				X.X	±0.40	CHECK	DATE	SIZE	A4	TITLE: 3.0*4.0mm,SUPER SEAL CONN. 4 Rows,R/A Male 26P
				X.XX	±0.25			SHEET	1/1	
				Angle	± 3°	APPROVE	DATE	PROJ.		Customer NO.
				DIM	TOL					

WCON
 Http: www.wcon.com

WCON-Dongguan
 Tel: +86 769 85358920
 Fax: +86 769 85358915
 E-mail: sales@wcon.com

WCON-Kunshan
 Tel: +86 512 57468408
 Fax: +86 512 57468468
 E-mail: sales@wcon.com