



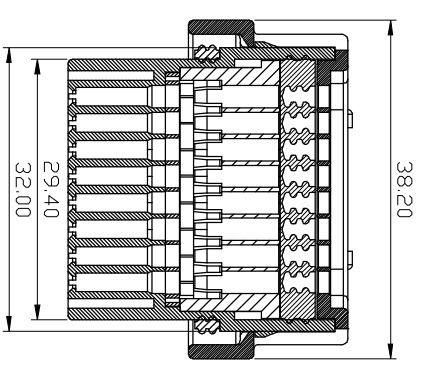
NOTES:
 Rated Current: 7 AMP Min.
 Contact Resistance: 15mΩ Max.
 Rated Voltage: 1000V AC
 Operation Temperature: -40°C to +125°C

Socket Insulator Material: PBT+30%G.F UL94V-0 BK
 Final Lock Material: PBT+30%G.F UL94V-0 White
 Initial Lock Material: PBT+30%G.F UL94V-0 BK
 Locking & Backplate Material: PBT UL94V-0 BK
 Bushing Material: silicone rubber
 Sealing Material: silicone rubber

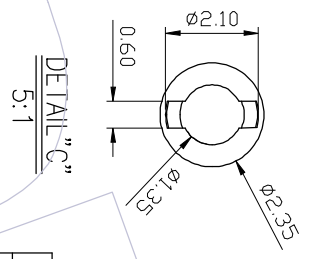
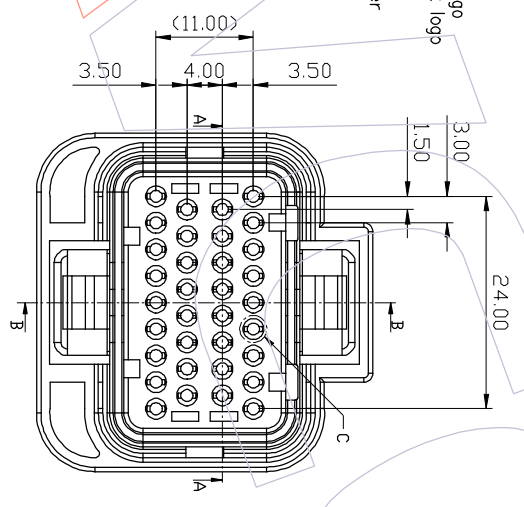
Ordering Information

7 30 40 - 4 F C 034 A N00 W A X X X

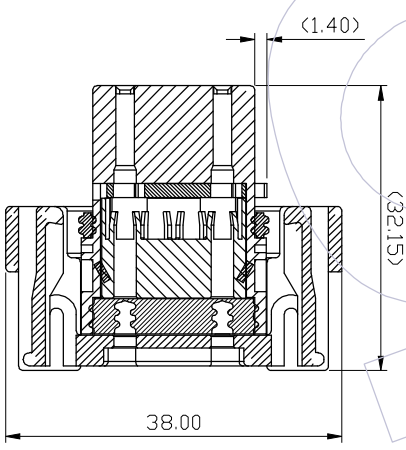
F: Female
 No. of pins
 034=34P
 Insulator Material
 A=PBT
 W: With logo
 blank: without logo
 X: 1, 2, 3 ...
 wrld number
 A: Vacuum box



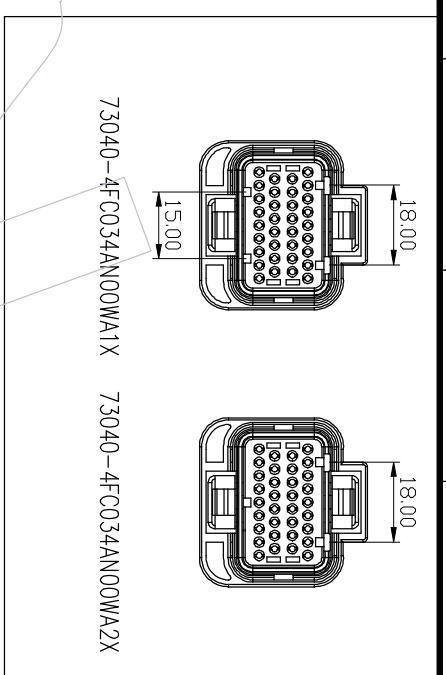
Section A-A



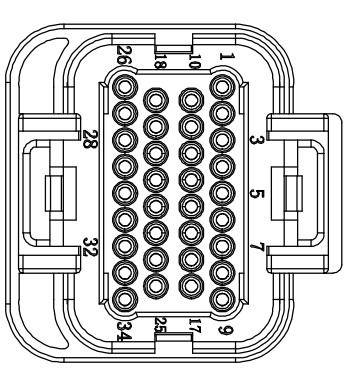
DETAIL "C"
5:1



Section A-A



INSULATION DIA	WIRE EXAMPLE	INSERTABLE POSITION
∅2.0~∅2.2	AVSS 1.25	1,9,10,17,18,25,26,34
∅1.6~∅1.9	AVSS 0.5~0.85	ALL POSITION



REV	DATE	MODIFICATION DESCRIPTION	CHANGE DIM	OPERATION	DRAW	DATE	SCALE	PART NO.	TITLE:	WCON Http: www.wcon.com WCON-Dongguan Tel: +86 769 85358920 Fax: +86 769 85358915 E-mail: sales@wcon.com WCON-Kunshan Tel: +86 512 57468408 Fax: +86 512 57468468 E-mail: sales@wcon.com
A0	2021/10/25	NEW	-----	X.X ±0.40 X.XX ±0.25 Angle ± 3°	Kevin-xin CHECK	2021/10/25	mm 1/1	73040-4FC034AN00WAXX	3.0X4.0mm four row car connector line end 34P plug	