

# HSF

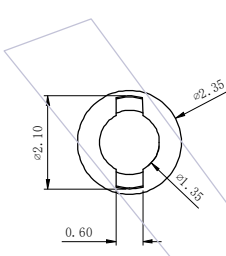
NOTES:  
 Rated Current: 7 AMP Min.  
 Contact Resistance: 15mΩ Max.  
 Rated Voltage: 1000V AC  
 Operation Temperature: -40℃ to +125℃

Socket Insulator Material: PBT+30%G.F UL94V-0 BK  
 Final Lock Material: PBT+30%G.F UL94V-0 White  
 Initial Lock Material: PBT+30%G.F UL94V-0 BK  
 Locking & Backplate Material: PBT UL94V-0 BK  
 Bushing Material: silicone rubber  
 Sealing Material: silicone rubber

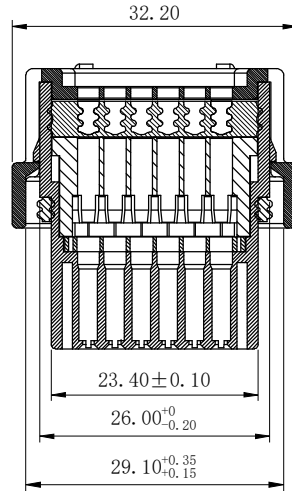
## Ordering Information

**7 30 40 - 4 F C 026 A N 00W A X X**

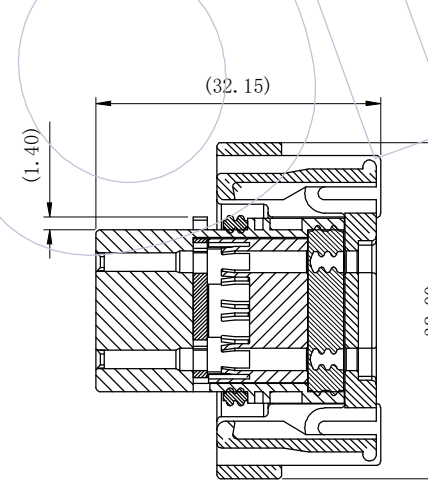
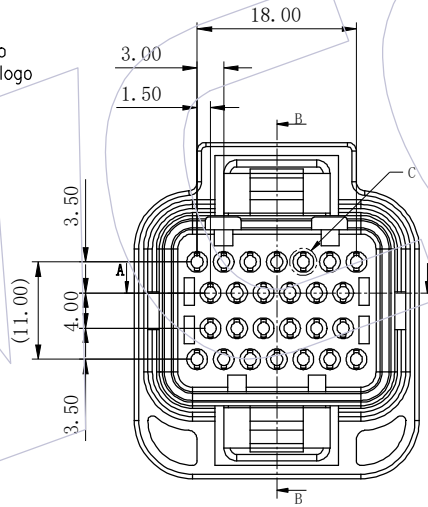
F: Female  
 No. of pins  
 026=26P  
 Insulator Material  
 A=PBT  
 W: With logo  
 blank: without logo  
 X: 1,2,3 ...  
 wrial number  
 A: Vacuum box



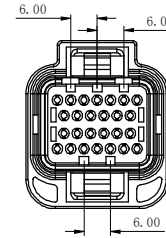
DETAIL "C"  
5:1



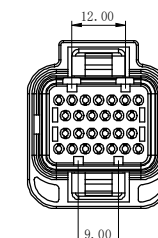
Section A-A



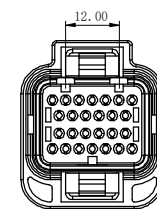
Section B-B



73040-4FC026AN00WA6X

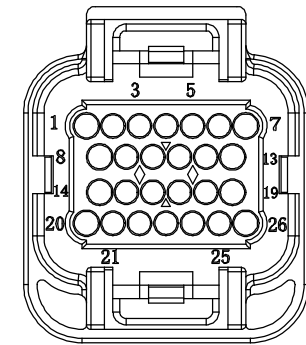


73040-4FC026AN00WA1X



73040-4FC026AN00WA2X

INSULATION DIA	WIRE EXAMPLE	INSERTABLE POSITION
$\varnothing 2.0 \sim \varnothing 2.2$	AVSS 1.25	1, 7, 8, 13, 14, 19, 20, 26
$\varnothing 1.6 \sim \varnothing 1.9$	AVSS 0.5~0.85	ALL POSITION



REV	DATE	MODIFICATION DESCRIPTION	CHANGE	OPERATION	DRAW	DATE	SCALE	Fit	PART NO.
				x.	±0.60	2021/10/25	UNIT	mm [inch]	73040-4FC026AN00WAXX
				x.x	±0.40		SIZE	A4	TITLE:
				x.xx	±0.25		SHEET	1/1	3.0X4.0mm four row car connector line end 26P plug
				Angle	± 3°		PROJ.		Customer NO.
A0	2021/10/25	NEW		DIM	TOL				

# WCON

Http: www.wcon.com

WCON-Dongguan  
 Tel: +86 769 85358920  
 Fax: +86 769 85358915  
 E-mail: sales@wcon.com

WCON-Kunshan  
 Tel: +86 512 57468408  
 Fax: +86 512 57468468  
 E-mail: salesks@wcon.com