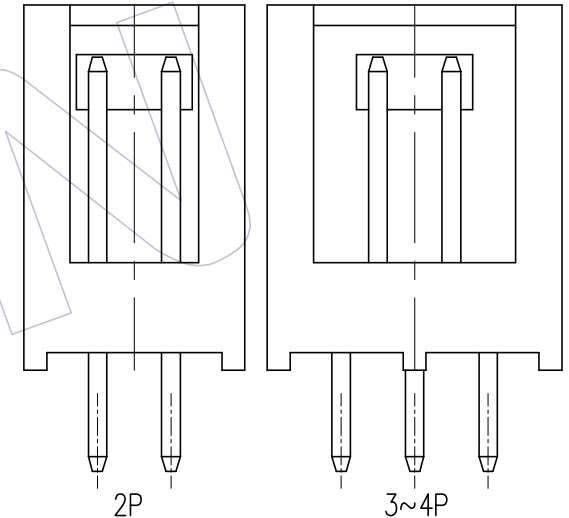
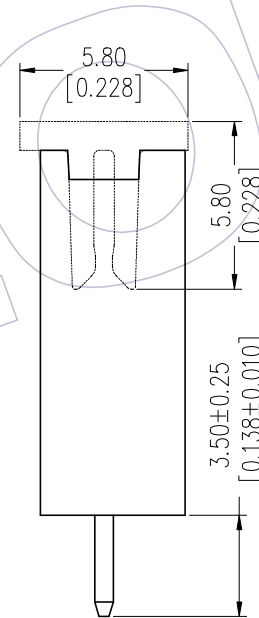
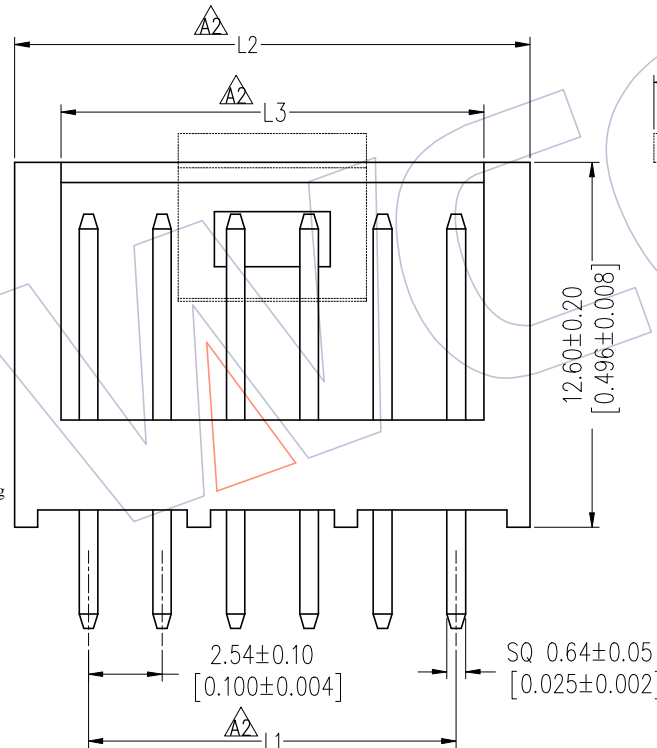
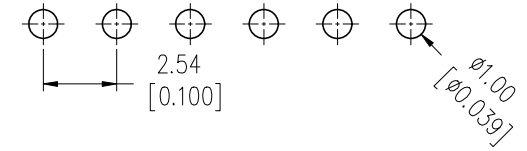
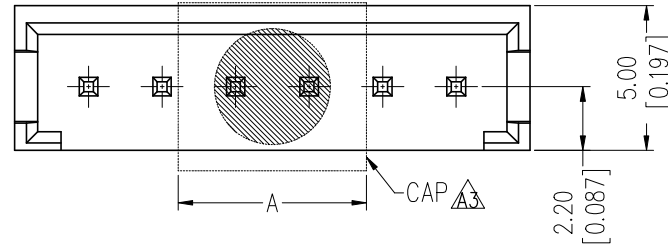


HSF

Recommended P.C.B Layout (Top Side)
(PCB BOARD TOLERANCE ±0.05)

NOTES:
 Rated Current: 3.0A
 Rated Voltage: 250V AC/DC
 Contact Resistance: 20mΩ max
 Withstand Voltage: 1000V AC/Minute
 Insulation Resistance: 1000MΩ min
 Operation Temperature: -25°C to +85°C

Contact Material: Brass
 Contact plating: Au Or Sn Over Ni
 Insulator Material: PA9T+33%G.F (UL94V-0)



Ordering Information

WF2548 -1 WS XX X 0 1

No. of Row Single Row
 No. of pins 02P~22P
 Contact Plating
 S0=Gold Flash/Tin
 S3=10u"Gold/Tin
 S4=15u"Gold/Tin
 S5=30u"Gold/Tin
 G0=Gold Flash
 G3=10u"Gold
 G4=15u"Gold
 G5=30u"Gold
 Blank=Tin
 Color
 B=Black
 W=White
 Packing
 0=PE Bag
 T=Tube

5P 及以上

| PIN | A |
|-------|------|
| 2P | 5.00 |
| 3~22P | 6.50 |

| | | |
|--------|----|---|
| 2-12P | L1 | 2.54xNo. of Positions-2.54±0.20 [0.100xNo. of Positions-0.100±0.008] |
| | L2 | 2.54xNo. of Positions+2.54±0.25 [0.100xNo. of Positions+0.100±0.010] |
| | L3 | 2.54xNo. of Positions-0.64±0.25 [0.100xNo. of Positions-0.025±0.010] |
| 13-22P | L1 | 2.54xNo. of Positions-2.54±0.25 [0.100xNo. of Positions-0.100±0.010] |
| | L2 | 2.54xNo. of Positions+2.54±0.30 [0.100xNo. of Positions+0.100±0.012] |
| | L3 | 2.54xNo. of Positions-0.64±0.30 [0.100xNo. of Positions-0.025±0.012] |

| | | | | | | | | | |
|-----|------------|--------------------------|--------|-----------------------|---------|------------|-------|-----|--|
| A3 | 2019/01/15 | Add the CAP | | OPERATION | DRAW | DATE | SCALE | FIT | PART NO. |
| A2 | 2018/02/05 | Modify | | x.X ±0.40 | Ding | 2019/01/15 | UNIT | mm | WF2548-1WSXXX01 |
| A1 | 2017/02/28 | Modify | | x.XX ±0.25 | CHECK | DATE | SIZE | A4 | |
| A0 | 2012/09/08 | NEW | — | x.XXX ±0.15 | APPROVE | DATE | SHEET | 1/1 | TITLE: 2.54 SINGLE ROW 180° DIP WAFER |
| REV | DATE | MODIFICATION DESCRIPTION | CHANGE | Angle ± 3° DIM TOL | | | PROJ. | | Customer NO. |

WCON

Http: www.wcon.com

WCON-Dongguan
 Tel: +86 769 85358920
 Fax: +86 769 85358915
 E-mail: sales@wcon.com

WCON-Kunshan
 Tel: +86 512 57468408
 Fax: +86 512 57468468
 E-mail: salesks@wcon.com