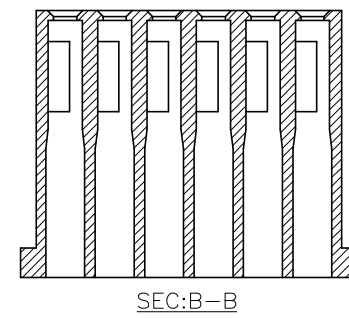
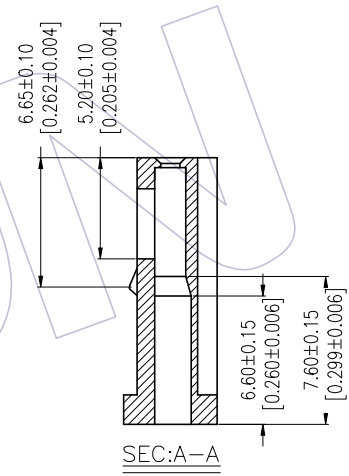
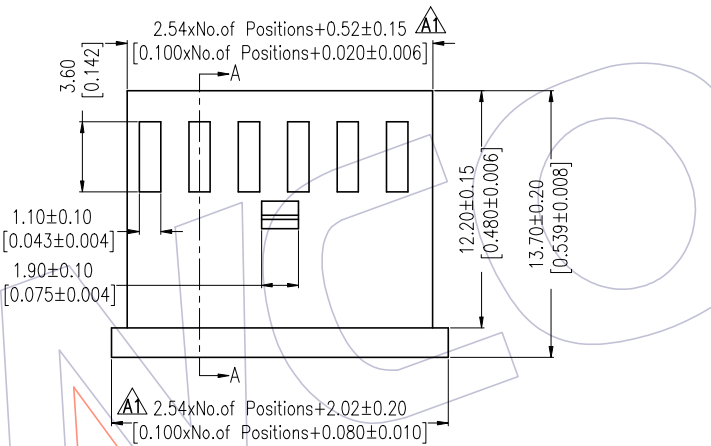
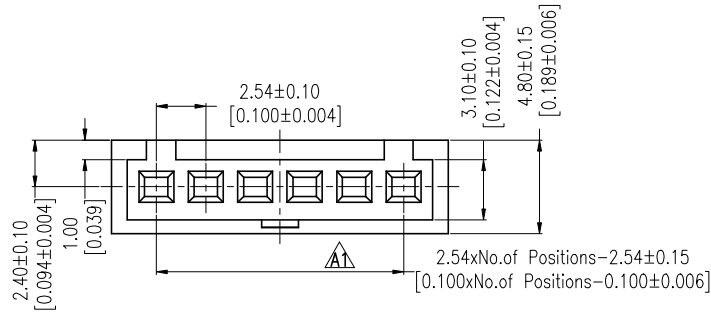


HSF

NOTES:

Rated Current:3.0AMP
 Contact Resistance:20mΩ max
 Withstand Voltage:1000V AC/DC
 Insulation Resistance:1000MΩ min
 Operation Temperature:-25℃ to +85℃
 Insulator Material:PBT+30%G.F(UL94V-0)
 Use with:WF2548-T
 Mated With:WF2548-Wafer



Ordering Information
WF2548-1 H XX B 0 1

No. of Pins Per Row:
 02P~22P

Packing
 0=PE Bag

REV	DATE	MODIFICATION DESCRIPTION	CHANGE	OPERATION		DRAW Ding	DATE 2017/02/27	SCALE	FIT	PART NO. WF2548-1HXXB01
				x.X	±0.40					
A1	2017/02/27	Modify	△	x.XX	±0.25	CHECK	DATE	UNIT mm	SIZE A4	TITLE: 2.54 Single Row T Type Housing
AO	2012/09/08	NEW	—	x.XXX	±0.15	APPROVE	DATE	SHEET 1/1	PROJ.	Customer NO.
				Angle ± 3'	DIM TOL					

WCON
 Http: www.wcon.com

WCON-Dongguan
 Tel: +86 769 85358920
 Fax: +86 769 85358915
 E-mail: sales@wcon.com

WCON-Kunshan
 Tel: +86 512 57468408
 Fax: +86 512 57468468
 E-mail: salesks@wcon.com