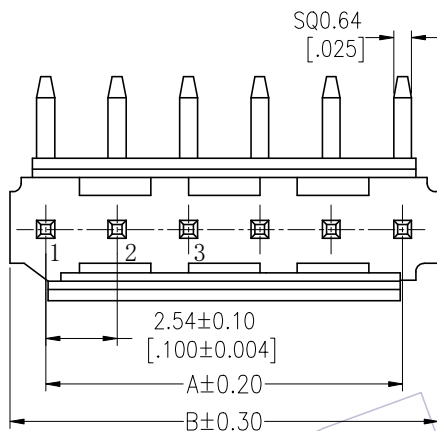


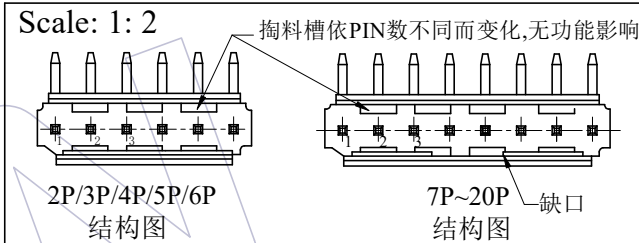
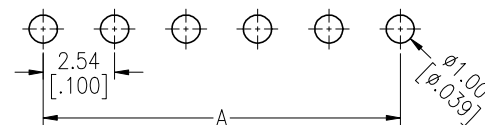
HSF

NOTES:
 Rated Current:3.0AMP
 Contact Resistance:20mΩ max
 Withstand Voltage:1000V AC/DC
 Insulation Resistance:1000MΩ min
 Operation Temperature:-25℃ to +85℃

Contact Material:Brass
 Contact plating:Au Or Sn Over Ni
 Insulator Material:PA66(UL94V-0)



Recommended P.C.B Layout(Top Side)
 (PCB BOARD TOLERANCE±0.05)



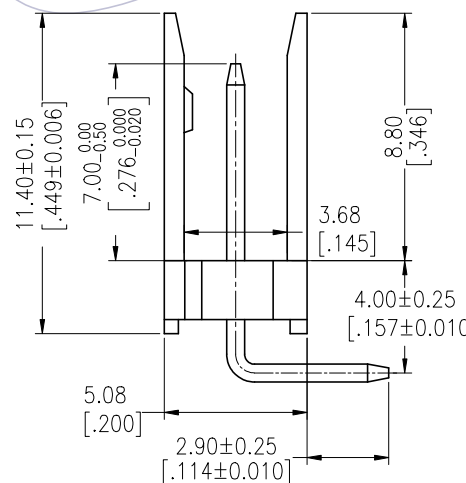
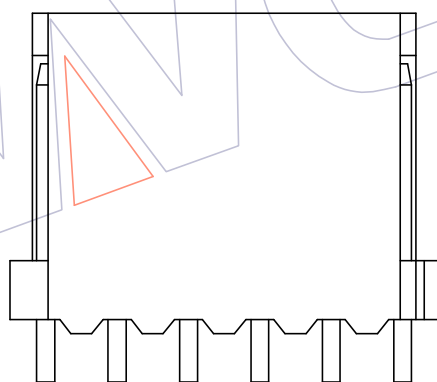
Specification & Ordering Information:

Circuit	Part No.	Dimension	
		A	B
02	WF2547-1WR02XX1	2.54	5.08
03	WF2547-1WR03XX1	5.08	7.62
04	WF2547-1WR04XX1	7.62	10.16
05	WF2547-1WR05XX1	10.16	12.70
06	WF2547-1WR06XX1	12.70	15.24
07	WF2547-1WR07XX1	15.24	17.78
08	WF2547-1WR08XX1	17.78	20.32
09	WF2547-1WR09XX1	20.32	22.86
10	WF2547-1WR10XX1	22.86	25.40
11	WF2547-1WR11XX1	25.40	27.94
12	WF2547-1WR12XX1	27.94	30.48
13	WF2547-1WR13XX1	30.48	33.02
14	WF2547-1WR14XX1	33.02	35.56
15	WF2547-1WR15XX1	35.56	38.10
16	WF2547-1WR16XX1	38.10	40.64
17	WF2547-1WR17XX1	40.64	43.18
18	WF2547-1WR18XX1	43.18	45.72
19	WF2547-1WR19XX1	45.72	48.26
20	WF2547-1WR20XX1	48.26	50.80

Ordering Information

WF2547 - 1 WR XX XXX X 1

No. of Row Single Row
 No. of pins 02P~20P
 Contact Plating S0=Gold Flash/Tin S3=10u"Gold/Tin S4=15u"Gold/Tin S5=30u"Gold/Tin G0=Gold Flash G3=10u"Gold G4=15u"Gold G5=30u"Gold Blank=Tin
 Color W=White U=Blue B=Black
 Packing 0=PE Bag T=Tube



OPERATION	DRAW	DATE	SCALE	FIT	PART NO.
x.x ±0.40	JYHuang	2012/09/08	UNIT	mm	SEE TAB
x.xx ±0.25	CHECK	DATE	SIZE	A4	TITLE:
x.xxx ±0.15	APPROVE	DATE	SHEET	1/1	"T"TYPE 2.54 WAFER SINGLE ROW 90°
Angle ± 3'			PROJ.	Customer NO.	
DIM TOL					

WCON

Http: www.wcon.com

WCON-Dongguan
 Tel: +86 769 85358920
 Fax: +86 769 85358915
 E-mail: sales@wcon.com

WCON-Kunshan
 Tel: +86 512 57468408
 Fax: +86 512 57468468
 E-mail: sales@wcon.com

AO	2012/09/08	NEW	
REV	DATE	MODIFICATION DESCRIPTION	CHANGE