

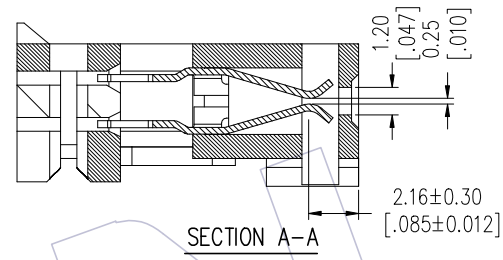
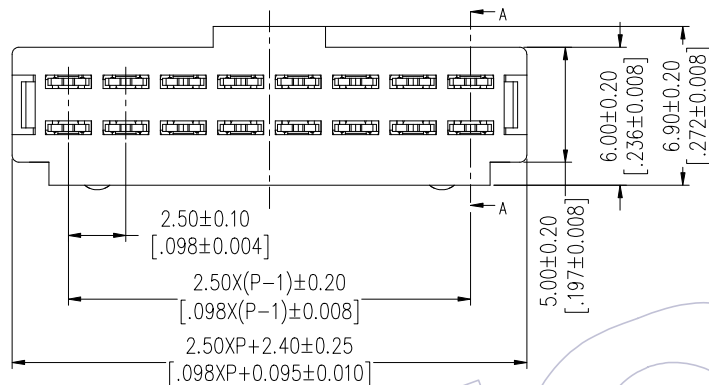
HSF

NOTES:

Current Rating: 5.0AMP
 Contact Resistance: 10mΩ Max
 Withstand Voltage: 1500V AC/DC
 Insulation Resistance: 1000MΩ Min
 Operation Temperature: -40℃ to +115℃

Contact Material: CuSn
 Contact plating: Sn over Ni
 Insulator Material: PBT UL94V-0

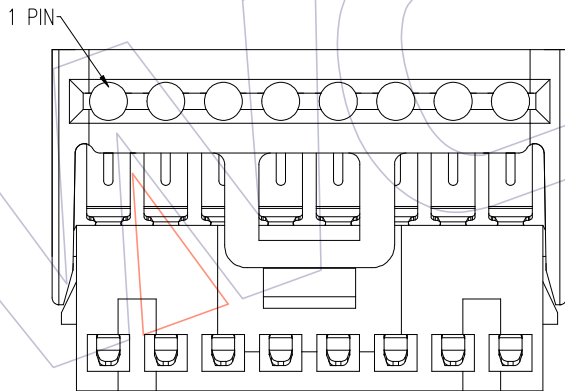
Compatible with counterpart stock
 MKS 18XX-6-0-XXXX



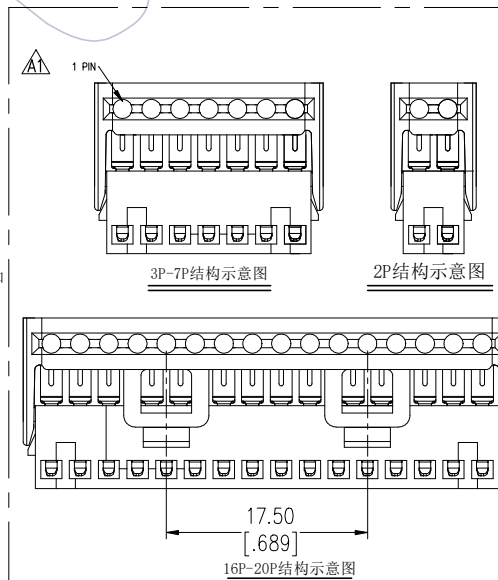
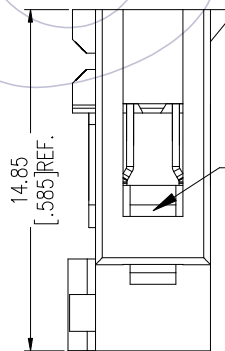
Ordering Information

WF2512-H I **XX** **G** **A** 2

No. of pins: 02-20P
 Color: G-Grey
 Packing: A=Tray



8P-15P结构



WCON

Http: www.wcon.com

WCON-Dongguan Tel: +86 769 85358920
 WCON-Kunshan Tel: +86 512 57468408
 Fax: +86 769 85358915
 Fax: +86 512 57468468
 E-mail: sales@wcon.com
 E-mail: salesks@wcon.com

REV	DATE	MODIFICATION DESCRIPTION	CHANGE	OPERATION	DRAW	DATE	SCALE	FIT	PART NO.
A2	2019/10/08	MODIFY "0" → "A"	△	X.X ±0.40	Liu	2019/10/08	UNIT	mm	WF2512-HIXXGA2 △
A1	2015/10/16	增加结构示意图 △	-----	X.XX ±0.25	CHECK	DATE	SIZE	A4	TITLE:
A0	2015/05/07	NEW	-----	X.XXX ±0.15	APPROVE	DATE	SHEET	1/1	2.50 IDC SOCKET
				Angle ± 3°			PROJ.	⌀	Customer NO.
				DIM TOL					