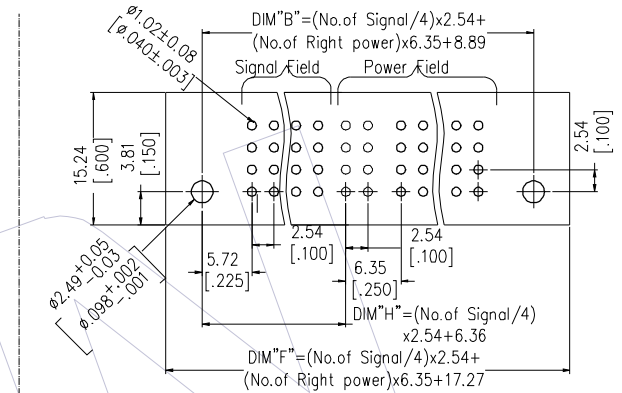
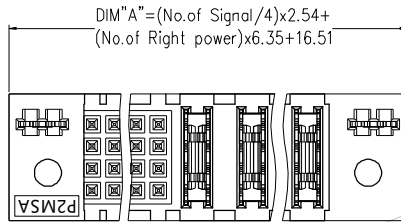


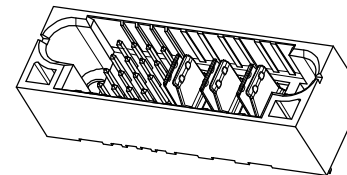
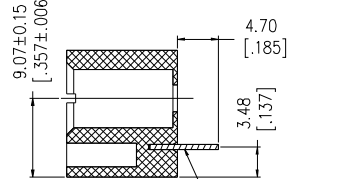
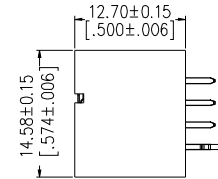
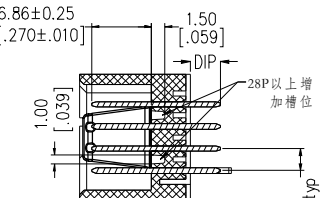
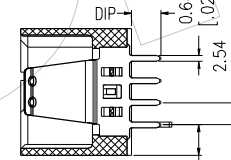
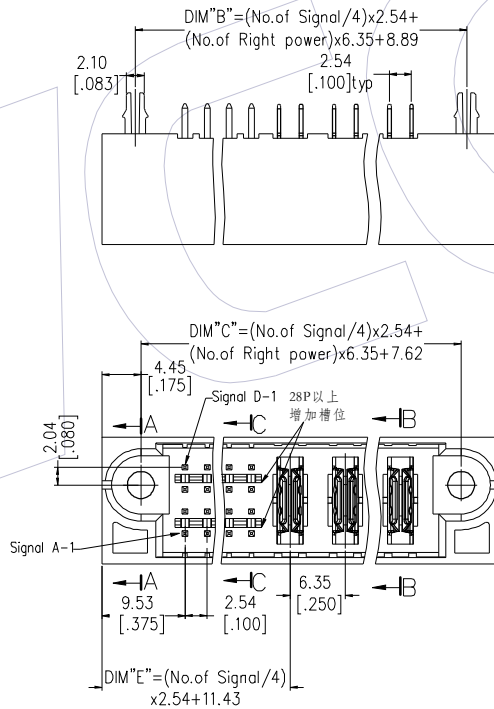
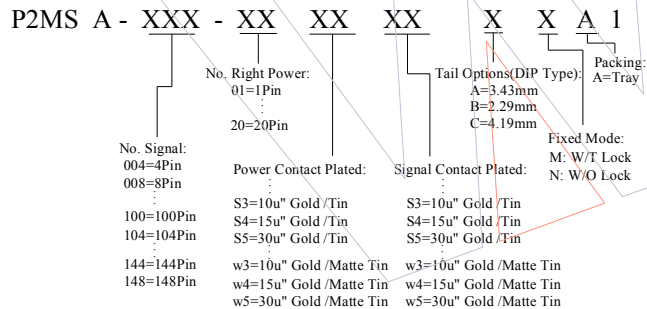
HSF


NOTES:

- Insulator material: PA9T+33%G.F, UL94 V-0;
- Terminal material: Copper Alloy;
Terminal Plating: Au/Sn Plated Over Nickel ;
- Rated Voltage: 50V;
- Rated Current: Power 30A; Signal 2.5A;
- Contact Resistance:
Power 0.7mΩ Max; Signal 20mΩ Max;
- Insulation Resistance: DC500V
Power 10000MΩ Min; Signal 500MΩ Min;
- Insulation Withstand Voltage:
Power 2500VAC/1min; Signal 1000VAC/1min ;
- Durability :200 cycling;
- Operation Temperature:-20°C to +105°C;



Recommended P.C.B Layout(Top Side)
(PCB BOARD TOLERANCE±0.05)

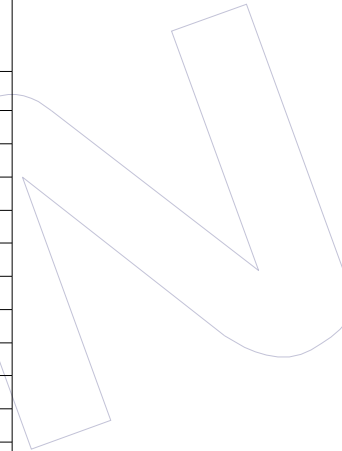



				OPERATION	DRAW	DATE	SCALE	FIT	PART NO.	 Http: www.wcon.com
				x.x ±0.40	XSR	2018/10/10	UNIT	mm	P2MSA-XXX-XXXXXXXXA1	
				x.xx ±0.25	CHECK	DATE	SIZE	inch	TITLE:	WCON-Dongguan Tel: +86 769 85358920 Fax: +86 769 85358915 E-mail: sales@wcon.com
				x.xxx ±0.15	APPROVE	DATE	SHEET	A4	PSP Spacing A 180° DIP MALE (TYPE-2: 2.54Signal+Right Power)	
A0	2018/10/10	NEW		Angle ± 3°			PROJ.	1/2	Customer NO.	
REV	DATE	MODIFICATION DESCRIPTION	CHANGE	DIM TOL						

HSF

Product Data Sheet

No.	P/N	No. Signal	No. Right Power	DIM "A"	DIM "B"	DIM "C"	DIM "E"	DIM "F"	DIM "H"
1	P2MSA-048-18XXXXXXA1	48	18	161.29	153.67	152.40	41.91	162.05	36.83
2	P2MSA-032-14XXXXXXA1	32	14	125.73	118.11	116.84	31.75	126.49	26.67
3	P2MSA-032-12XXXXXXA1	32	12	113.03	105.41	104.14	31.75	113.79	26.67
4	P2MSA-032-04XXXXXXA1	32	4	62.23	54.61	53.34	31.75	62.99	26.67
5	P2MSA-032-02XXXXXXA1	32	2	49.53	41.91	40.64	31.75	50.29	26.67
6	P2MSA-028-06XXXXXXA1	28	6	72.39	64.77	63.50	29.21	73.15	24.13
7	P2MSA-028-04XXXXXXA1	28	4	59.69	52.07	50.80	29.21	60.45	24.13
8	P2MSA-028-02XXXXXXA1	28	2	46.99	39.37	38.10	29.21	47.75	24.13
9	P2MSA-024-16XXXXXXA1	24	16	133.35	125.73	124.46	26.67	134.11	21.59
10	P2MSA-024-14XXXXXXA1	24	14	120.65	113.03	111.76	26.67	121.41	21.59
11	P2MSA-024-08XXXXXXA1	24	8	82.55	74.93	73.66	26.67	83.31	21.59
12	P2MSA-024-06XXXXXXA1	24	6	69.85	62.23	60.96	26.67	70.61	21.59
13	P2MSA-024-04XXXXXXA1	24	4	57.15	49.53	48.26	26.67	57.91	21.59
14	P2MSA-020-14XXXXXXA1	20	14	118.11	110.49	109.22	24.13	118.87	19.05
15	P2MSA-020-04XXXXXXA1	20	4	54.61	46.99	45.72	24.13	55.37	19.05
16	P2MSA-016-05XXXXXXA1	16	5	58.42	50.80	49.53	21.59	59.18	16.51
17	P2MSA-016-04XXXXXXA1	16	4	52.07	44.45	43.18	21.59	52.83	16.51
18	P2MSA-016-02XXXXXXA1	16	2	39.37	31.75	30.48	21.59	40.13	16.51
19	P2MSA-012-04XXXXXXA1	12	4	49.53	41.91	40.64	19.05	50.29	13.97
20	P2MSA-008-04XXXXXXA1	8	4	46.99	39.37	38.10	16.51	47.75	11.43
21	P2MSA-008-03XXXXXXA1	8	3	40.64	33.02	31.75	16.51	41.40	11.43
22	P2MSA-004-07XXXXXXA1	40	7	86.36	78.74	77.47	36.83	87.12	31.75
23	P2MSA-004-04XXXXXXA1	4	4	44.45	36.83	35.56	13.97	45.21	8.89



				OPERATION	DRAW	DATE	SCALE	FIT	PART NO.	 Http: www.wcon.com
				x.x ±0.40	XSR	2018/10/10	UNIT	mm	P2MSA-XXX-XXXXXXXXA1	
				x.xx ±0.25	CHECK	DATE	SIZE	A4	TITLE:	
A0	2018/10/10	NEW	—	x.xxx ±0.15	APPROVE	DATE	SHEET	2/2	PSP Spacing A 180° DIP MALE (TYPE-2: 2.54Signal+Right Power)	
REV	DATE	MODIFICATION DESCRIPTION	CHANGE	Angle ± 3° DIM TOL			PROJ.	⊕ ↺	Customer NO.	
									WCON-Dongguan Tel: +86 769 85358920 Fax: +86 769 85358915 E-mail: sales@wcon.com	WCON-Kunshan Tel: +86 512 57468408 Fax: +86 512 57468468 E-mail: salesks@wcon.com