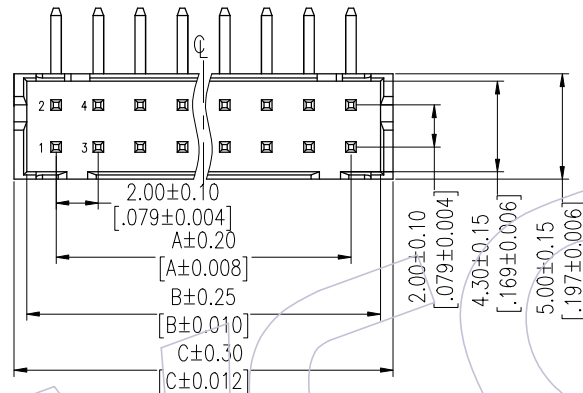
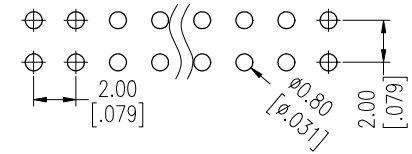


HSF

NOTES:
 Rated Voltage:250V AC/DC
 Rated Current:2.0AMP
 Contact Resistance:20mΩ max
 Withstand Voltage:800V AC/DC
 Insulation Resistance:1000MΩ min
 Operation Temperature:-25℃ to +85℃

Contact Material:Brass
 Contact plating:Au or Sn over Ni
 Insulator Material:PA66 Or PA46(UL94V-0)

Recommended P.C.B Layout(Top Side)
 (PCB BOARD TOLERANCE±0.05)

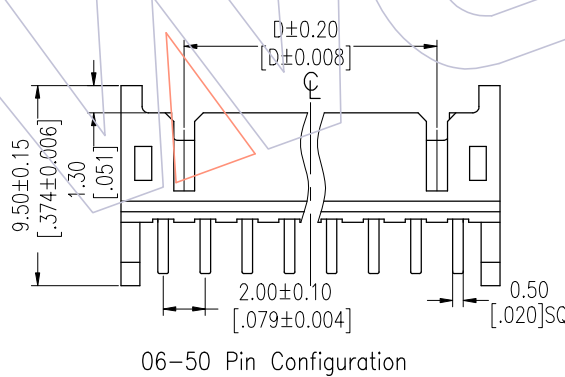


04 PIN Configuration

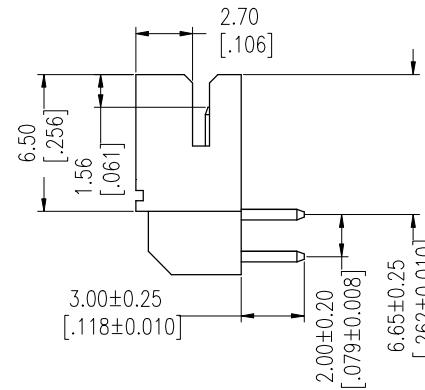
Ordering Information

WF2002 - WR H XX X X X

No. of pins: 04-50P
 Contact Plating: S0=Gold Flash/Tin, S3=10u"Gold/Tin, S4=15u"Gold/Tin, S5=30u"Gold/Tin, G0=Gold Flash, G3=10u"Gold, G4=15u"Gold, G5=30u"Gold, Blank=Tin
 Color: B=Black, E=Beige, W=White
 Packing: A=Tray, T=Tube
 H=PA46, Blank=PA66



06-50 Pin Configuration



Specification & Ordering Information:

Circuit	Part No.	Dimension			
		A	B	C	D
04	WF2002-WR04XXX	2.00	4.80	6.00	---
06	WF2002-WR06XXX	4.00	6.80	8.00	2.00
08	WF2002-WR08XXX	6.00	8.80	10.00	4.00
10	WF2002-WR10XXX	8.00	10.80	12.00	6.00
12	WF2002-WR12XXX	10.00	12.80	14.00	8.00
14	WF2002-WR14XXX	12.00	14.80	16.00	10.00
16	WF2002-WR16XXX	14.00	16.80	18.00	12.00
18	WF2002-WR18XXX	16.00	18.80	20.00	14.00
20	WF2002-WR20XXX	18.00	20.80	22.00	16.00
22	WF2002-WR22XXX	20.00	22.80	24.00	18.00
24	WF2002-WR24XXX	22.00	24.80	26.00	20.00
26	WF2002-WR26XXX	24.00	26.80	28.00	22.00
28	WF2002-WR28XXX	26.00	28.80	30.00	24.00
30	WF2002-WR30XXX	28.00	30.80	32.00	26.00
32	WF2002-WR32XXX	30.00	32.80	34.00	28.00
34	WF2002-WR34XXX	32.00	34.80	36.00	30.00
36	WF2002-WR36XXX	34.00	36.80	38.00	32.00
38	WF2002-WR38XXX	36.00	38.80	40.00	34.00
40	WF2002-WR40XXX	38.00	40.80	42.00	36.00
42	WF2002-WR42XXX	40.00	42.80	44.00	38.00
44	WF2002-WR44XXX	42.00	44.80	46.00	40.00
46	WF2002-WR46XXX	44.00	46.80	48.00	42.00
48	WF2002-WR48XXX	46.00	48.80	50.00	44.00
50	WF2002-WR50XXX	48.00	50.80	52.00	46.00

REV	DATE	MODIFICATION DESCRIPTION	CHANGE	OPERATION	DRAW	DATE	SCALE	FIT	PART NO.
A2	2020/09/10	Modify TAB	△2	Du Ying	x.x ±0.40	2020/09/10	UNIT	mm	SEE TAB
A1	2013/01/30	Add The 04 Pin Configuration Draw	△1	JYHuang	x.xx ±0.25	DATE	SIZE	A4	TITLE:
AO	2012/08/25	NEW	---	---	x.xxx ±0.15	DATE	SHEET	1/1	PHD2.0 WAFER 90°
					Angle ± 3°		PROJ.	Customer NO.	
					DIM TOL				

WCON

Http: www.wcon.com

WCON-Dongguan Tel: +86 769 85358920 Fax: +86 769 85358915 E-mail: sales@wcon.com
 WCON-Kunshan Tel: +86 512 57468408 Fax: +86 512 57468468 E-mail: salesks@wcon.com