

HSF

NOTES:

Current Rating: 2.0AMP
 Contact Resistance: 20mΩ Max
 Withstand Voltage: 500V AC
 Insulation Resistance: 1000MΩ Min
 Operation Temperature: -40°C to +105°C

Contact Material: Phosphor Bronze
 Contact plating: Au over Ni
 Insulator Material: PA9T+33%G.F UL94V-0
 Cap Material: PA9T+33%G.F UL94V-0

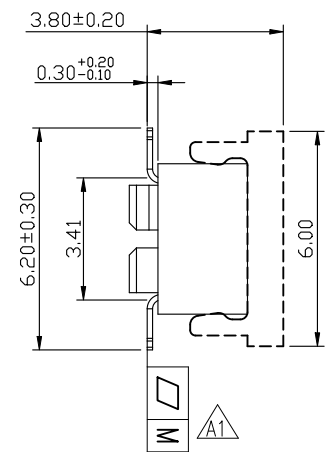
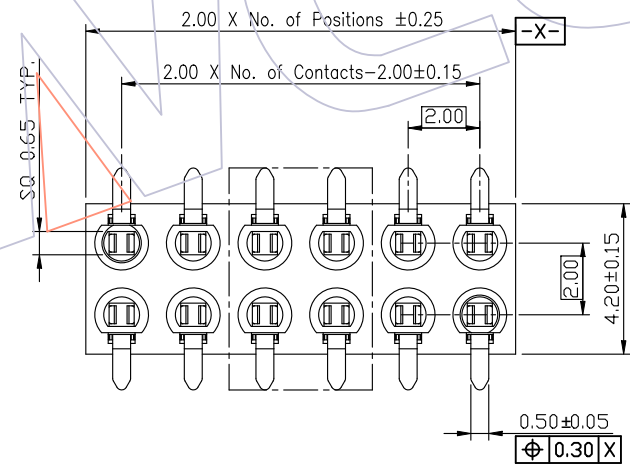
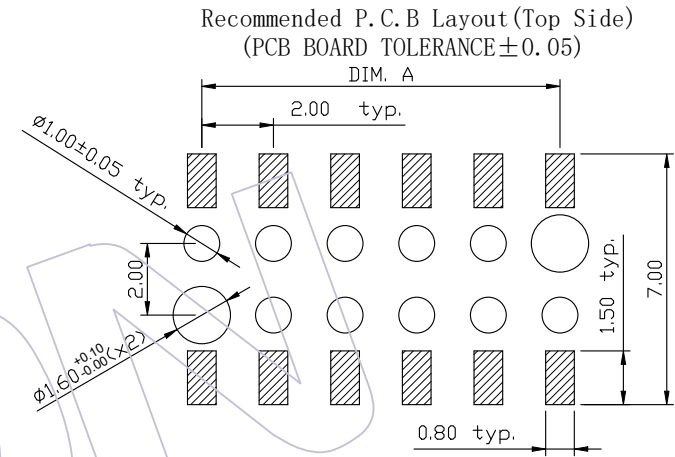
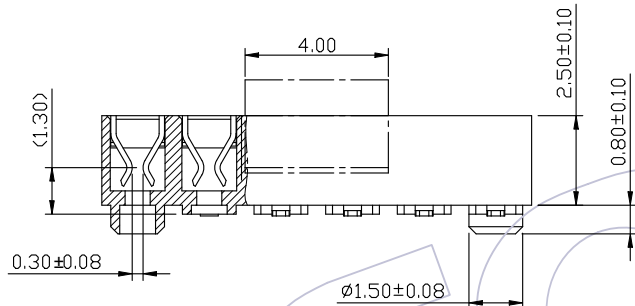
Ordering Information

2228T-2 XX M XX CUN X 2

No. of Pins per Row: 02~22Pin

Contact Plating:
 G0=Gold Flash
 G3=10μ"Gold
 G4=15μ"Gold

Packing:
 R=Tape&Reel+CAP
 P=Tape+CAP
 T=Tape



A1	Pin(Per Row)	2-15P	16-22P
	M	0.10	0.15

REV	DATE	MODIFICATION DESCRIPTION	CHANGE	OPERATION		DRAW	DATE	SCALE	FIT	PART NO.
				X.X	±0.40					
A1	2023.02.14	Add Flatness	----	X.XX	±0.25	Liu Hui	2023.02.14	UNIT	mm	2228T-2XXMXXCUNX2
A0	2016.07.10	NEW	----	X.XXX	±0.15	CHECK	DATE	SIZE	A4	TITLE: 2.0mm Female Header DUAL ROW 180°SMT H=2.8 W=6.2
				Angle	± 3'	APPROVE	DATE	SHEET	1/1	Customer NO.
				DIM	TOL			PROJ.		

WCON
 Http: www.wcon.com

WCON-Dongguan	WCON-Kunshan
Tel: +86 769 85358920	Tel: +86 512 57468408
Fax: +86 769 85358915	Fax: +86 512 57468468
E-mail: sales@wcon.com	E-mail: salesks@wcon.com