

HSF

NOTES:

- 1.Current Rating: 8.0A Max AT 20°C;
- 2.Contact Resistance: 20mΩ Max;
- 3.Operating Temperature: -40°C to +125°C;
- 4.Contact Material: Copper Alloy;
- 5.Contact plating:
 SN: 100μ" TIN Over 50μ" Nickel;
 SX: xxμ" Gold on contact area
 (See ordering information),
 50μ" Nickel underplating overall;
- 6.Wire Size Range: 24-22AWG;
- 7.Insulation range: 1.1-1.35mm;

Part NO	Contact Plating
3918- TCSN01	TIN
3918-3TCSX01	GOLD

Ordering Information

3918- X T C XX 01

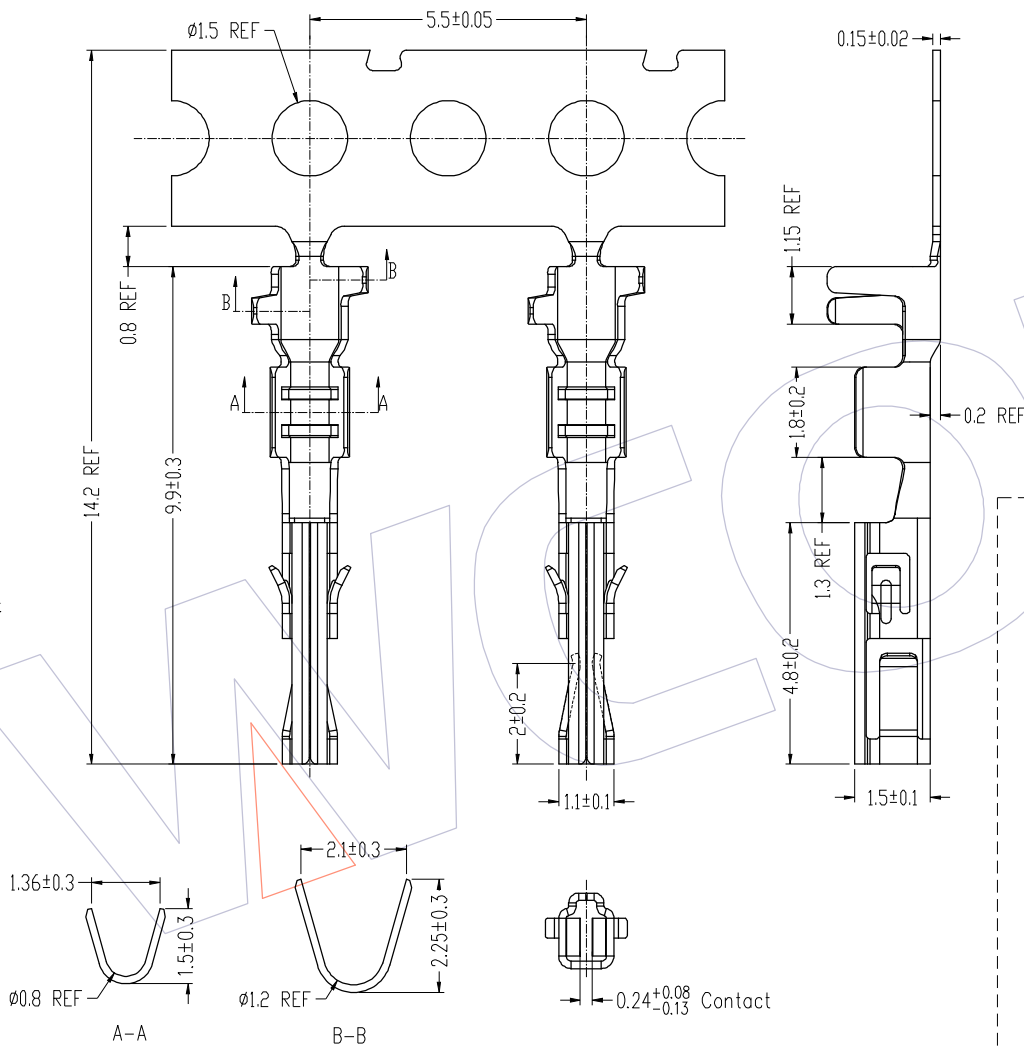
Technology:
 Empty=Forming
 3=Cutting+
 Electroplate+Forming

Terminal

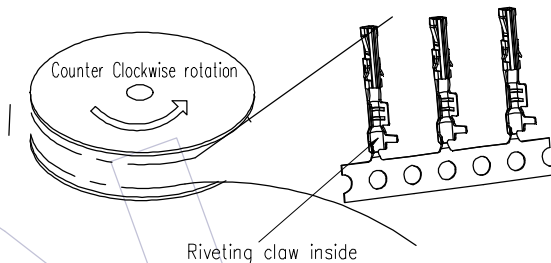
Material:
 C=C7025

Contact Plating:
 SN=100μ" TIN
 S1=Gold FLASH/NI
 S3=10u" Gold/NI
 S5=30u" Gold/NI

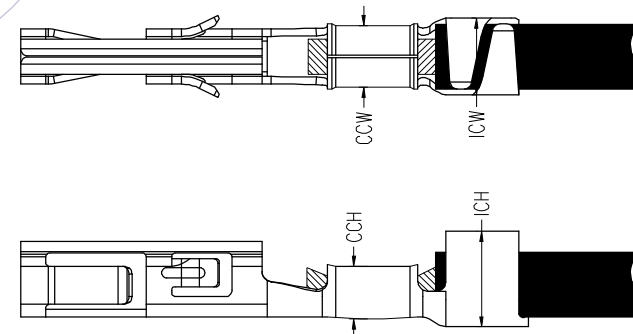
WCON internal code



SCHEMATIC DIAGRAM OF DISCHARGE DIRECTION



Recommended crimp dimensions



AWG	Strip length	CCH (±0.05mm)	CCW (±0.03mm)	ICH(mm)	ICW(mm)
24	2.80±0.20	0.63	1.22	1.90MAX	1.65MAX
22	2.80±0.20	0.70	1.22	1.90MAX	1.65MAX

REV	DATE	MODIFICATION DESCRIPTION	CHANGE	OPERATION		DRAW Houfu Peng	DATE 2022. 07. 01	SCALE UNIT	FIT mm	PART NO. 3918-XTCXX01
				x.x	±0.40					
A1	2023. 06. 06	Add recommended crimp dimensions	OHJ	x.xx	±0.25	CHECK	DATE	SIZE	A4	TITLE: 2.0mm BSC Series Crimp Terminal (24-22AWG)
A0	2022. 07. 01	NEW	—	x.xxx	±0.15	APPROVE	DATE	SHEET	1/1	Customer NO.
				Angle	± 3'			PROJ.	⌀	

WCON

Http: www.wcon.com

WCON-Dongguan
 Tel: +86 769 85358920
 Fax: +86 769 85358915
 E-mail: sales@wcon.com

WCON-Kunshan
 Tel: +86 512 57468408
 Fax: +86 512 57468468
 E-mail: salesks@wcon.com