

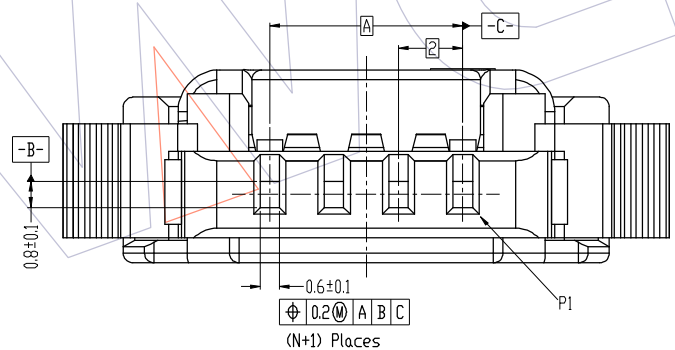
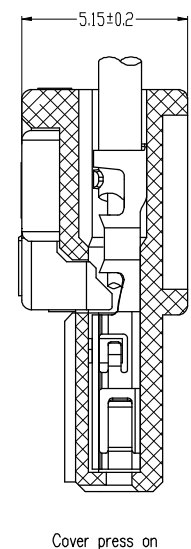
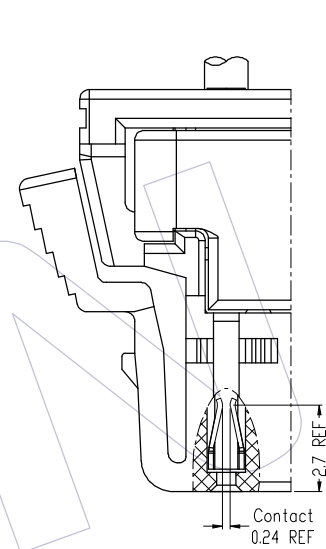
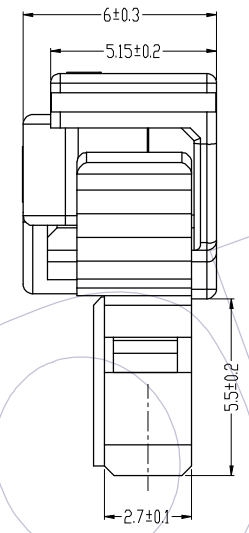
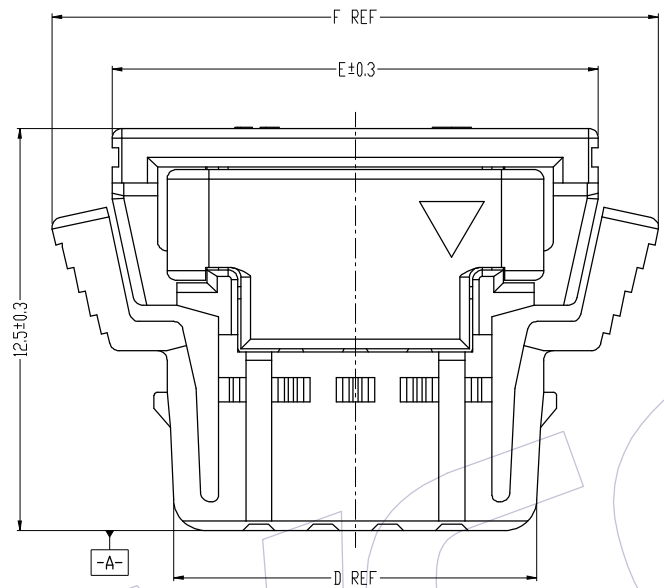
HSF

- NOTES:
 1. Operating Temperature: -40°C to +125°C;
 2. Withstand Voltage: 1600V AC;
 3. Insulation Resistance: 1000MΩ Min ;
 4. Insulator Material: PA66;

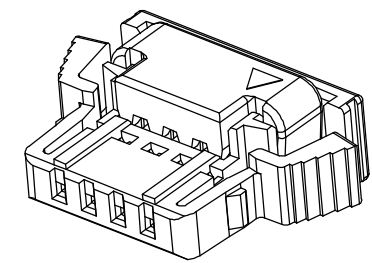
Ordering Information

3918-S XX - 1 C 00 G B X A 1

- S=Socket
- No. of Pins:
 02=2P; 03=3P;
 04=4P; 05=5P;
 06=6P; 08=8P;
 10=10P; 12=12P;
- 1=Single Row
- C=Crimp
- 00=WITHOUT Terminal
- G=WITH COVER
- B=PA66
- Color:
 T=Natural
 B=Black
- A=TRAY
- WCON internal code



Cover loose mounted



PIN	A	D	E	F
2	2.0	7.29	11.1	14.85
3	4.0	9.29	13.1	16.85
4	6.0	11.29	15.1	18.85
5	8.0	13.29	17.1	20.85
6	10.0	15.29	19.1	22.85
8	14.0	19.29	23.1	26.85
10	18.0	23.29	27.1	30.85
12	22.0	27.29	31.1	34.85

REV	DATE	MODIFICATION DESCRIPTION	CHANGE	OPERATION		DRAW	DATE	SCALE	FIT	PART NO.
				X.X	±0.40					
				X.XX	±0.25	CHECK	DATE	SIZE	A4	TITLE: 2.0mm BSC Series
A0	2022. 03. 02	NEW		X.XXX	±0.15	APPROVE	DATE	SHEET	1/1	Single Row Socket
				Angle	± 3'			PROJ.	⌀	Customer NO.

WCON
 Http: www.wcon.com

WCON-Dongguan Tel: +86 769 85358920 Fax: +86 769 85358915 E-mail: sales@wcon.com	WCON-Kunshan Tel: +86 512 57468408 Fax: +86 512 57468468 E-mail: salesks@wcon.com
---	--