

# HSF

**NOTES:**

- 1.Current Rating:8.0A Max AT 20°C;
- 2.Contact Resistance: 20mΩ Max;
- 3.Withstand Voltage: 1600V AC;
- 4.Insulation Resistance: 1000MΩ Min;
- 5.Operating Temperature: -40°C to +125°C;
- 6.Insulator Material: LCP,G.F,UL94V-0,NATURAL & BK;
- 7.Contact Material: Copper Alloy;
- 8.Contact plating:  
SM: 100μ" Matte TIN Over 50μ" Nickel;  
WX: xxμ" Gold on contact area (See ordering information),  
100μ" Matte TIN on solder area,  
50μ" Nickel underplating overall;
- 9.Recommended process:  
IR soldering,Peak temperature:260±5°C, 5s ;

## Ordering Information

3918-P XX-1 Z XX W D X R 1

- P=Plug
- No. of Pins:  
02=2P; 03=3P;  
04=4P; 05=5P;  
06=6P; 08=8P;  
10=10P; 12=12P;

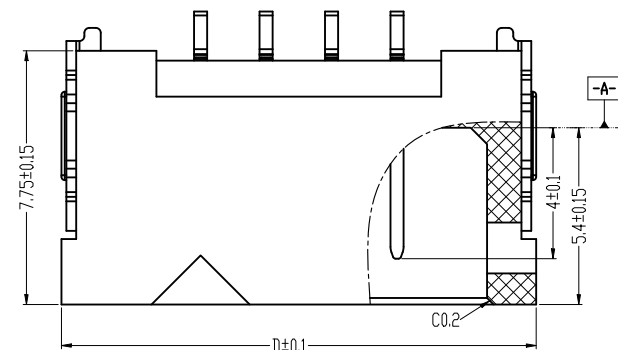
- 1=Single Row
- Z=R/A SMT

- Contact Plating:  
SM=Matte Sn  
W0=Gold FLASH/Matte Tin  
W3=10μ" Gold/Matte Tin  
W5=30μ" Gold/Matte Tin

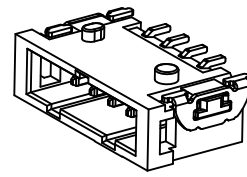
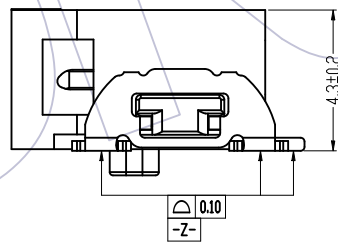
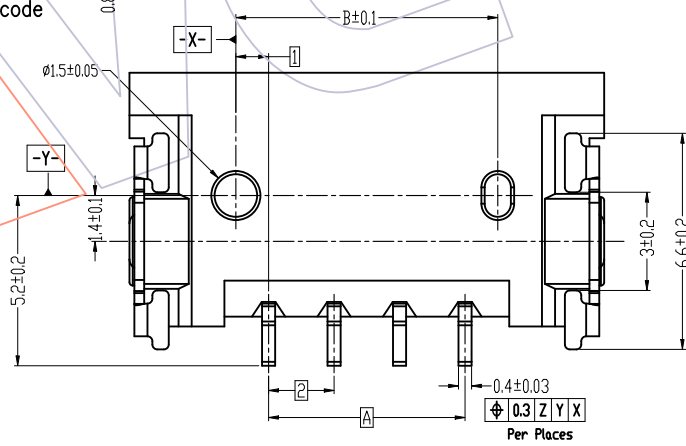
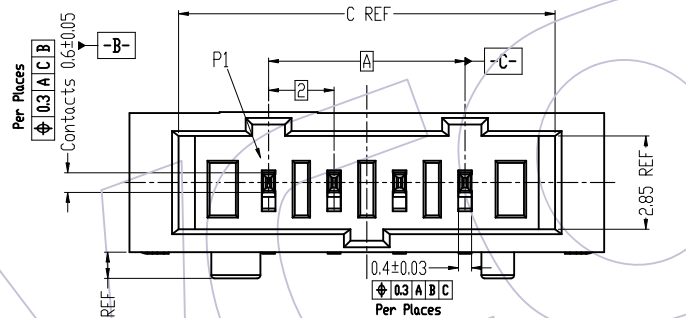
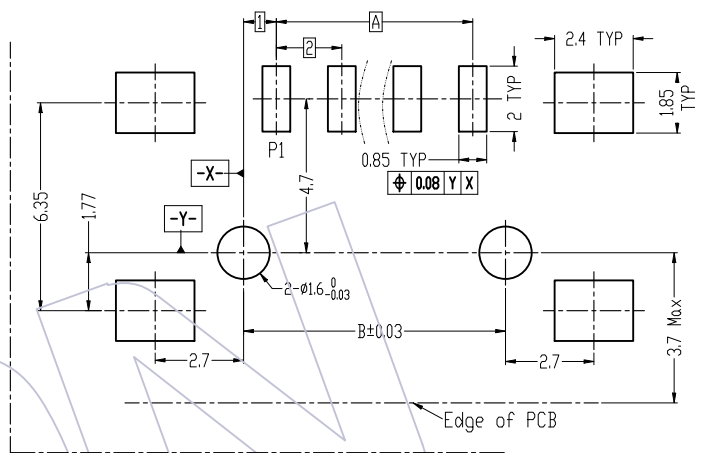
W=WITH GUIDE PIN AND FIXATOR

D=LCP

- WCON internal code
- R=Reel
- Color:  
T=Natural  
B=Black



### Recommended P.C.B Layout(Top Side) (PCB BOARD TOLERANCE±0.05)



PIN	A	B	C	D
2	2.0	4.0	7.5	10.5
3	4.0	6.0	9.5	12.5
4	6.0	8.0	11.5	14.5
5	8.0	10.0	13.5	16.5
6	10.0	12.0	15.5	18.5
8	14.0	16.0	19.5	22.5
10	18.0	20.0	23.5	26.5
12	22.0	24.0	27.5	30.5

REV	DATE	MODIFICATION DESCRIPTION	CHANGE	OPERATION	DRAW	DATE	SCALE	FIT	PART NO.
A0	2022. 03. 28	NEW		X.X ±0.40	Houfu Peng	2022. 03. 28	UNIT mm		3918-PXX-1ZXXWDXR1
				X.XX ±0.25	CHECK	DATE	SIZE A4		TITLE: 2.0mm BSC Series Single Row Male 90° SMT Type
				X.XXX ±0.15	APPROVE	DATE	SHEET 1/1		Customer NO.
				Angle ± 3°			PROJ.		
				DIM TOL					

# WCON

Http: www.wcon.com

WCON-Dongguan Tel: +86 769 85358920  
WCON-Kunshan Tel: +86 512 57468408  
Fax: +86 769 85358915 Fax: +86 512 57468468  
E-mail: sales@wcon.com E-mail: salesks@wcon.com