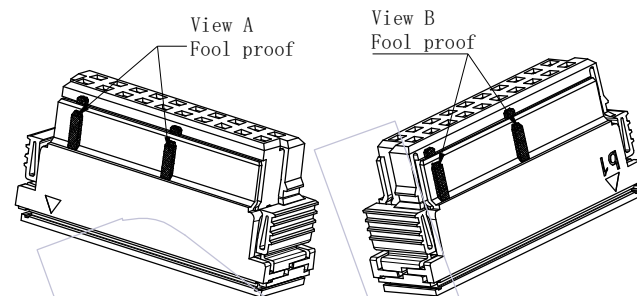
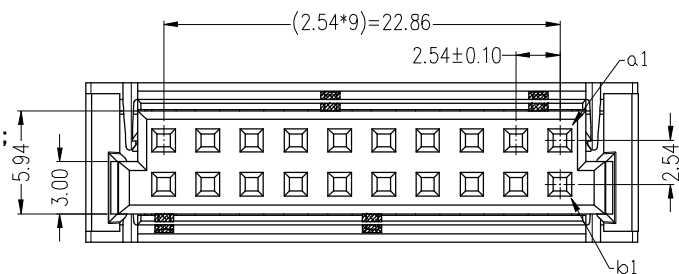
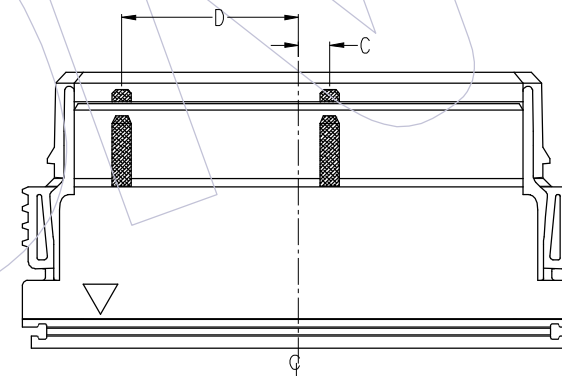
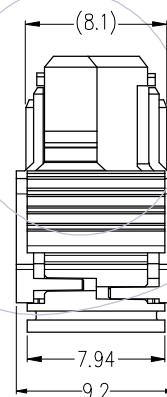
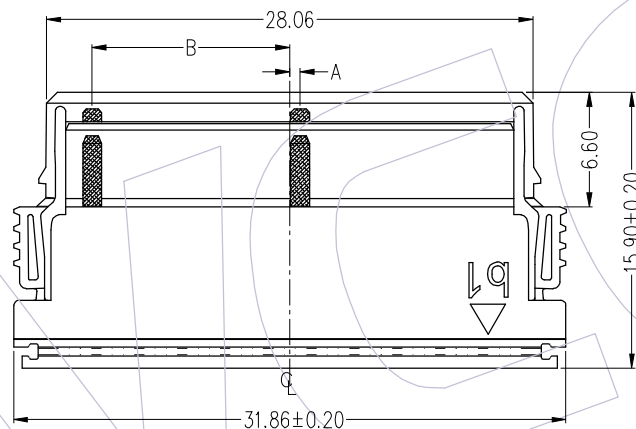


NOTES:

- 1.No.of Positions: 20 Pin
- 2.Withstand Voltage: 2000V AC;
- 3.Insulation Resistance:1000MQ Min ;
- 4.Operation Temperature:-55℃ to +125℃ ;
- 5.Housing Material: PA46



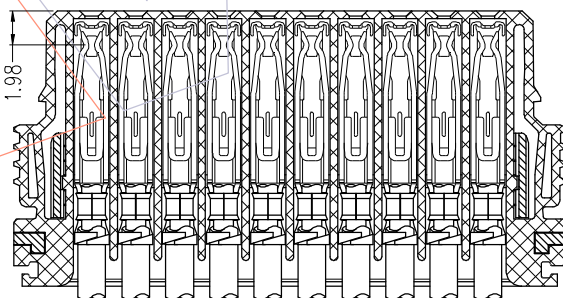
Fool proof diagram



Ordering Information


3915-S 20-2 C 00 G E X A 1

Color:
B=BLACK
U=BLUE
G=GREEN
R=RED

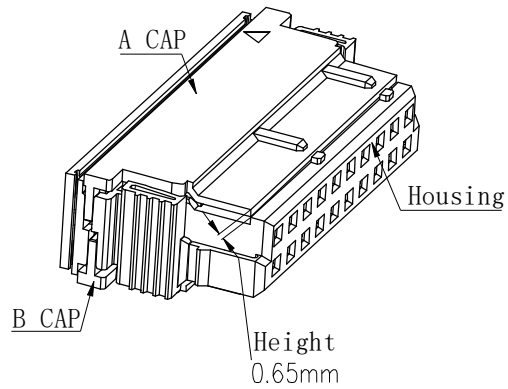


Terminal diagram

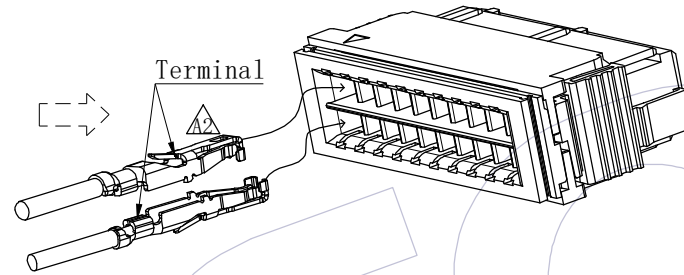
PART NO.	COLOR	防呆尺寸			
		A	B	C	D
3915-S20-2C00GEB A1	BLACK	0.6	11.4	1.8	10.2
3915-S20-2C00GEU A1	BLUE	1.8	10.2	3.6	8.4
3915-S20-2C00GEG A1	GREEN	3.6	8.4	5.4	6.6
3915-S20-2C00GER A1	RED	5.4	6.6	0.6	11.4

A3	2022/09/05	Modified Withstand Voltage	—	OPERATION	DRAW	DATE	SCALE	FIT	PART NO. 3915-S20-2C00GEXA1	TITLE: LSC Connector - Dual Row Socket Crimp type (20 PIN)	Customer NO.	 Http: www.wcon.com
A2	2022/07/22	Terminal Add Fool Proof	—	x.X ±0.40	GH	2022/09/05	UNIT	mm				
A1	2019/07/26	Update surface	—	x.XX ±0.25	CHECK	DATE	SIZE	A4	WCON-Dongguan Tel: +86 769 85358920 Fax: +86 769 85358915 E-mail: sales@wcon.com		WCON-Kunshan Tel: +86 512 57468408 Fax: +86 512 57468468 E-mail: salesks@wcon.com	
A0	2019/05/22	NEW	—	x.XXX ±0.15	APPROVE	DATE	SHEET	1/2				
REV	DATE	MODIFICATION DESCRIPTION	CHANGE	Angle ± 3° DIM TOL			PROJ.					

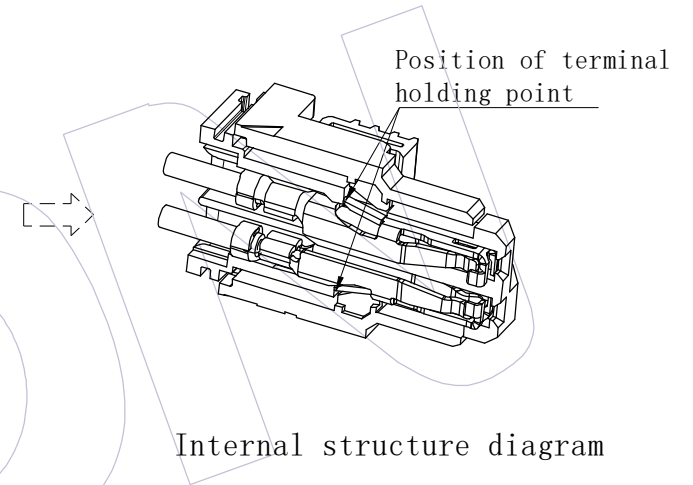
Instructions:



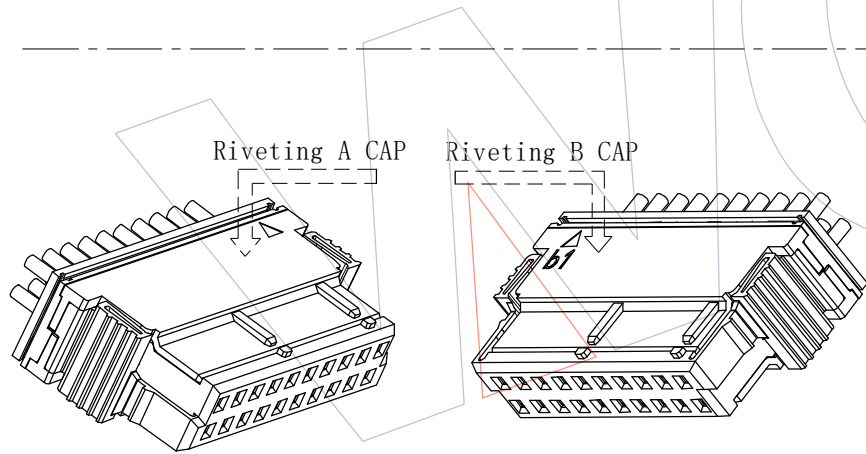
Cover loose mounted



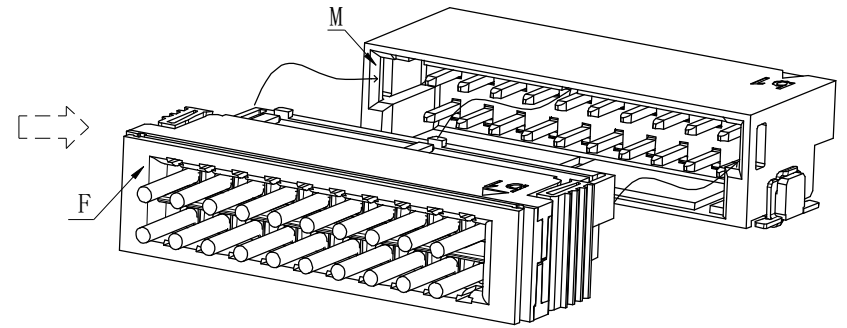
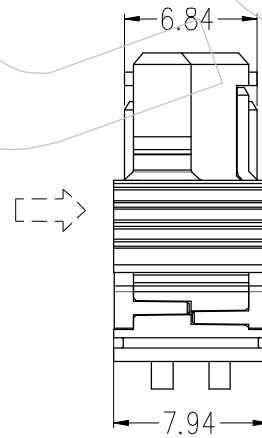
Inserted Female Terminal




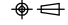
Internal structure diagram



Riveting diagram



Male/Female Mate

A3	2022/08/05	Modified Withstand Voltage	—	OPERATION	DRAW GH	DATE	SCALE	FIT	PART NO. 3915-S20-2C00GEXA1	 Http: www.wcon.com	
A2	2022/07/22	Terminal Add Fool Proof	—	x.x		±0.40					2022/09/05
A1	2019/07/26	Update surface	—	x.xx	±0.25	DATE	SIZE	A4	TITLE: LSC Connector - Dual Row Socket Crimp type (20 PIN)		
A0	2019/05/22	NEW	—	x.xxx	±0.15	DATE	SHEET	2/2	Customer NO.		
REV	DATE	MODIFICATION DESCRIPTION	CHANGE	DIM	TOL	APPROVE	DATE	PROJ.		WCON-Dongguan Tel: +86 769 85358920 Fax: +86 769 85358915 E-mail: sales@wcon.com	WCON-Kunshan Tel: +86 512 57468408 Fax: +86 512 57468468 E-mail: salesks@wcon.com