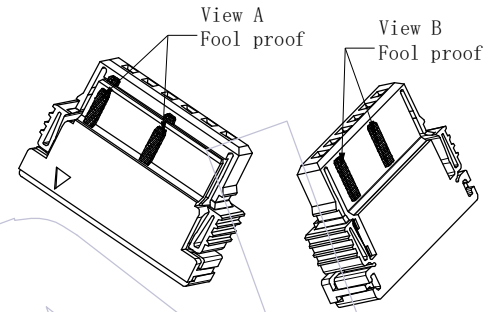
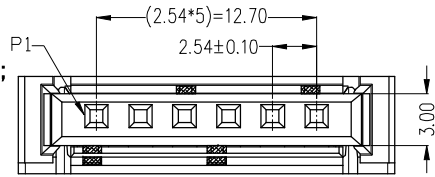


NOTES:

- 1.No.of Positions:6 Pin
- 2.Withstand Voltage: 2000V AC; \triangle
- 3.Insulation Resistance:1000M Ω Min ;
- 4.Operation Temperature: -55 $^{\circ}$ C to +125 $^{\circ}$ C ;
- 5.Housing Material: PA46

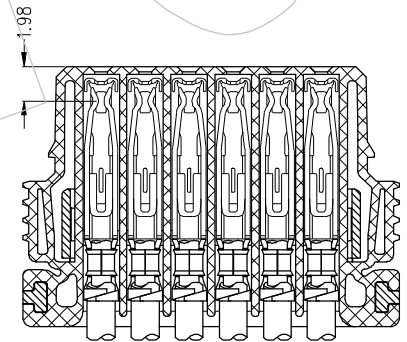
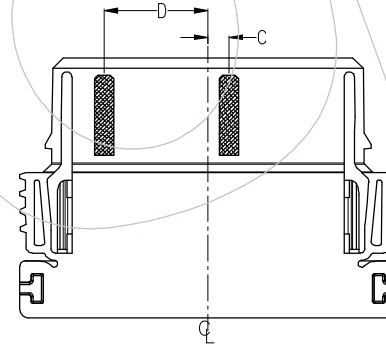
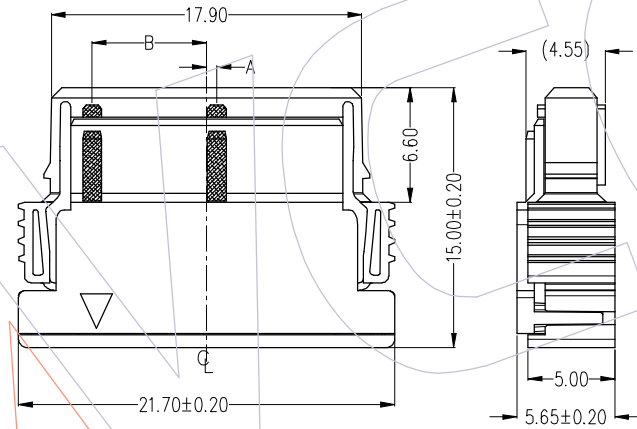


Fool proof diagram

Ordering Information

3915-S 06-1 C 00 G E X A 1

Color:
B=BLACK
U=BLUE
G=GREEN
R=RED



Terminal diagram

PART NO.	COLOR	防呆尺寸			
		A	B	C	D
3915-S06-1C00GEB A1	BLACK	0.6	6.6	1.2	6.0
3915-S06-1C00GEU A1	BLUE	1.8	5.4	2.4	4.8
3915-S06-1C00GEG A1	GREEN	3.0	4.2	3.6	3.6
3915-S06-1C00GER A1	RED	4.2	3.0	4.8	2.4

REV	DATE	MODIFICATION DESCRIPTION	CHANGE	OPERATION	DRAW GH	DATE	SCALE	FIT	PART NO.
A2	2022/09/05	Modified Withstand Voltage	—	x.x ±0.40	GH	2022/09/05	UNIT	mm	3915-S06-1C00GEXA1
A1	2022/07/22	Terminal Add Fool Proof	—	x.xx ±0.25	CHECK	DATE	inch	SIZE	
A0	2019/07/05	NEW	—	x.xxx ±0.15	APPROVE	DATE	SHEET	1/2	TITLE: LSC Connector - Single Row Socket Crimp type (6 PIN)
				Angle ± 3°			PROJ.	Customer NO.	
				DIM TOL					

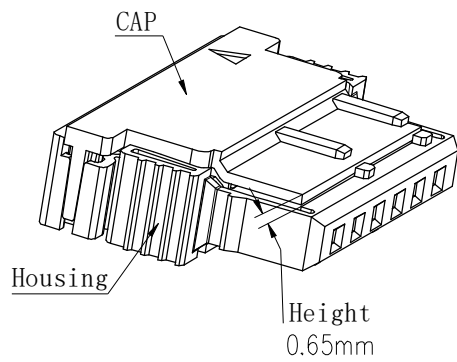
WCON

Http: www.wcon.com

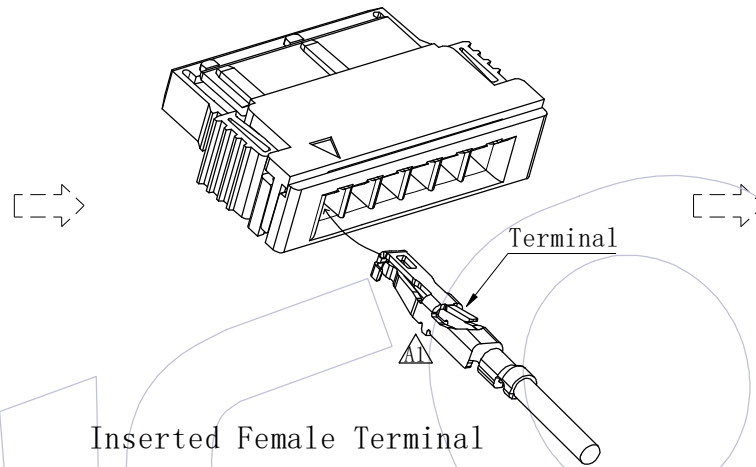
WCON-Dongguan Tel: +86 769 85358920 Fax: +86 769 85358915 E-mail: sales@wcon.com

WCON-Kunshan Tel: +86 512 57468408 Fax: +86 512 57468468 E-mail: salesks@wcon.com

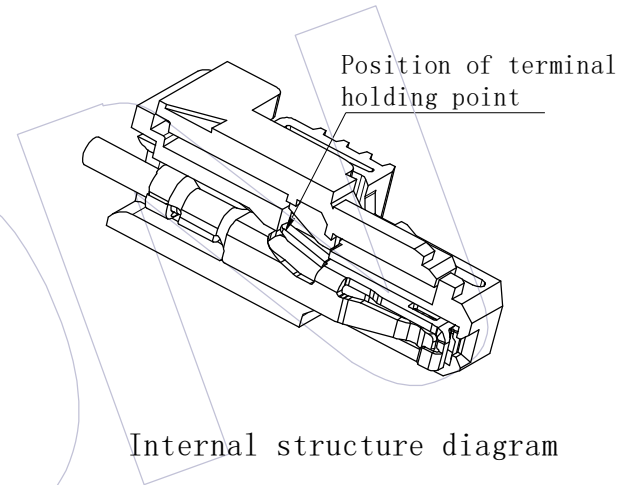
Instructions:



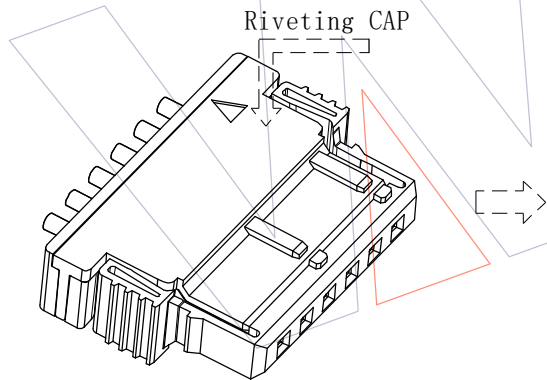
Cover loose mounted



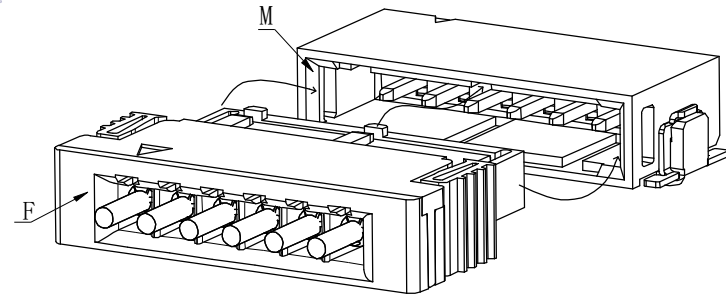
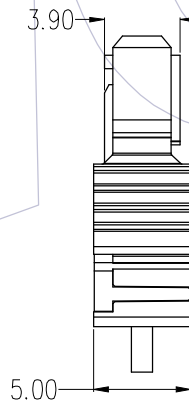
Inserted Female Terminal




Internal structure diagram



Riveting diagram



Male/Female Mate

REV	DATE	MODIFICATION DESCRIPTION	CHANGE	OPERATION	DRAW	DATE	SCALE	FIT	PART NO.	 Http: www.wcon.com
A2	2022/09/05	Modified Withstand Voltage	—	x.x ±0.40	GH	2022/09/05	UNIT	mm	3915-S06-1C00GEXA1	
A1	2022/07/22	Terminal Add Fool Proof	—	x.xx ±0.25	CHECK	DATE	SIZE	inch	TITLE:	
A0	2019/07/05	NEW	—	x.xxx ±0.15	APPROVE	DATE	SHEET	A4	LSC Connector - Single Row Socket Crimp type (6 PIN)	Customer NO.
				Angle ± 3°			PROJ.	2/2		
				DIM TOL						