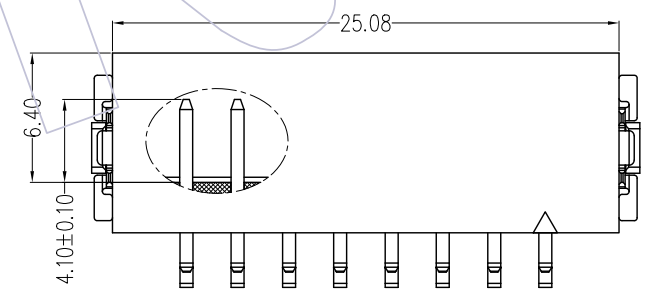
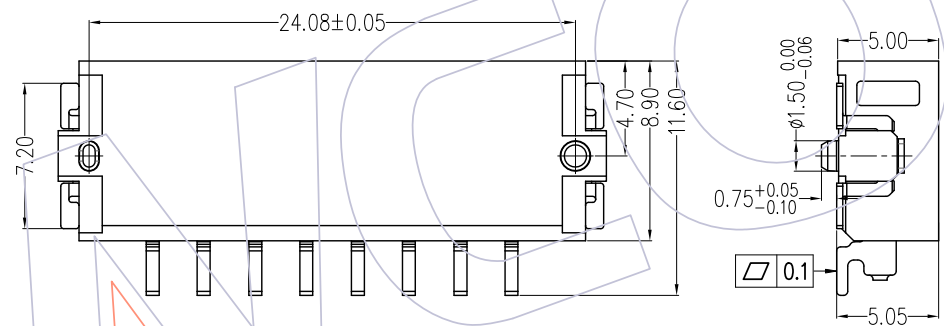
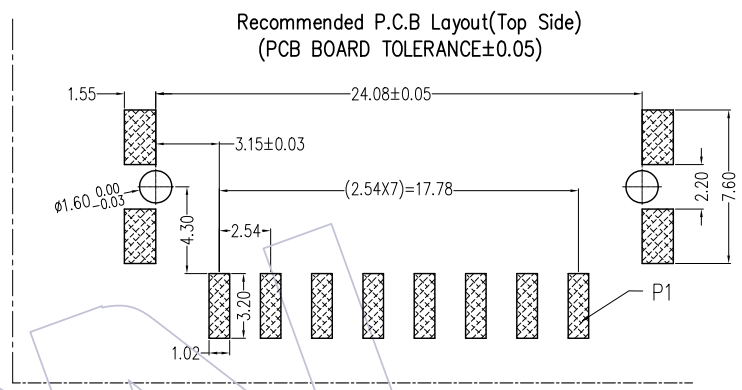
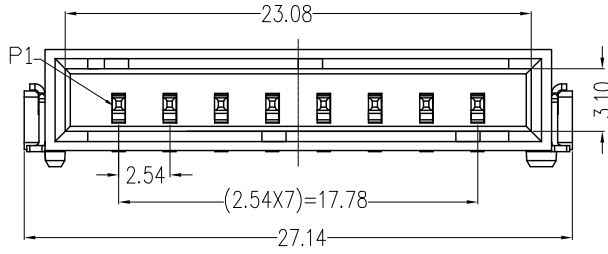


HSF

NOTES:

- 1.No.of Positions: 8 Pin
- 2.Rated Current: 12.0 A Max;
- 3.Contact Resistance: 20mΩ Max;
- 4.Withstand Voltage: 2000V AC;
- 5.Insulation Resistance: 1000MΩ Min;
- 6.Operation Temperature: -55℃ to +150℃;
- 7.Contact Material: Copper Alloy
- 8.Contact Plating: Au or Sn Over Ni
- 9.Insulator Material: High Temperature Thermoplastic(UL94V-0)

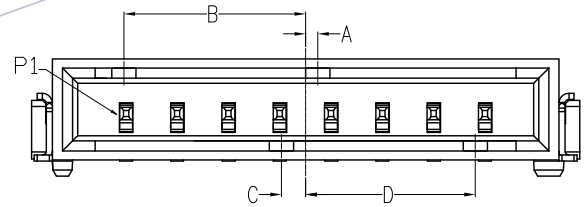


Ordering Information

3915-P 08-1 Z XX W D X R 1

Contact Plated:
W3=10u" Gold /Matte Sn
W4=15u" Gold /Matte Sn
W5=30u" Gold /Matte Sn

Color:
B=BLACK
U=BLUE
G=GREEN
R=RED



PART NO.	COLOR	防呆尺寸			
		A	B	C	D
3915-P08-1ZXXWDBR1	BLACK	0.6	9.0	1.2	8.4
3915-P08-1ZXXWDUR1	BLUE	1.8	7.8	2.4	7.2
3915-P08-1ZXXWDGR1	GREEN	3.0	6.6	3.6	6.0
3915-P08-1ZXXWDRR1	RED	4.2	5.4	4.8	4.8

REV	DATE	MODIFICATION DESCRIPTION	CHANGE	OPERATION		DRAW XSR	DATE	SCALE	FIT	PART NO.	TITLE:	WCON	
				Angle DIM	TOL							WCON-Dongguan	WCON-Kunshan
AO	2019/12/11	NEW		x.x	±0.40	CHECK	2019/12/11	UNIT	mm	3915-P08-1ZXXWDXR1	LSC Connector - Single Row 90°SMT Plug (8 PIN)	Tel: +86 769 85358920	Tel: +86 512 57468408
				x.xx	±0.25		DATE	SIZE	A4		Customer NO.	Fax: +86 769 85358915	Fax: +86 512 57468468
				x.xxx	±0.15	APPROVE	DATE	SHEET	1/1			E-mail: sales@wcon.com	E-mail: sales@wcon.com
								PROJ.					