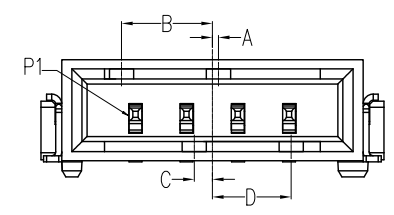
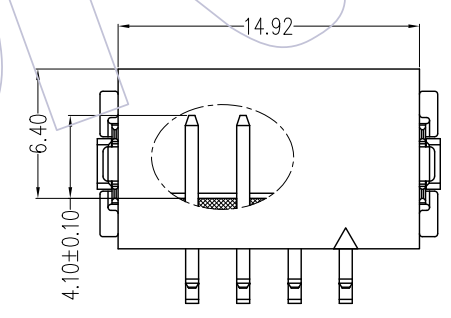
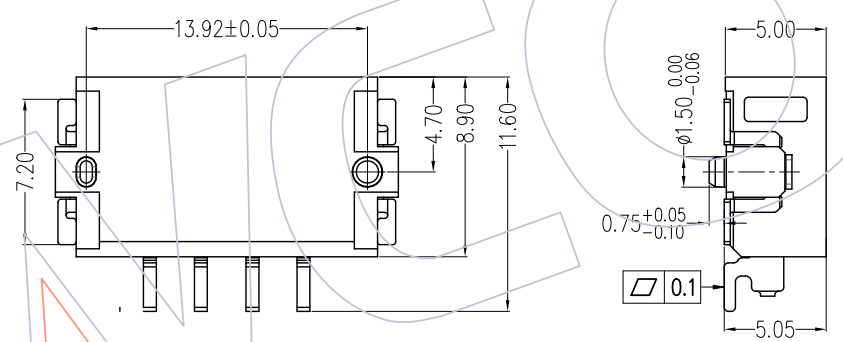
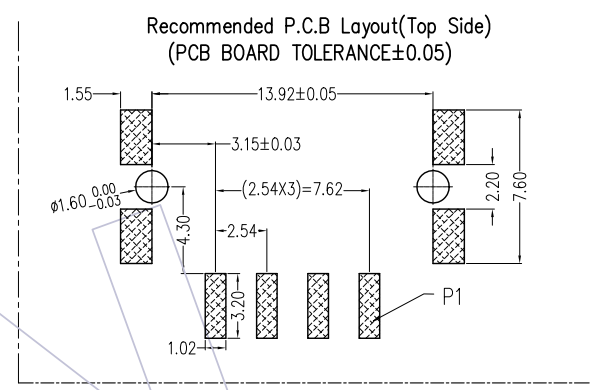
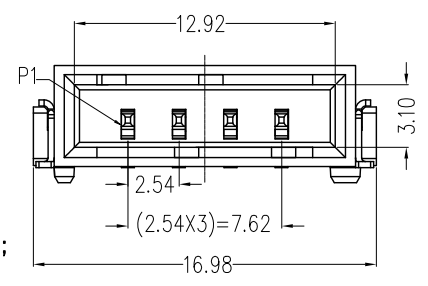


HSF

- NOTES:
- 1.No.of Positions: 4 Pin
 - 2.Rated Current: 12.0 A Max;
 - 3.Contact Resistance: 20mΩ Max;
 - 4.Withstand Voltage: 2000V AC;
 - 5.Insulation Resistance: 1000MΩ Min ;
 - 6.Operation Temperature: -55℃ to +150℃ ;

- 7.Contact Material: Copper Alloy
- 8.Contact Plating: Au or Sn Over Ni
- 9.Insulator Material: High Temperature Thermoplastic(UL94V-0)



Ordering Information

3915-P 04-1 Z XX W D X R 1

Contact Plated:
W3=10u" Gold /Matte Sn
W4=15u" Gold /Matte Sn
W5=30u" Gold /Matte Sn

Color:
B=BLACK
U=BLUE
G=GREEN
R=RED

PART NO.	COLOR	防呆尺寸			
		A	B	C	D
3915-P04-1ZXXWDBR1	BLACK	0.3	4.5	0.9	3.9
3915-P04-1ZXXWDUR1	BLUE	1.5	3.3	2.1	2.7
3915-P04-1ZXXWDGR1	GREEN	2.7	2.1	3.3	1.5
3915-P04-1ZXXWDRR1	RED	3.9	0.9	4.5	0.3

REV	DATE	MODIFICATION DESCRIPTION	CHANGE	OPERATION		DRAW XSR	DATE	SCALE	FIT	PART NO.	TITLE:	WCON	
				X.X	±0.40							UNIT	mm
AO	2019/12/11	NEW		X.XX	±0.25	CHECK	2019/12/11	UNIT	mm	3915-P04-1ZXXWDXR1	LSC Connector Single Row 90°SMT Plug (4 PIN)	WCON-Dongguan	WCON-Kunshan
				X.XXX	±0.15	APPROVE		SIZE	A4			Tel: +86 769 85358920	Tel: +86 512 57468408
				Angle	± 3'			SHEET	1/1		Customer NO.	Fax: +86 769 85358915	Fax: +86 512 57468468
				DIM	TOL			PROJ.				E-mail: sales@wcon.com	E-mail: sales@wcon.com