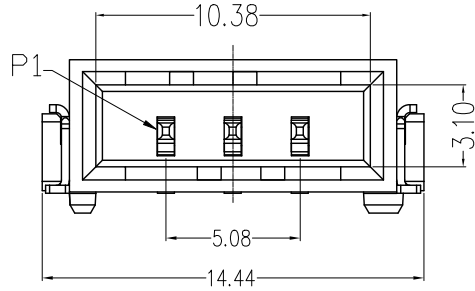
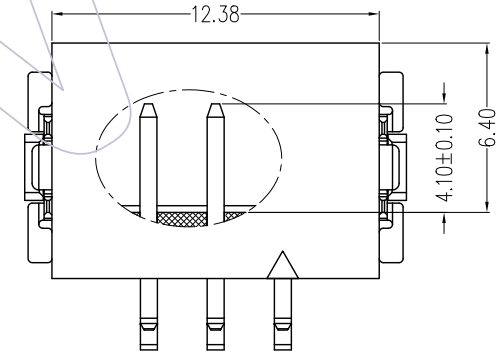
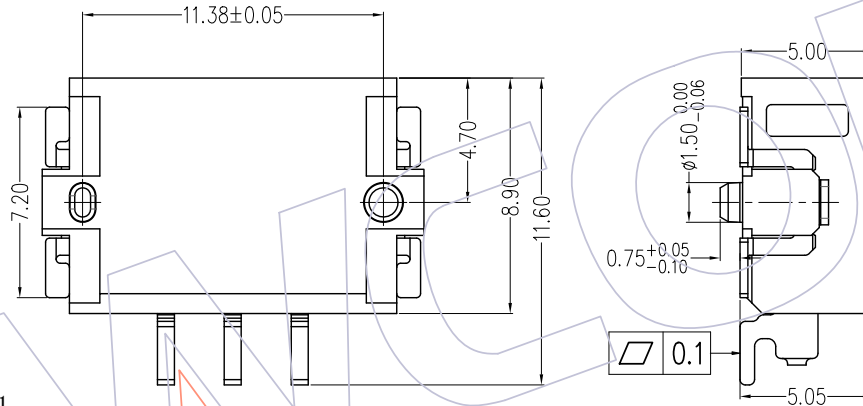
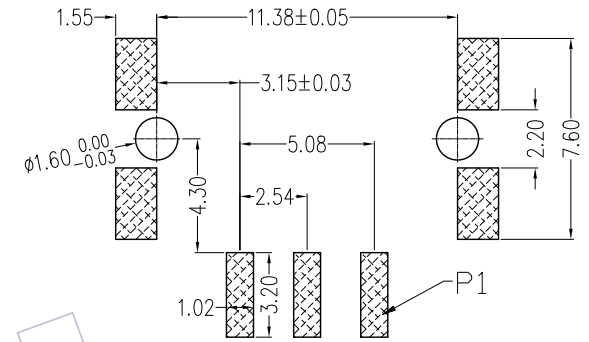


NOTES:

- 1.No.of Positions: 3 Pin
- 2.Rated Current: 12.0 A Max;
- 3.Contact Resistance: 20mΩ Max;
- 4.Withstand Voltage: 2000V AC;
- 5.Insulation Resistance: 1000MΩ Min ;
- 6.Operation Temperature: -55℃ to +150℃ ;
- 7.Housing Material: LCP
- 8.Contact Material: Copper Alloy ;
- 9.Contact Plating: Au over Ni ;



Recommended P.C.B Layout(Top Side)
(PCB BOARD TOLERANCE±0.05)

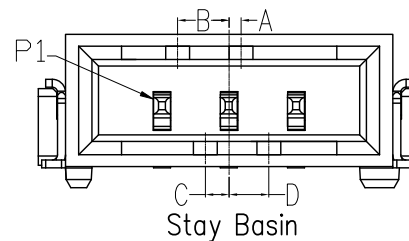


Ordering Information

3915-P 03-1 Z XX W D X R 1

Contact Plated:
W3=Sel. 10u" Au/Matte Sn
W4=Sel. 15u" Au/Matte Sn
W5=Sel. 30u" Au/Matte Sn

Color:
B=BLACK
U=BLUE
G=GREEN
R=RED



PART NO.	COLOR	防呆尺寸			
		A	B	C	D
3915-P03-1ZXXWDBR1	BLACK	0.45	1.95	0.9	1.5
3915-P03-1ZXXWDUR1	BLUE	1.35	1.05	1.8	0.6
3915-P03-1ZXXWDGR1	GREEN	2.25	0.15	2.7	0.3
3915-P03-1ZXXWDRR1	RED	3.15	0.75	3.6	1.2

REV	DATE	MODIFICATION DESCRIPTION	CHANGE	OPERATION		DRAW	DATE	SCALE	FIT	PART NO.	TITLE:	WCON	
				x.x	±0.40							Ding	2019/04/23
AO	2019/04/23	NEW		x.xx	±0.25	CHECK	DATE	UNIT	A4	3915-P03-1ZXXWDXR1	LSC Connector - Single Row 90° SMT Plug (3 PIN)	WCON-Dongguan	WCON-Kunshan
				x.xxx	±0.15	APPROVE	DATE	SIZE	1/1		Customer NO.	Tel: +86 769 85358920	Tel: +86 512 57468408
				Angle	± 3'			SHEET				Fax: +86 769 85358915	Fax: +86 512 57468468
				DIM	TOL			PROJ.				E-mail: sales@wcon.com	E-mail: salesks@wcon.com