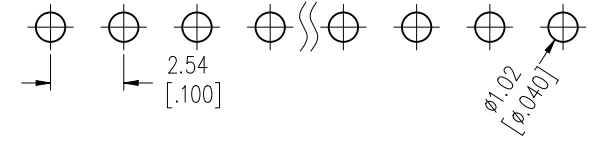
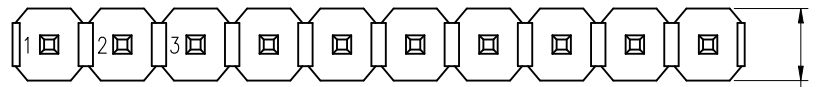


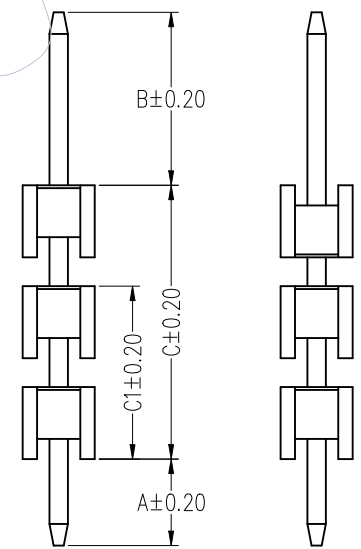
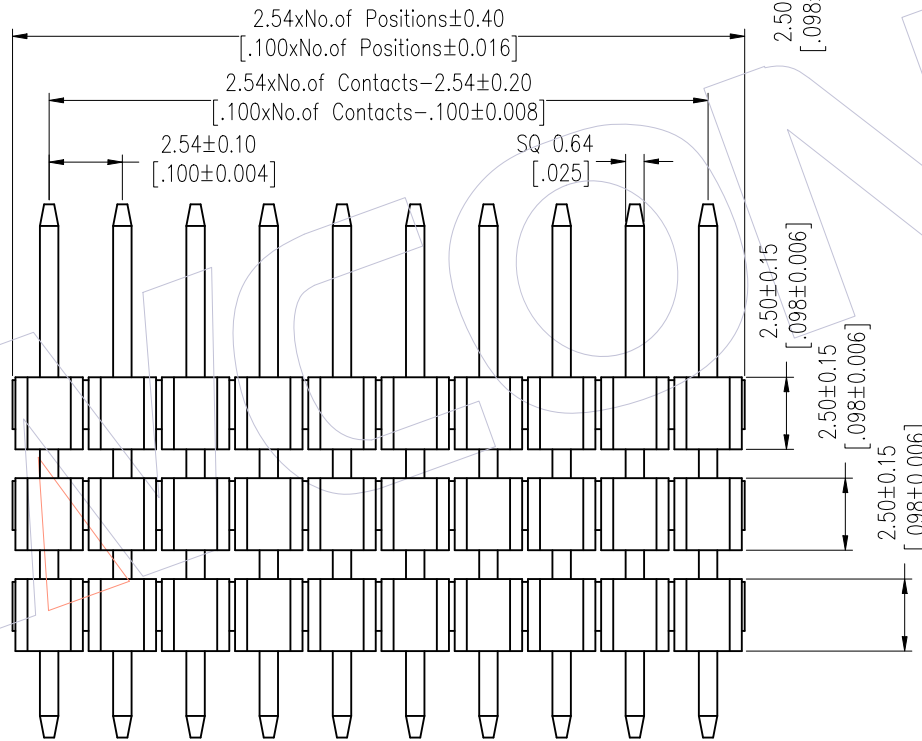
# HSF

Recommended P.C.B Layout (Top Side)  
(PCB BOARD TOLERANCE±0.05)

NOTES:  
 Rated Current: 3.0AMP.  
 Contact Resistance: 20mΩ Max.  
 Withstand Voltage: 1000V AC/DC  
 Insulation Resistance: 1000MΩ Min.  
 Operation Temperature: -40°C to +105°C



Contact Material: Brass  
 Contact Plating: Au or Sn Over Ni  
 Insulator Material: PA9T+33%G.F UL94V-0 BK



## Ordering Information

1125-31 XX XX S XXX C 0 XX

No. of Pins: 02-40  
 Contact Plating: G0=Gold Flash, G3=10u"Gold, G4=15u"Gold, G5=30u"Gold, S0=Gold Flash/Tin, S3=10u"Gold/Tin, S4=15u"Gold/Tin, S5=30u"Gold/Tin, SN=Tin, SM=Matte Tin  
 Pin Length: L=A+B+C  
 Insulator Material: C=PA9T  
 Packing: 0=PE Bag, T=Tube  
 Series No.: 01-99

Item	Pin Length	A	B	C	C1	Mating
Standard	---	3.00	6.00	---	---	2171 2185
Alternate						

REV	DATE	MODIFICATION DESCRIPTION	CHANGE	OPERATION	DRAW	DATE	SCALE	Fit	PART NO.
A2	2018/06/02	Cancel PBT & Modify P/N	A2	x.x ±0.40	XSR	2018/06/02	UNIT mm		1125-31XXXXXXXCOXX A1 A2
A1	2018/01/22	Modify P/N	A1	x.xx ±0.25	CHECK	DATE	SIZE A4		TITLE: PH2.54 SINGLE ROW THREE PLASTIC 180° H=2.5
A0	2012/05/17	NEW	-----	x.xxx ±0.15		DATE	SHEET 1/1		Customer NO.
				Angle ± 3°	APPROVE	DATE	PROJ.		
				DIM TOL					

TYPE 1 TYPE 2

# WCON

Http: www.wcon.com  
 WCON-Dongguan Tel: +86 769 85358920 Fax: +86 769 85358915 E-mail: sales@wcon.com  
 WCON-Kunshan Tel: +86 512 57468408 Fax: +86 512 57468468 E-mail: salesks@wcon.com