

# HSF

NOTES:  
 Rated Current:3.0AMP.  
 Contact Resistance:20mΩ Max.  
 Withstand Voltage:1000V AC/DC  
 Insulation Resistance:1000MΩ Min.  
 Operation Temperature:-40°C to +105°C

Contact Material:Brass  
 Contact Plating:Au or Sn Over Ni  
 Insulator Material:PA9T+33%G.F UL94V-0 BK

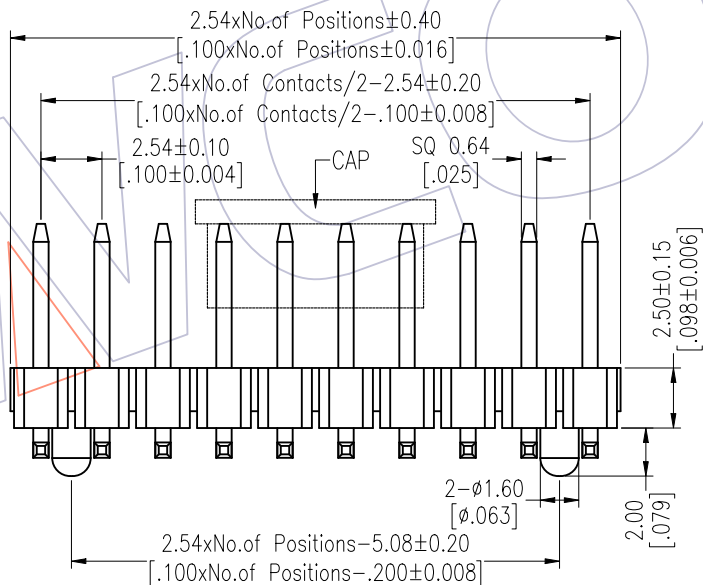
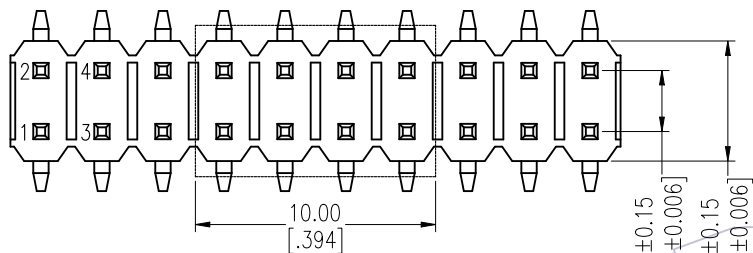
## Ordering Information

1125-12 XX XX M XXX C R XX  $\triangle A2$

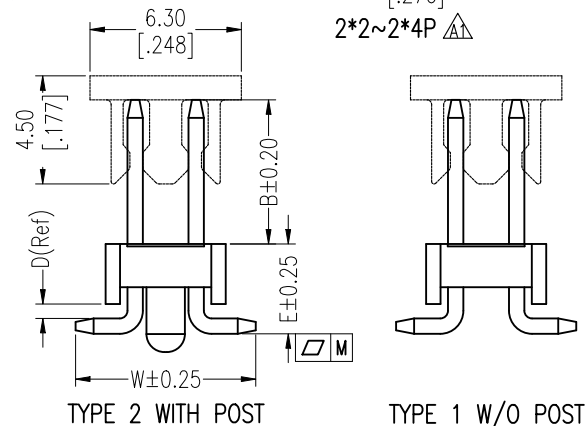
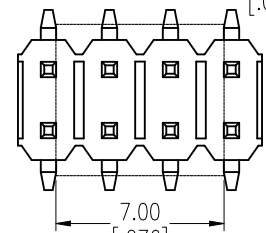
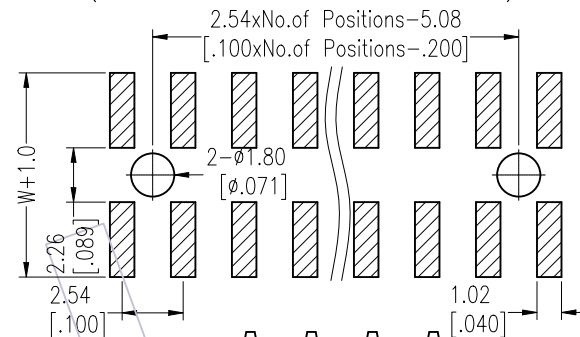
No. of Pins Per Row:02~40	Contact Plating G0=Gold Flash G3=10u"Gold G4=15u"Gold G5=30u"Gold S0=Gold Flash/Tin S3=10u"Gold/Tin S4=15u"Gold/Tin S5=30u"Gold/Tin SN=Tin SM=Matte Tin	Pin Length L=B+D+2.5+ $\frac{W-2.54}{2}$ Standard:082=8.2 102=10.2 111=11.1 115=11.5 136=13.6	Insulator Material C=PA9T	Packing T=Tube P=Tube+CAP R=Tape & Reel+CAP	Series No. 01~99
------------------------------	---	---	------------------------------	--	---------------------

Item	Pin Length	W	E	B	Mating
Standard	8.20	7.50	3.34	3.00	2135
	10.20	7.50	3.34	5.00	2150
	11.10	7.50	3.34	5.90	2171 2185
	11.60	7.50	3.74	6.00	2171 2185
	13.60	7.50	3.74		
Alternate					

$\triangle A3$ PIN(PerRow)	2-15P	16-25P	26-40P
M	0.10	0.15	0.18



Recommended P.C.B Layout (Top Side)  
 (PCB BOARD TOLERANCE±0.05)



REV	DATE	MODIFICATION DESCRIPTION	CHANGE	DIM	TOL	APPROVE	DATE	SCALE	Fit	CUSTOMER NO.
A3	2023/02/03	Add Flatness $\triangle A3$	DuYing	OPERATION	DRAW	DATE	2023/02/03	UNIT	mm	PART NO. 1125-12XXXXMXXCRXX
A2	2018/01/22	Modify P/N $\triangle A2$	Ruipeng	x.X ±0.40	DuYing	DATE		SIZE	A4	TITLE: PH2.54 DUAL ROW SMT H=2.5
A1	2012/10/31	Modify Drawing	-----	x.XX ±0.25	CHECK	DATE		SHEET	1/1	
A0	2012/05/28	NEW	-----	x.XXX ±0.15	APPROVE	DATE		PROJ.		
				Angle ± 3'						

**WCON**  
 Http: www.wcon.com  
 WCON-Dongguan Tel: +86 769 85358920  
 WCON-Kunshan Tel: +86 512 57468408  
 Fax: +86 769 85358915  
 Fax: +86 512 57468468  
 E-mail: sales@wcon.com  
 E-mail: salesks@wcon.com