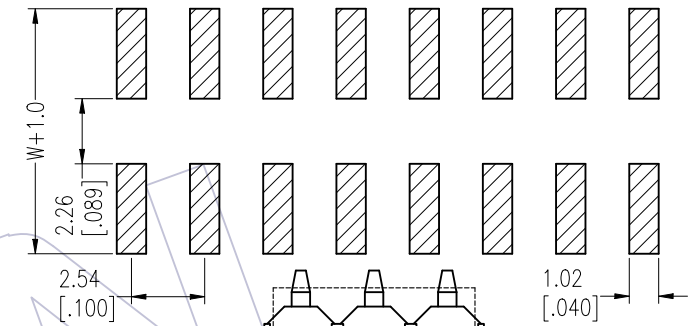
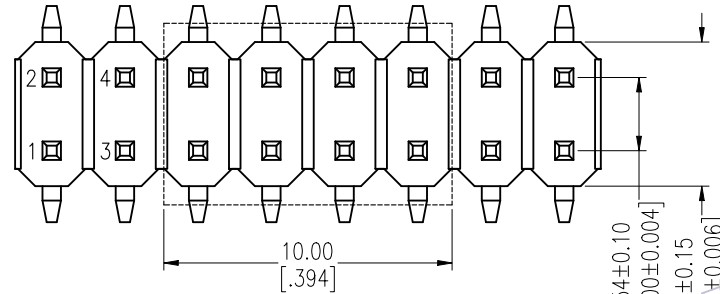


HSF

Recommended P.C.B Layout (Top Side)
(PCB BOARD TOLERANCE±0.05)

NOTES:
Rated Current:3.0AMP.
Contact Resistance:20mΩ Max.
Withstand Voltage:1000V AC/DC
Insulation Resistance:1000MΩ Min.
Operation Temperature:-40°C to +105°C

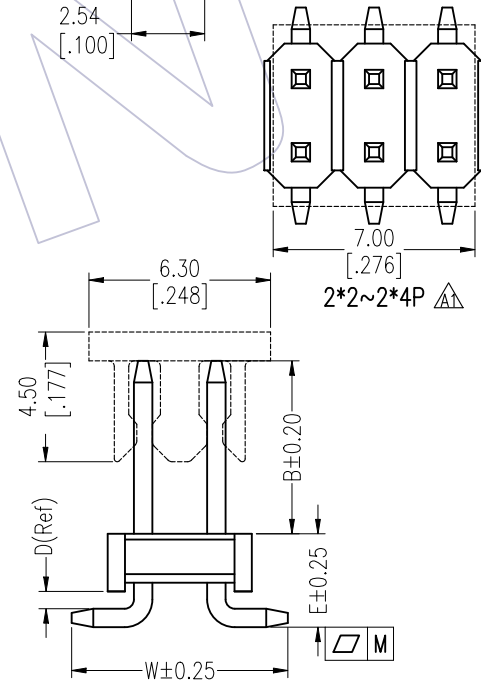
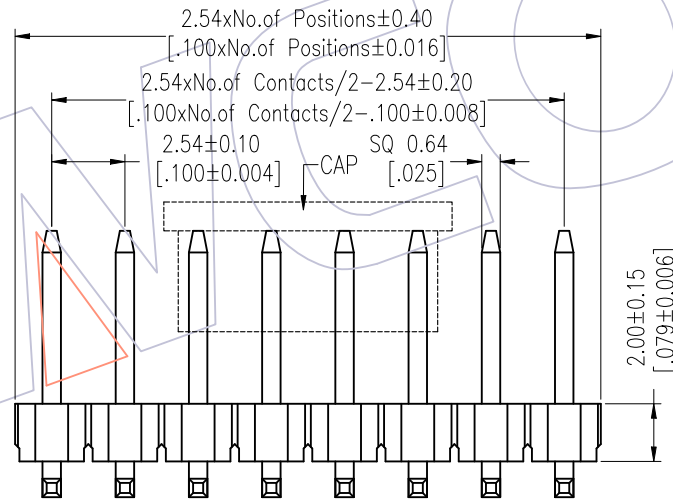
Contact Material:Brass
Contact Plating:Au or Sn Over Ni
Insulator Material:PA9T+33%G.F UL94V-0 BK



Ordering Information

1120-12 XX XX M XXX C R XX Δ_2

No. of Pins Per Row: 02-40	Contact Plating G0=Gold Flash G3=10u"Gold G4=15u"Gold G5=30u"Gold S0=Gold Flash/Tin S3=10u"Gold/Tin S4=15u"Gold/Tin S5=30u"Gold/Tin SN=Tin SM=Matte Tin	Pin Length L=B+D+2.0+ $\frac{W-2.54}{3}$ Standard:111=11.1	Insulator Material C=PA9T	Packing T=Tube P=Tube+CAP R=Tape & Reel+CAP	Series No. 01-99
-------------------------------	---	--	---------------------------------	---	---------------------



Item	Pin Length	W	E	B	Mating
Standard	11.10	7.50	3.24	6.00	2171 2185
Alternate					

PIN(PerRow)	2-15P	16-25P	26-40P
M	0.10	0.15	0.20

A3	2023/02/03	Add Flatness Δ_3	DuYing	OPERATION	DRAW	DATE	SCALE	Fit	PART NO.
A2	2018/01/22	Modify P/N Δ_2	Ruipeng	x.X ±0.40	DuYing	2023/02/03	UNIT	mm	1120-12XXXXMXXCRXX
A1	2012/10/31	Modify Drawing	-----	x.XX ±0.25	CHECK	DATE	SIZE	A4	TITLE:
A0	2012/05/07	NEW	-----	x.XXX ±0.15	APPROVE	DATE	SHEET	1/1	PH2.54 DUAL ROW SMT H=2.0
REV	DATE	MODIFICATION DESCRIPTION	CHANGE	Angle ± 3'	APPROVE	DATE	PROJ.	Customer NO.	

WCON

Http: www.wcon.com

WCON-Dongguan	WCON-Kunshan
Tel: +86 769 85358920	Tel: +86 512 57468408
Fax: +86 769 85358915	Fax: +86 512 57468468
E-mail: sales@wcon.com	E-mail: salesks@wcon.com