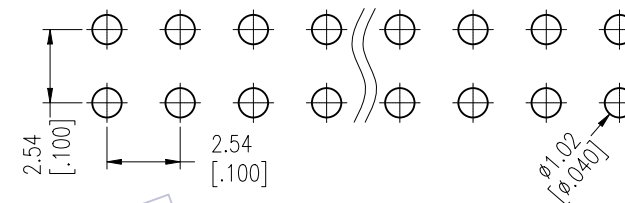
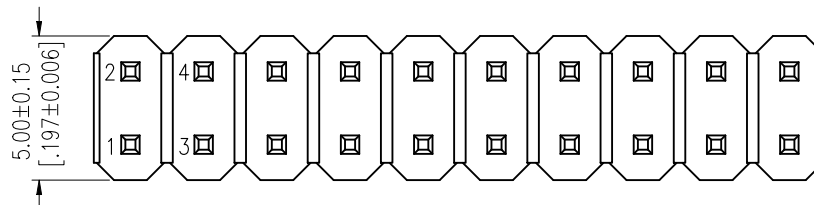


HSF

NOTES:
 Rated Current:3.0AMP.
 Contact Resistance:20mΩ Max.
 Withstand Voltage:1000V AC/DC
 Insulation Resistance:1000MΩ Min.
 Operation Temperature:-40℃ to +105℃

Contact Material:Brass
 Contact Plating:Au or Sn Over Ni
 Insulator Material:PA9T+33%G.F UL94V-0 BK

Recommended P.C.B Layout (Top Side)
 (PCB BOARD TOLERANCE±0.05)

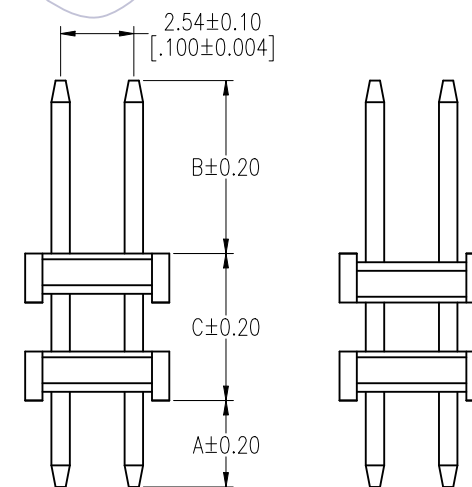
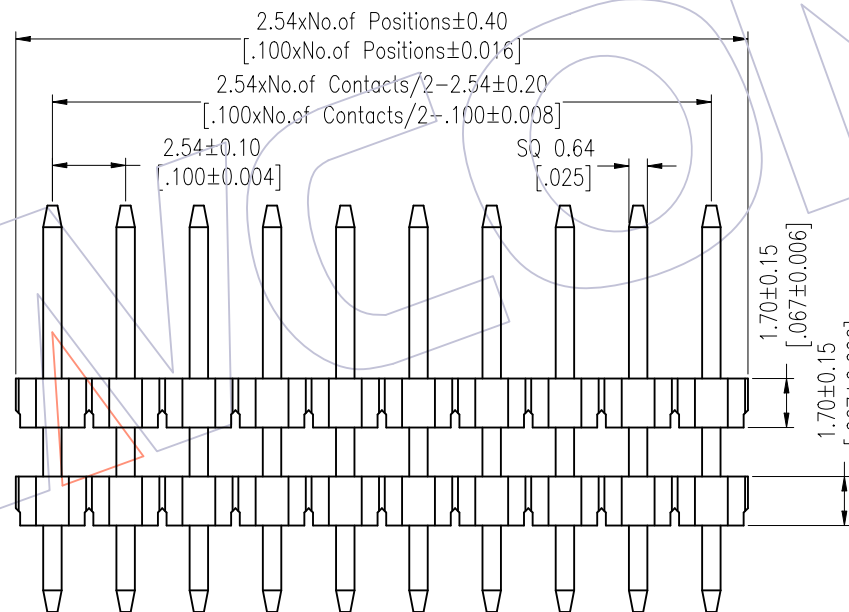


Ordering Information

1117-22 XX XX S XXX C 0 XX



No. of Pins Per Row:02-40	Contact Plating G0=Gold Flash G3=10u"Gold G4=15u"Gold G5=30u"Gold S0=Gold Flash/Tin S3=10u"Gold/Tin S4=15u"Gold/Tin S5=30u"Gold/Tin SN=Tin SM=Matte Tin	Pin Length L=A+B+C Standard:	Insulator Material C=PA9T	Packing 0=PE Bag T=Tube	Series No. 01-99
------------------------------	---	------------------------------------	---------------------------------	-------------------------------	---------------------



TYPE 1

TYPE 2

Item	Pin Length	A	B	C	Mating
Standard	---	3.00	6.00	---	2171 2185
Alternate					

REV	DATE	MODIFICATION DESCRIPTION	CHANGE	OPERATION	DRAW	DATE	SCALE	Fit	PART NO.
A1	2018/01/22	Modify P/N		x.xx ±0.40	Ruipeng	2018/01/22	UNIT mm		1117-22XXXXSXXXC0XX
A0	2012/05/04	NEW	-----	x.xx ±0.25	CHECK	DATE	SIZE A4		TITLE: PH2. 54 DUAL ROW DOUBLE PLASTIC 180° H=1.7
				x.xxx ±0.15	APPROVE	DATE	SHEET 1/1		Customer NO.
				Angle ± 3'			PROJ.		
				DIM TOL					

WCON

Http: www.wcon.com

WCON-Dongguan Tel: +86 769 85358920 Fax: +86 769 85358915 E-mail: sales@wcon.com	WCON-Kunshan Tel: +86 512 57468408 Fax: +86 512 57468468 E-mail: salesks@wcon.com
---	--