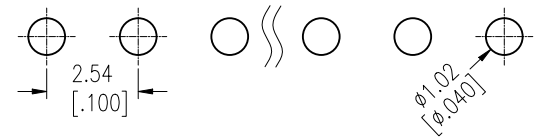
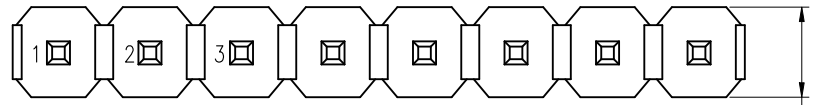


HSF

Recommended P.C.B Layout (Top Side)
(PCB BOARD TOLERANCE±0.05)

NOTES:
Rated Current:3.0AMP.
Contact Resistance:20mΩ Max.
Withstand Voltage:1000V AC/DC
Insulation Resistance:1000MΩ Min.
Operation Temperature:-40℃ to +105℃

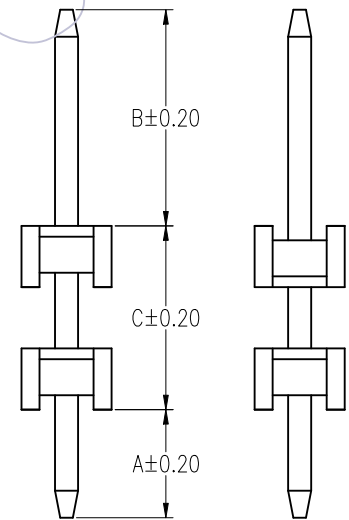
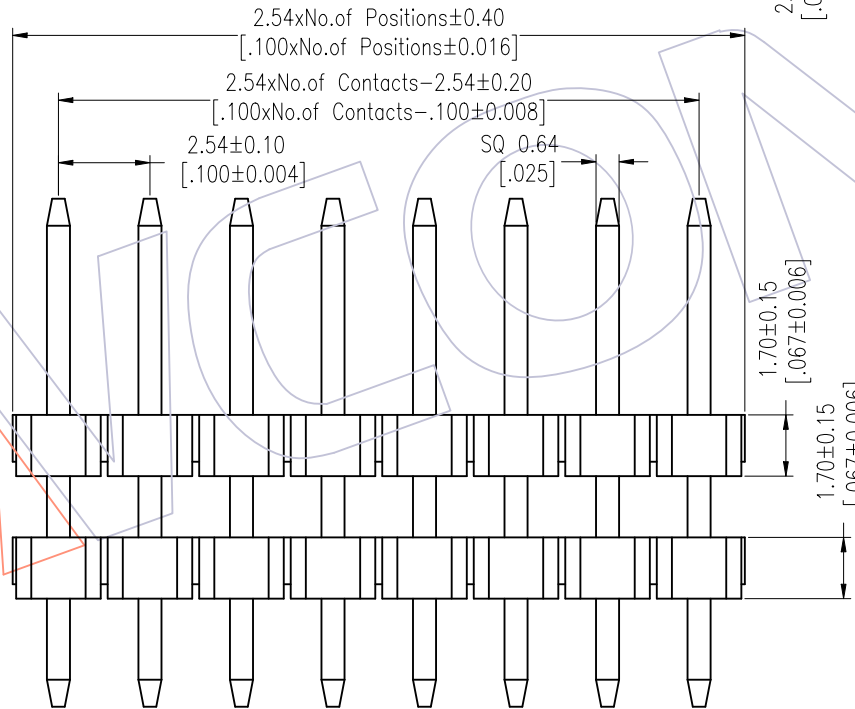
Contact Material:Brass
Contact Plating:Au or Sn Over Ni
Insulator Material:PA9T+33%G.F UL94V-0 BK



Ordering Information

1117-21 XX XX S XXX C 0 XX Δ 1

No. of Pins: 02~40
Contact Plating: G0=Gold Flash, G3=10u"Gold, G4=15u"Gold, G5=30u"Gold, S0=Gold Flash/Tin, S3=10u"Gold/Tin, S4=15u"Gold/Tin, S5=30u"Gold/Tin, SN=Tin, SM=Matte Tin
Pin Length: L=A+B+C
Standard:
Insulator Material: C=PA9T
Packing: 0=PE Bag, T=Tube
Series No.: 01~99



TYPE 1 TYPE 2

| Item | Pin Length | A | B | C | Mating |
|-----------|------------|------|------|-----|-----------|
| Standard | --- | 3.00 | 6.00 | --- | 2171 2185 |
| Alternate | | | | | |

| OPERATION | DRAW | DATE | SCALE | Fit | PART NO. |
|-------------|---------|------------|-----------|-----|---|
| x.x ±0.40 | Ruipeng | 2018/01/22 | UNIT mm | | 1117-21XXXXXXC0XX |
| x.xx ±0.25 | CHECK | DATE | SIZE A4 | | TITLE: |
| x.xxx ±0.15 | | | SHEET 1/1 | | PH2.54 SINGLE ROW DOUBLE PLASTIC 180°H=1.7 |
| Angle ± 3° | APPROVE | DATE | PROJ. | | Customer NO. |
| DIM TOL | | | | | |

WCON
Http: www.wcon.com

WCON-Dongguan Tel: +86 769 85358920 Fax: +86 769 85358915 E-mail: sales@wcon.com

WCON-Kunshan Tel: +86 512 57468408 Fax: +86 512 57468468 E-mail: salesks@wcon.com

| REV | DATE | MODIFICATION DESCRIPTION | CHANGE |
|-----|------------|--------------------------|------------|
| A1 | 2018/01/22 | Modify P/N | Δ 1 |
| A0 | 2012/05/04 | NEW | ----- |