

HSF

NOTES:
 Rated Current: 2.0AMP.
 Contact Resistance: 20mΩ Max.
 Withstand Voltage: 500V AC/DC
 Insulation Resistance: 1000MΩ Min.
 Operation Temperature: -40°C to +125°C(GOLD) $\Delta 2$
 -40°C to +105°C(TIN)

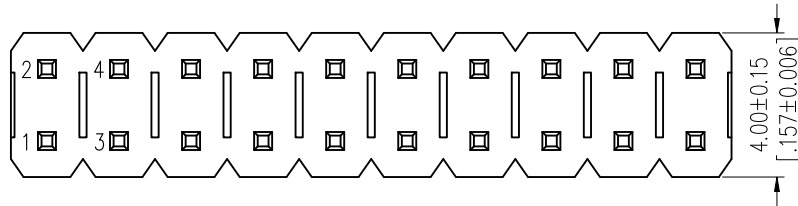
Contact Material: Brass
 Contact Plating: Au or Sn Over Ni
 Insulator Material: PA9T+33%G.F UL94V-0 BK

Ordering Information

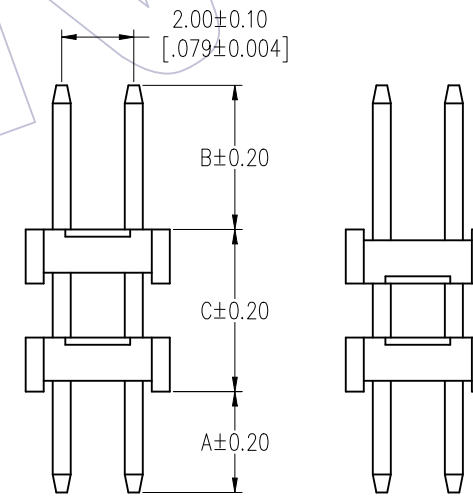
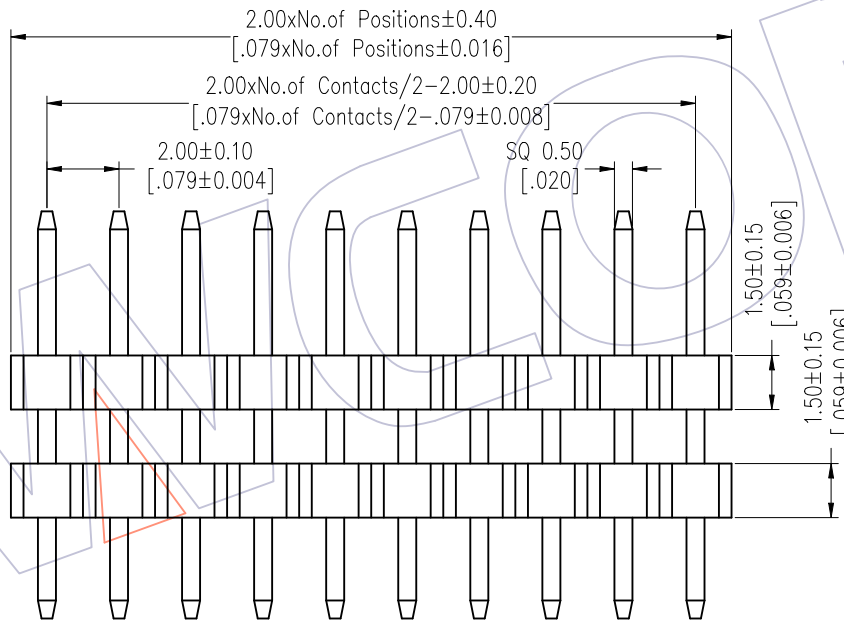
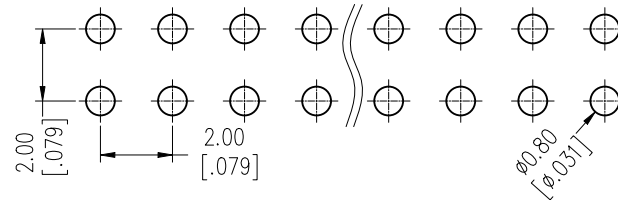
1215-22 XX XX S XXX C 0 XX $\Delta 1$

$\Delta 3$

No. of Pins Per Row: 02-40	Contact Plating G0=Gold Flash G3=10u"Gold G4=15u"Gold G5=30u"Gold S0=Gold Flash/Tin S3=10u"Gold/Tin S4=15u"Gold/Tin S5=30u"Gold/Tin SN=Tin SM=Matte Tin	Pin Length L=A+B+C Standard:	Insulator Material C=PA9T	Packing 0=PE Bag T=Tube	Series No. 01~99
-------------------------------	---	------------------------------------	------------------------------	-------------------------------	---------------------



Recommended P.C.B Layout (Top Side)
 (PCB BOARD TOLERANCE ±0.05)



TYPE 1

TYPE 2

Item	Pin Length	A	B	C	Mating
Standard	---	2.80	2.00	---	2220T 2221 2227T 2228
	---	2.80	3.00	---	2235
	---	2.80	4.00	---	2240 2243 2263 2272
	11.60	2.40	3.50	5.70	

A3	2020/06/12	Modify Pin 02~40P	$\Delta 3$	Duffing	OPERATION	DRAW	DATE	SCALE	Fit	PART NO.
A2	2019/03/04	Modify	$\Delta 2$	Ding	x.X ±0.40	Duffing	2020/06/12	UNIT	mm	1215-22XXXXXXC0XX $\Delta 1$
A1	2018/01/18	Modify P/N	$\Delta 1$	-----	x.XX ±0.25	CHECK	DATE	SIZE	A4	TITLE:
A0	2012/04/18	NEW	-----	-----	x.XXX ±0.15	APPROVE	DATE	SHEET	1/1	PH2.00 DUAL ROW DOUBLE PLASTIC 180° H=1.5
REV	DATE	MODIFICATION DESCRIPTION	CHANGE	-----	Angle ± 3°	APPROVE	DATE	PROJ.	Customer NO.	
					DIM TOL					

WCON

Http: www.wcon.com

WCON-Dongguan Tel: +86 769 85358920 Fax: +86 769 85358915 E-mail: sales@wcon.com	WCON-Kunshan Tel: +86 512 57468408 Fax: +86 512 57468468 E-mail: salesks@wcon.com
---	--