

HSF

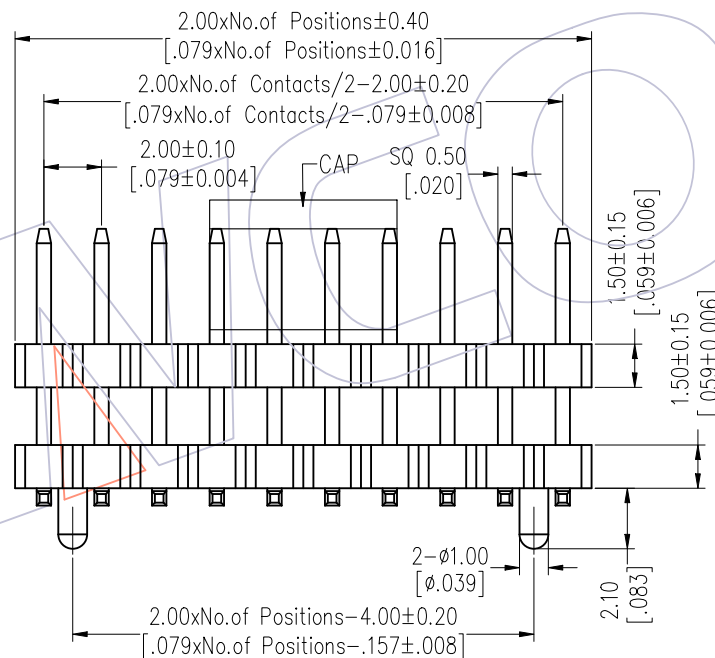
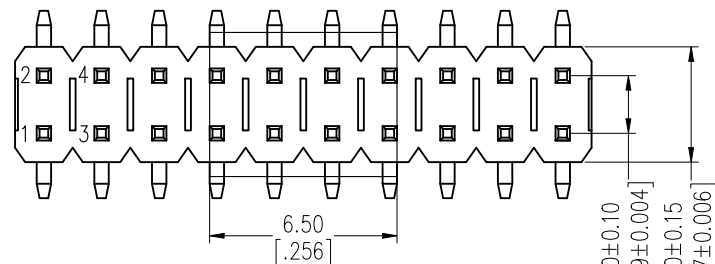
NOTES:
 Rated Current: 2.0AMP.
 Contact Resistance: 20mΩ Max.
 Withstand Voltage: 500V AC/DC
 Insulation Resistance: 1000MΩ Min.
 Operation Temperature: -40°C to +125°C(GOLD)
 -40°C to +105°C(TIN) Δ

Contact Material: Brass
 Contact Plating: Au or Sn Over Ni
 Insulator Material: PA9T+33%G.F UL94V-0 BK

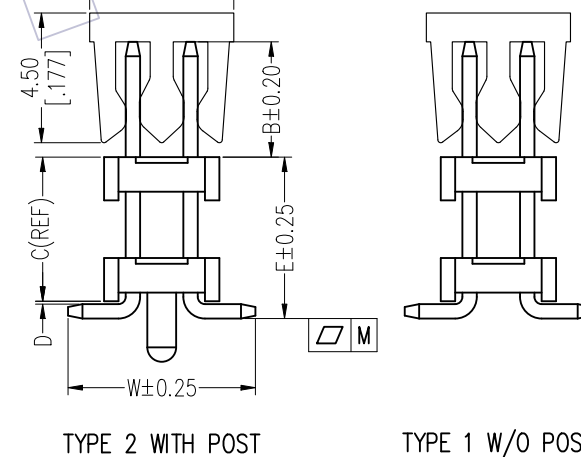
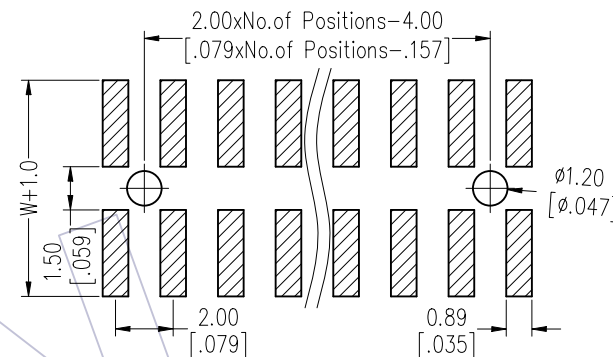
Ordering Information

1215-22 XX XX M XXX C R XX Δ

No. of Pins Per Row: 02-40	Contact Plating G0=Gold Flash G3=10u"Gold G4=15u"Gold G5=30u"Gold S0=Gold Flash/Tin S3=10u"Gold/Tin S4=15u"Gold/Tin S5=30u"Gold/Tin SN=Tin SM=Matte Tin	Pin Length L=B+C+D+ $\frac{W^2}{2}$ Standard:	Insulator Material C=PA9T	Packing T=Tube 01-99 P=Tube+CAP R=Tape&Reel+CAP	Series No.
-------------------------------	---	---	---------------------------------	--	------------



Recommended P.C.B Layout (Top Side)
 (PCB BOARD TOLERANCE±0.05)



Item	Pin Length	W	D	B	E	Mating
Standard	---	6.50	0.10	4.00	---	2240 2243 2263 2272
Alternate						

	PIN	2-15P	16-25P	26-40P
Δ	M	0.10	0.15	0.20

REV	DATE	MODIFICATION DESCRIPTION	CHANGE	OPERATION	DRAW	DATE	SCALE	Fit	PART NO.
A2	2018/09/07	Modify	Δ	x.X ±0.40	Draw	2018.09.07	UNIT	mm	1215-22XXXXMXXXCRXX Δ
A1	2018/01/18	Modify P/N	Δ	x.XX ±0.25	CHECK	DATE	SIZE	A4	TITLE: PH2.00 DUAL ROW DOUBLE PLASTIC SMT H=1.5
A0	2012/04/18	NEW	-----	x.XXX ±0.15	APPROVE	DATE	SHEET	1/1	Customer NO.
				Angle ± 3°			PROJ.		
				DIM TOL					

WCON
 Http: www.wcon.com
 WCON-Dongguan Tel: +86 769 85358920
 WCON-Kunshan Tel: +86 512 57468408
 Fax: +86 769 85358915 Fax: +86 512 57468468
 E-mail: sales@wcon.com E-mail: salesks@wcon.com