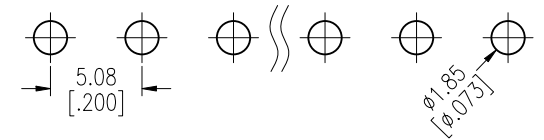
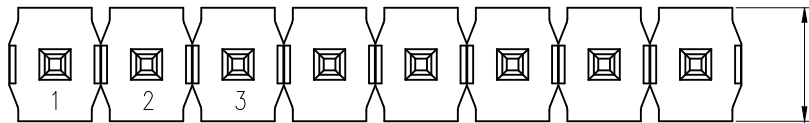


HSF

Recommended P.C.B Layout (Top Side)
(PCB BOARD TOLERANCE ±0.05)

NOTES:
 Rated Current: 7.0AMP.
 Contact Resistance: 20mΩ Max.
 Withstand Voltage: 1000V AC/DC
 Insulation Resistance: 1000MΩ Min.
 Operation Temperature: -40°C to +105°C

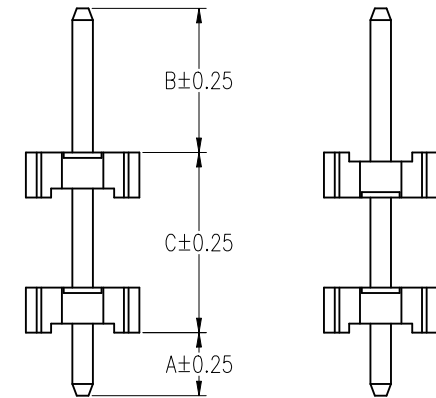
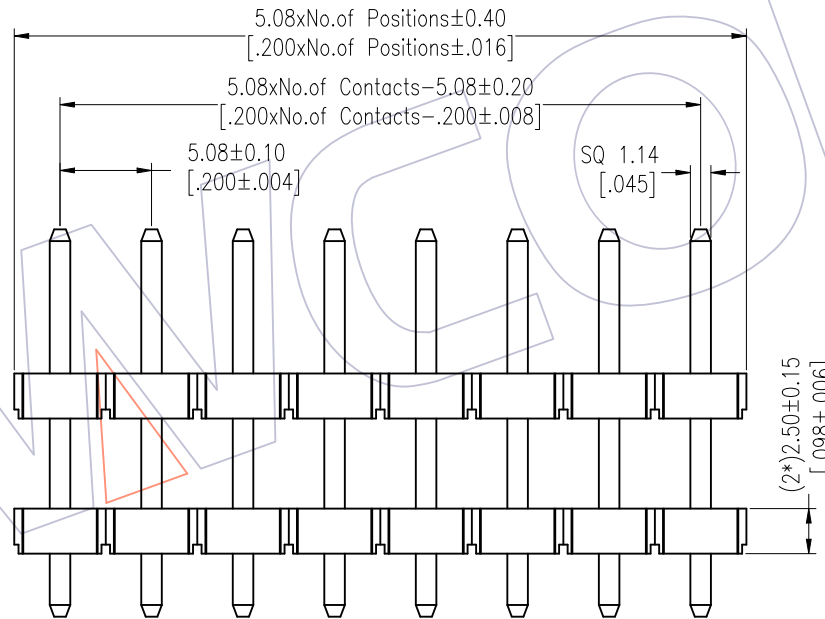
Contact Material: Brass
 Contact Plating: Au or Sn Over Ni
 Insulator Material: LCP+30%G.F UL94V-0 BK



Ordering Information

1925-21 XX XX S XXX D 0 XX

No. of Pins	Contact Plating	Pin Length	Insulator	Packing	Series No.
01~20	G0=Gold Flash SN=Tin SM=Matte Tin	L=A+B+C	D=LCP	0=PE Bag	01~99



TYPE-1

TYPE-2

Item	Pin Length	A	B	C	Mating
Standard	--	3.50	8.00	--	2989
Alternate					

REV	DATE	MODIFICATION DESCRIPTION	CHANGE	OPERATION	DRAW	DATE	SCALE	Fit	PART NO.
A1	2018/01/26	MODIFY PART NO.	-----	x.X ± 0.40	William Chen	2018/01/26	UNIT	mm [inch]	1925-21XXXXSXXXDXXX
A0	2012/07/03	NEW	-----	x.XX ± 0.25	CHECK	DATE	SIZE	A4	TITLE: 5.08 Pin Header, SINGLE ROW, S/T, DOUBLE PLASTIC, H=2.5
				x.XXX ± 0.15	APPROVE	DATE	SHEET	1/1	Customer NO.
				Angle ± 3'			PROJ.		
				DIM TOL					

WCON

Http: www.wcon.com

WCON-Dongguan Tel: +86 769 85358920 Fax: +86 769 85358915 E-mail: sales@wcon.com	WCON-Kunshan Tel: +86 512 57468408 Fax: +86 512 57468468 E-mail: salesks@wcon.com
---	--