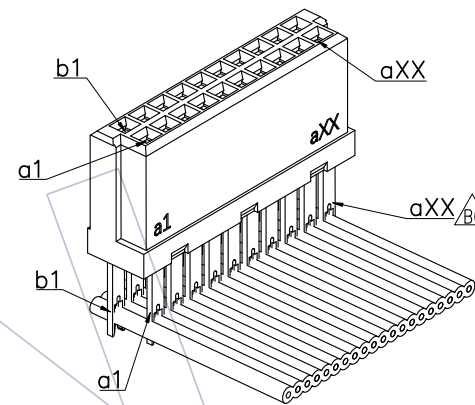
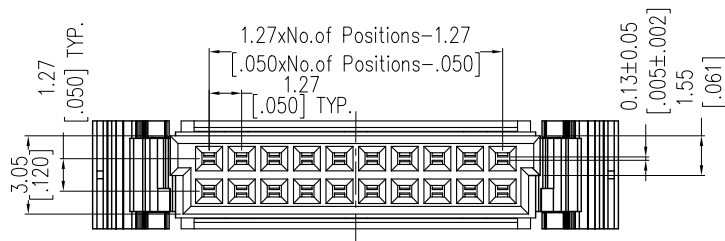


HSF

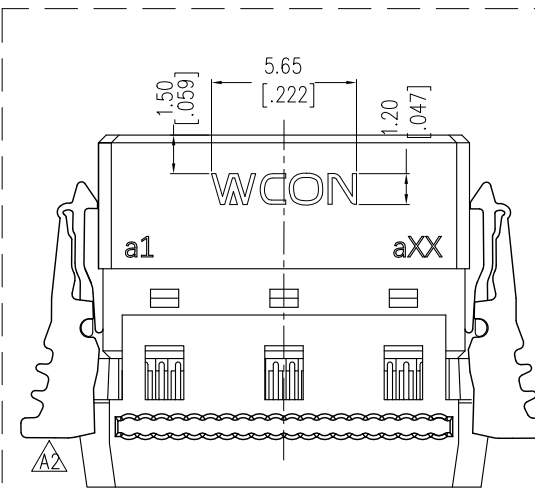
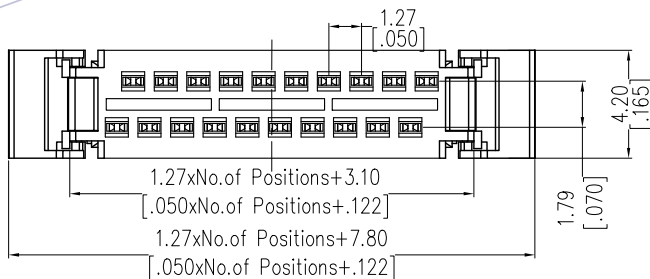
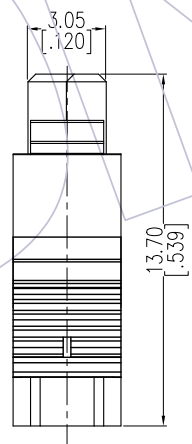
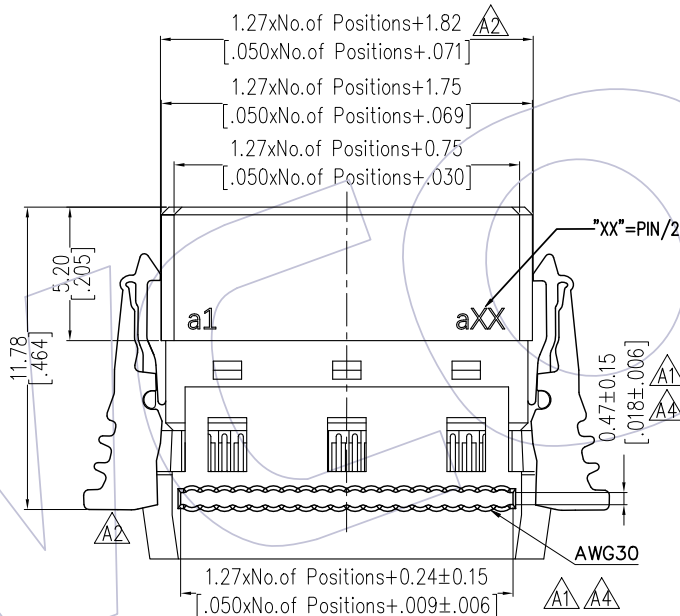
NOTES:

Rated Current: 0.8 AMP.
 Contact Resistance: 25mΩ Max.
 Withstand Voltage: 500V
 Insulation Resistance: 10000MΩ Min.
 Operation Temperature: -55℃ to +105℃

Contact Material: COPPER ALLOY
 Contact Plating: Sn and Au over Ni
 Main Body&Cover Material: HIGH TEMPERATURE
 THERMOPLASTIC(UL94V-0)



ASSEMBLE CABLE VIEW



LOGO左右居中(2号Logo)

Ordering Information

3911 - XXX U XX W X 1 W

No. of Pins
 010: 10 Pin
 020: 20 Pin
 100: 100 Pin

Plating
 S3=Sel.10U" Au/Tin
 S4=Sel.15U" Au/Tin
 S5=Sel.30U" Au/Tin

Package Blank=W/O WCON
 A: Tray W=W/T WCON

B0	2020/12/10	Correct Pin	XSR	OPERATION	DRAW	DATE	SCALE	1:1	PART NO.
A5	2020/11/12	Add W/T WCON LOGO SPEC&P/N	XSR	x.X ±0.40	XSR	2020/12/10	UNIT	mm [inch]	3911-XXXUXXW1(W)
A4	2020/04/05	Modify	Tang	x.XX ±0.25	CHECK	DATE	SIZE	A4	TITLE:
A0	2018/03/23	NEW		x.XXX ±0.15	APPROVE	DATE	SHEET	1/1	1.27mm SDC IDC TYPE CONNECTORS
REV	DATE	MODIFICATION DESCRIPTION	CHANGE	Angle ± 3°			PROJ.		Customer NO.
				DIM TOL					

WCON

Http: www.wcon.com

WCON-Dongguan
 Tel: +86 769 85358920
 Fax: +86 769 85358915
 E-mail: sales@wcon.com

WCON-Kunshan
 Tel: +86 512 57468408
 Fax: +86 512 57468468
 E-mail: sales@wcon.com