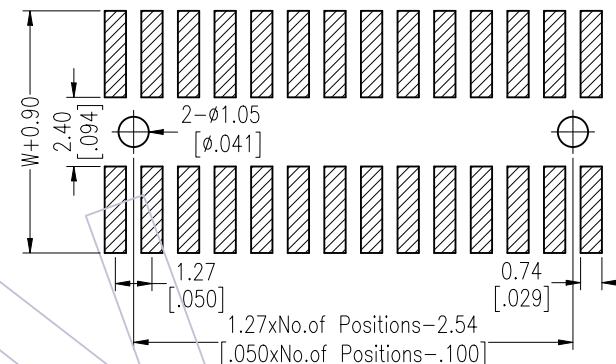
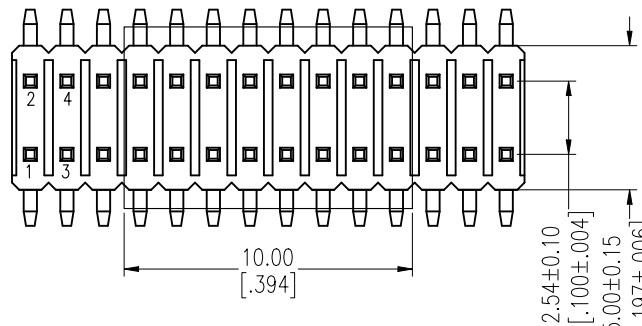


# HSF

NOTES:  
 Rated Current:1.0AMP.  
 Contact Resistance:20mΩ Max.  
 Withstand Voltage:500V AC/DC  
 Insulation Resistance:1000MΩ Min.  
 Operation Temperature:-40°C to +105°C

Contact Material:Brass  
 Contact Plating:Au or Sn Over Ni  
 Insulator Material:PA9T+33%G.F UL94V-0 BK

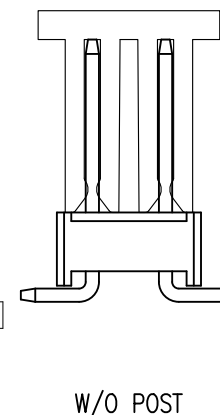
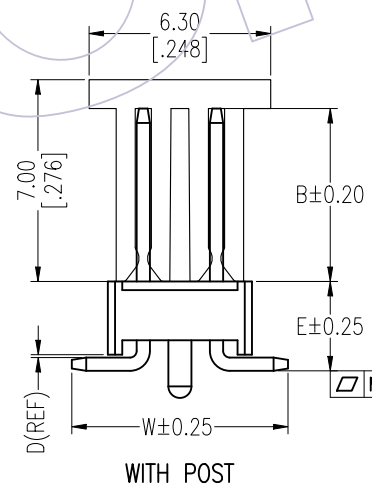
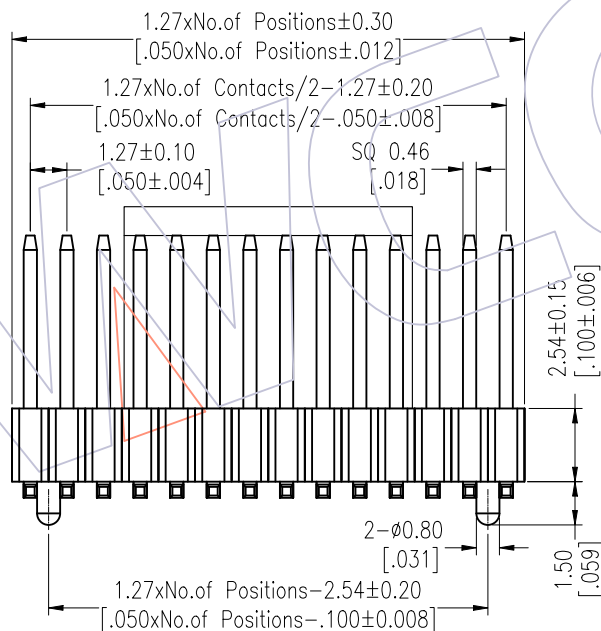
Recommended P.C.B Layout (Top Side)  
 (PCB BOARD TOLERANCE±0.05)



## Ordering Information

1425-12 XX XX M XXX C R XX

No. of Pins	Contact Plating	Pin Length	Insulator	Series No.
Per Row:02~50	G0=Gold Flash G3=10u"Gold G4=15u"Gold G5=30u"Gold S0=Gold Flash/Tin S3=10u"Gold/Tin S4=15u"Gold/Tin S5=30u"Gold/Tin SN=Tin SM=Matte Tin	L=B+D+2.5+ $\frac{W-2.54}{2}$ Standard:079=7.9 111=11.1	C=PA9T	01~99
				Packing
				T=Tube
				P=Tube+CAP
				R=Tape&Reel+CAP



Item	Pin Length	W	E	B	Mating
Standard	7.9	7.50	3.10	2.80	2446
	11.1	7.50	3.10	6.00	2485
Alternate					

PIN(PerRow)	2-15P	16-30P	31-50P
M	0.10	0.12	0.15

A3	2023/02/02	Add Flatness	△3	Du Ying	OPERATION	DRAW	DATE	SCALE	Fit	PART NO. 1425-12XXXXMXXXCXXX △3
A2	2018/01/12	MODIFY PART NO.	△2	William Chen	X.X ±0.40	Du Ying	2023/02/02	UNIT	mm [inch]	
A1	2012/09/20	Modify Drawing	△1	-----	X.XX ±0.25	CHECK	DATE	SIZE	A4	TITLE: 1.27*2.54 Pin Header, DUAL ROW, SMT, H=2.54
A0	2012/04/06	NEW	-----	-----	X.XXX ±0.15	APPROVE	DATE	SHEET	1/1	
REV	DATE	MODIFICATION DESCRIPTION	CHANGE	-----	Angle ± 3°	APPROVE	DATE	PROJ.	Customer NO.	

# WCON

Http: www.wcon.com

WCON-Dongguan  
 Tel: +86 769 85358920  
 Fax: +86 769 85358915  
 E-mail: sales@wcon.com

WCON-Kunshan  
 Tel: +86 512 57468408  
 Fax: +86 512 57468468  
 E-mail: salesks@wcon.com