

# HSF

NOTES:  
 Rated Current: 1.0AMP  
 Contact Resistance: 20mΩ Max.  
 Withstand Voltage: 500V AC/DC  
 Insulation Resistance: 1000MΩ Min.  
 Operation Temperature: -40°C to +105°C

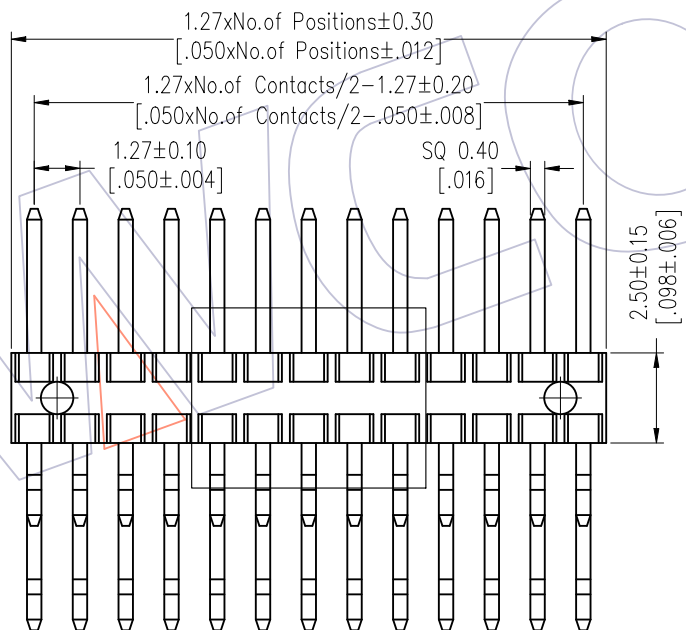
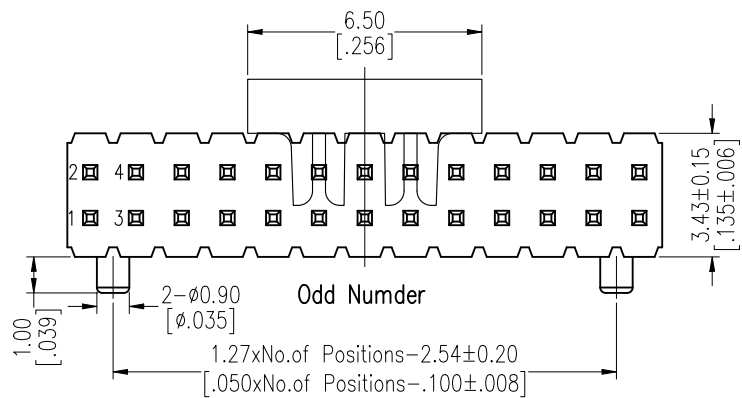
Contact Material: Brass  
 Contact Plating: Au or Sn Over Ni  
 Insulator Material: PA9T+33%G.F UL94V-0 BK

## Ordering Information

### 1325B-12 XX XX Z XXX C R XX

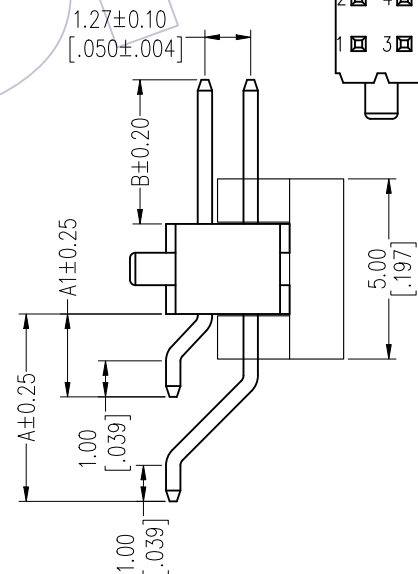
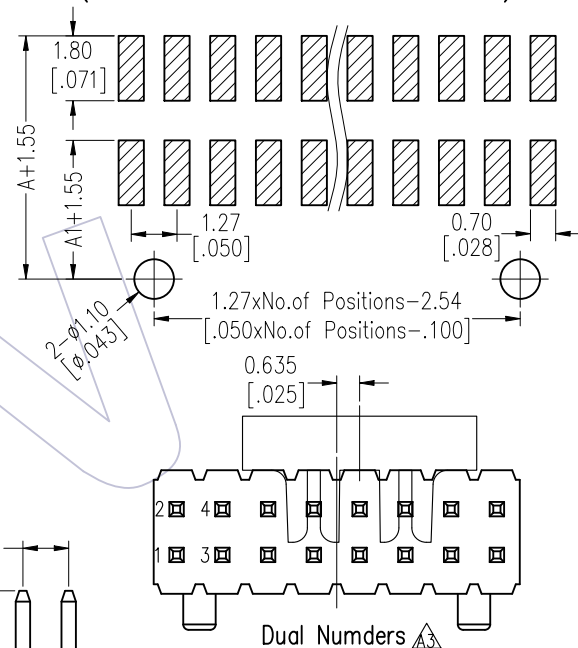
No. of Pins Per Row: 01~50	Contact Plating G0=Gold Flash G3=10u"Gold G4=15u"Gold G5=30u"Gold S0=Gold Flash/Tin S3=10u"Gold/Tin S4=15u"Gold/Tin S5=30u"Gold/Tin SN=Tin SM=Matte Tin	Pin Length(Short) L=A1+B+2.8 Standard: 070=7.0 081=8.1 091=9.1	Insulator C=PA9T	Series No. 01~99	Packing A=Tray T=Tube P=Tube+CAP R=Tape&Reel+CAP
-------------------------------	---	--	---------------------	---------------------	--

Item	Pin Length	A1	A	B	Mating
Standard	7.0	2.30	5.20	1.90	2321
	8.1	2.30	5.20	3.00	2334
	9.1	2.30	5.20	4.00	2344/2335
Alternate					



## Recommended P.C.B Layout (Top Side)

(PCB BOARD TOLERANCE ±0.05)



REV	DATE	MODIFICATION DESCRIPTION	CHANGE	ANGLE	TOL	APPROVE	DATE	SCALE	Fit	PART NO.
A4	2018/01/18	MODIFY PART NO.	-----	OPERATION	DRAW	DATE	SCALE	Fit	PART NO.	<b>1325B-12XXXXXXXCXXX</b>
A3	2013/06/07	Modify Drawing	-----	x.X ±0.40	William Chen	2018/01/18	UNIT	mm [inch]	TITLE:	
A2	2013/01/03	Modify Drawing	-----	x.XX ±0.25	CHECK	DATE	SIZE	A4	1.27 Pin Header, DUAL ROW, R/A&SMT, WITH POST, H=2.5	
A0	2012/03/31	NEW	-----	x.XXX ±0.15	APPROVE	DATE	SHEET	1/1	Customer NO.	
REV	DATE	MODIFICATION DESCRIPTION	CHANGE	Angle ± 3°	APPROVE	DATE	PROJ.			

# WCON

Http: [www.wcon.com](http://www.wcon.com)

WCON-Dongguan	WCON-Kunshan
Tel: +86 769 85358920	Tel: +86 512 57468408
Fax: +86 769 85358915	Fax: +86 512 57468468
E-mail: <a href="mailto:sales@wcon.com">sales@wcon.com</a>	E-mail: <a href="mailto:salesks@wcon.com">salesks@wcon.com</a>