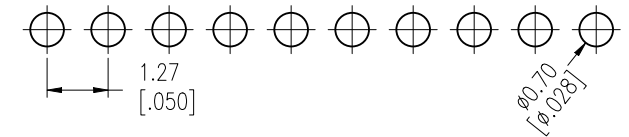
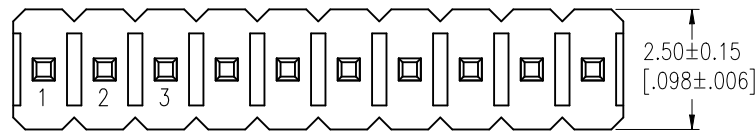


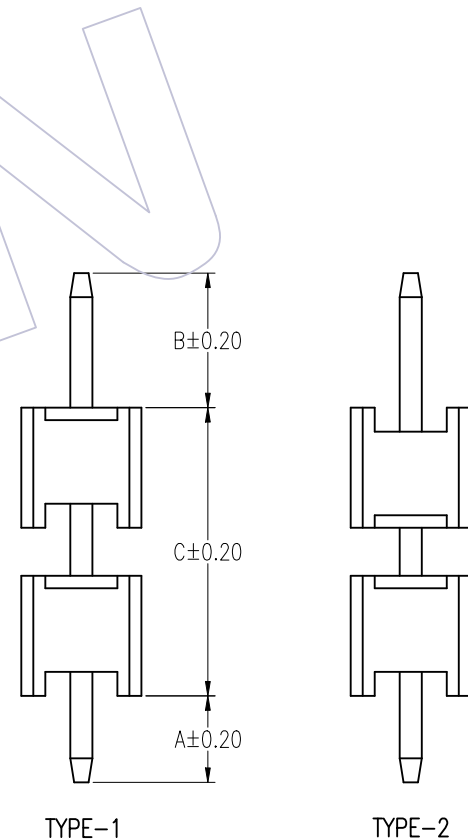
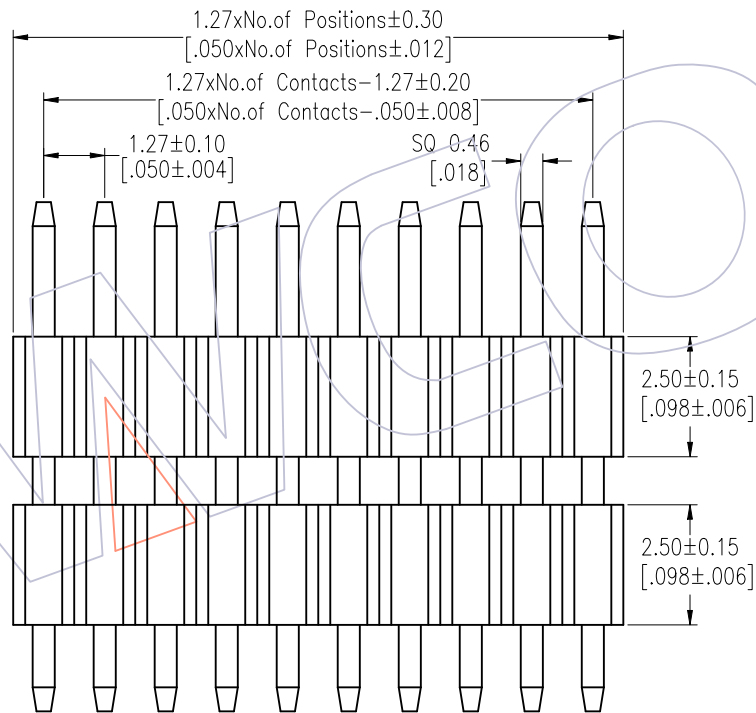
HSF

Recommended P.C.B Layout (Top Side)
(PCB BOARD TOLERANCE±0.05)

NOTES:
Rated Current:1.0AMP.
Contact Resistance:20mΩ Max.
Withstand Voltage:500V AC/DC
Insulation Resistance:1000MΩ Min.
Operation Temperature:-40℃ to +105℃



Contact Material:Brass
Contact Plating:Au or Sn Over Ni
Insulator Material:PA9T+33%G.F UL94V-0 BK



Ordering Information

1325-21 XX XX S XXX CA XX

No. of Pins	Contact Plating	Pin Length	Insulator	Packing	Series No.
01~50	G0=Gold Flash G3=10u"Gold G4=15u"Gold G5=30u"Gold S0=Gold Flash/Tin S3=10u"Gold/Tin S4=15u"Gold/Tin S5=30u"Gold/Tin SN=Tin SM=Matte Tin	L=A+B+C	C=PA9T	A=Tray	01~99

	Pin Length	A	B	C	Mating
Standard	--	1.80	2.80	--	2346
	--	1.80	6.00	--	2385
Alternate					

OPERATION	DRAW	DATE	SCALE	Fit	PART NO.
x.X ±0.40	William Chen	2018/01/18	UNIT	mm [inch]	1325-21XXXXSXXXCXXX
x.XX ±0.25	CHECK	DATE	SIZE	A4	TITLE:
x.XXX ±0.15	APPROVE	DATE	SHEET	1/1	1.27 Pin Header, SINGLE ROW, S/T, DOUBLE PLASTIC, H=2.5
Angle ± 3'			PROJ.		Customer NO.
DIM TOL					

WCON
Http: www.wcon.com

WCON-Dongguan WCON-Kunshan
Tel: +86 769 85358920 Tel: +86 512 57468408
Fax: +86 769 85358915 Fax: +86 512 57468468
E-mail: sales@wcon.com E-mail: salesks@wcon.com