

HSF

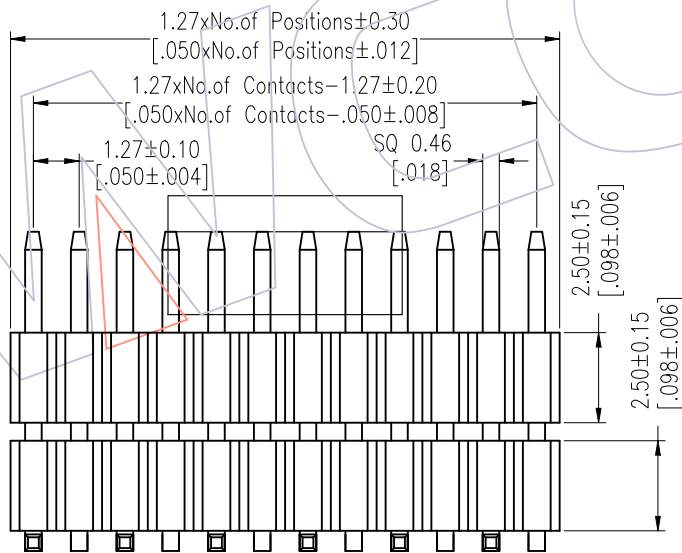
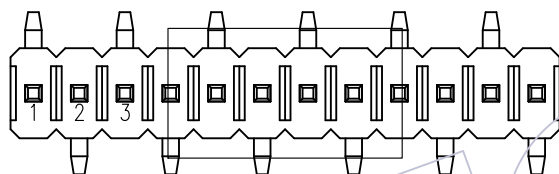
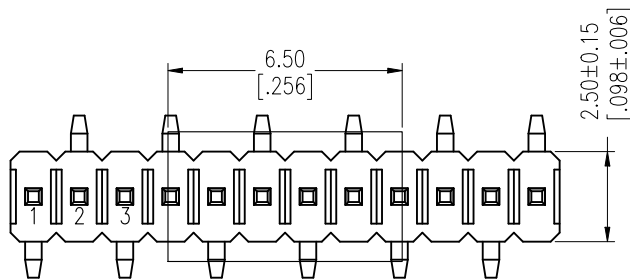
NOTES:
 Rated Current:1.0AMP.
 Contact Resistance:20mΩ Max.
 Withstand Voltage:500V AC/DC
 Insulation Resistance:1000MΩ Min.
 Operation Temperature:-40°C to +105°C

Contact Material:Brass
 Contact Plating:Au or Sn Over Ni
 Insulator Material:PA9T+33%G.F UL94V-0 BK

Ordering Information

1325-21 XX XX M XXX C R XX

No.of Pins	Contact Plating	Pin Length	Insulator	Packing	Series No.
02-50	G0=Gold Flash G3=10u"Gold G4=15u"Gold G5=30u"Gold S0=Gold Flash/Tin S3=10u"Gold/Tin S4=15u"Gold/Tin S5=30u"Gold/Tin SN=Tin SM=Matte Tin	L=B+C+D+W/2	C=PA9T	A=Tray T=Tube P=Tube+CAP R=Tape&Reel+CAP	01-99

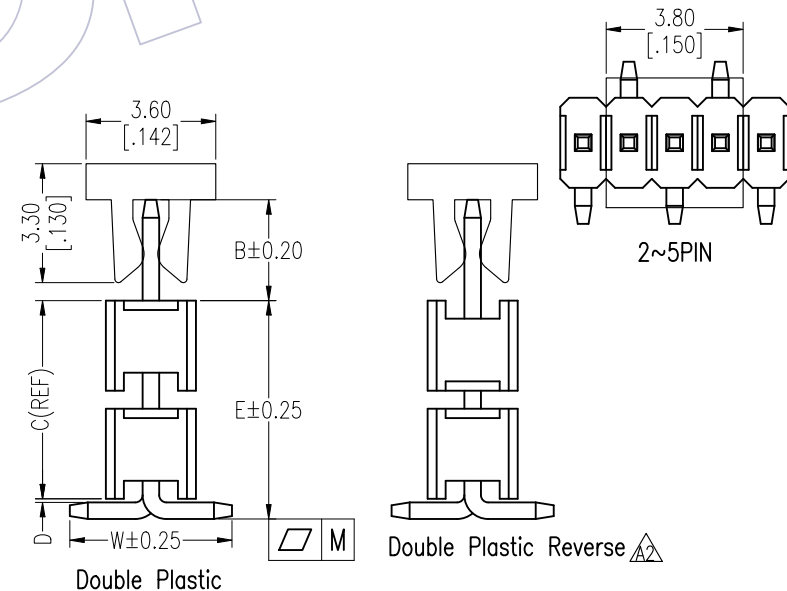
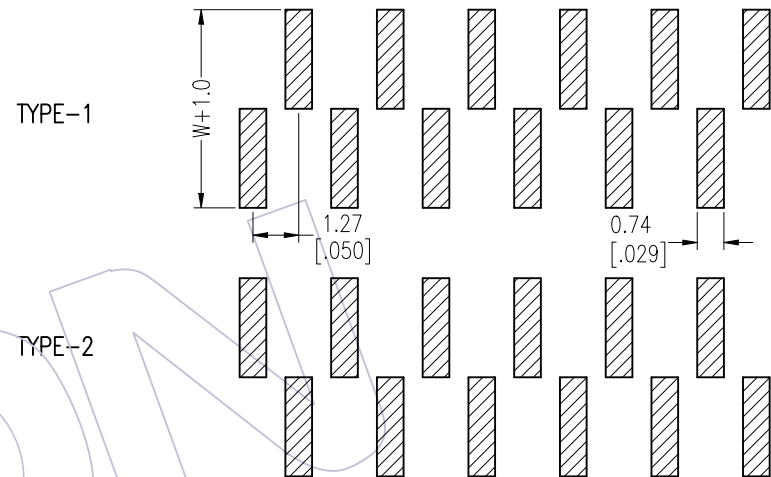


Item	Pin Length	W	D	B	E	Mating
Standard	--	4.50	0.10	2.80	--	2346
Alternate	--	4.50	0.10	6.00	--	2385

PIN(PerRow)	2-15P	16-30P	31-50P
M	0.10	0.12	0.15

Recommended P.C.B Layout (Top Side)

(PCB BOARD TOLERANCE±0.05)



A3	2023/02/02	Add Flatness	△3	Du Ying	OPERATION	DRAW	DATE	SCALE	Fit	PART NO. 1325-21XXXXMXXXCXXX △3
A2	2021/08/30	Add Specifications	△2	Du Ying	X.X ±0.40	Du Ying	2023/02/02	UNIT	mm [inch]	
A1	2018/01/18	MODIFY PART NO.		William Chen	X.XX ±0.25	CHECK	DATE	SIZE	A4	TITLE: 1.27 Pin Header, SINGLE ROW, SMT, DOUBLE PLASTIC, H=2.5
A0	2012/03/31	NEW		-----	X.XXX ±0.15	APPROVE	DATE	SHEET	1/1	Customer NO.
REV	DATE	MODIFICATION DESCRIPTION	CHANGE		Angle ± 3°			PROJ.		

WCON
 Http: www.wcon.com
 WCON-Dongguan Tel: +86 769 85358920
 WCON-Kunshan Tel: +86 512 57468408
 Fax: +86 769 85358915
 Fax: +86 512 57468468
 E-mail: sales@wcon.com
 E-mail: salesks@wcon.com