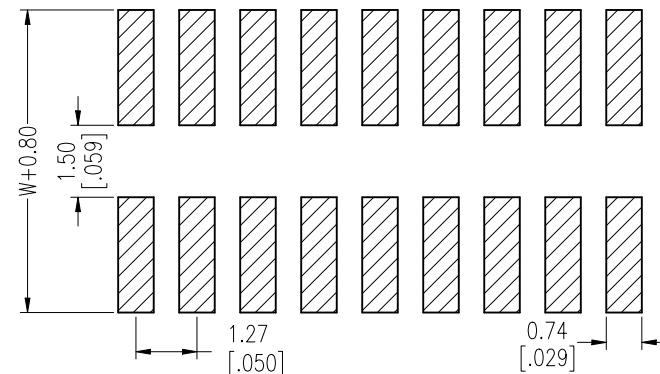
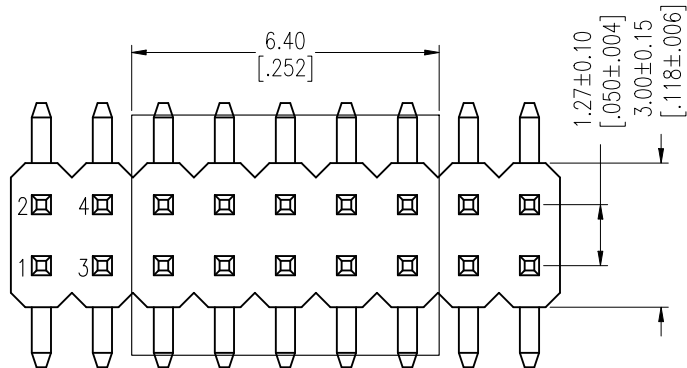


# HSF

NOTES:  
 Rated Current:1.0AMP.  
 Contact Resistance:20mΩ Max.  
 Withstand Voltage:500V AC/DC  
 Insulation Resistance:1000MΩ Min.  
 Operation Temperature:-40℃ to +105℃

Contact Material:Brass  
 Contact Plating:Au or Sn Over Ni  
 Insulator Material:PA9T+33%G.F UL94V-0 BK

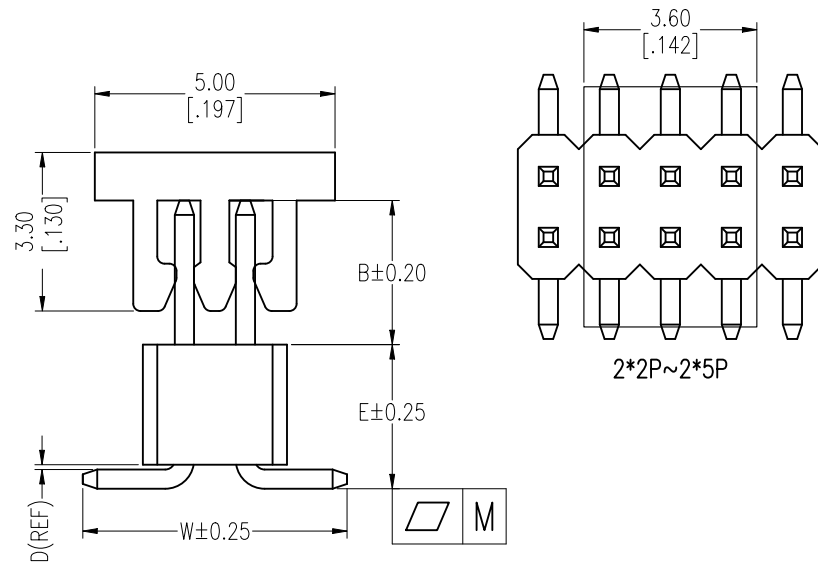
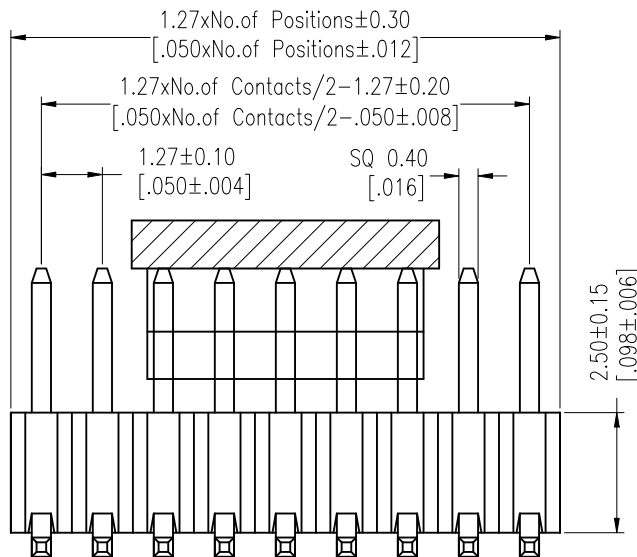
Recommended P.C.B Layout (Top Side)  
 (PCB BOARD TOLERANCE±0.05)



## Ordering Information

1325-12 XX XX M XXX C R XX

No. of Pins	Contact Plating	Pin Length	Insulator	Series No.
Per Row:02~50	G0=Gold Flash G3=10u"Gold G4=15u"Gold G5=30u"Gold	L=B+D+2.5+ $\frac{W+1.27}{2}$ Standard:066=6.6 077=7.7 087=8.7	C=PA9T	01~99
	S0=Gold Flash/Tin S3=10u"Gold/Tin S4=15u"Gold/Tin S5=30u"Gold/Tin SN=Tin SM=Matte Tin		Packing A=Tray T=Tube P=Tube+CAP R=Tape&Reel+CAP	



Item	Pin Length	W	E	B	Mating
Standard	6.6	5.50	3.00	1.90	2321
	7.7	5.50	3.00	3.00	2334
	8.7	5.50	3.00	4.00	2344
Alternate					

PIN(PerRow)	2-15P	16-30P	31-50P
M	0.10	0.12	0.15

A3	2023/02/02	Add Flatness	$\triangle 3$	Du Ying	OPERATION	DRAW	DATE	SCALE	Fit	PART NO.
A2	2021/12/28	MODIFY CAP	$\triangle 2$	Du Ying	X.X ±0.40	Du Ying	2023/02/02	UNIT	mm [inch]	1325-12XXXXMXXXCXXX $\triangle 3$
A1	2018/01/18	MODIFY PART NO.	$\triangle 1$	William Chen	X.XX ±0.25	CHECK	DATE	SIZE	A4	TITLE:
A0	2012/03/31	NEW		-----	X.XXX ±0.15	APPROVE	DATE	SHEET	1/1	1.27 Pin Header, DUAL ROW, SMT, WITHOUT POST, H=2.5
REV	DATE	MODIFICATION DESCRIPTION	CHANGE		Angle ± 3'			PROJ.	$\phi$	Customer NO.
					DIM TOL					

# WCON

Http: www.wcon.com

WCON-Dongguan Tel: +86 769 85358920  
 WCON-Kunshan Tel: +86 512 57468408  
 Fax: +86 769 85358915  
 Fax: +86 512 57468468  
 E-mail: sales@wcon.com  
 E-mail: salesks@wcon.com