

HSF

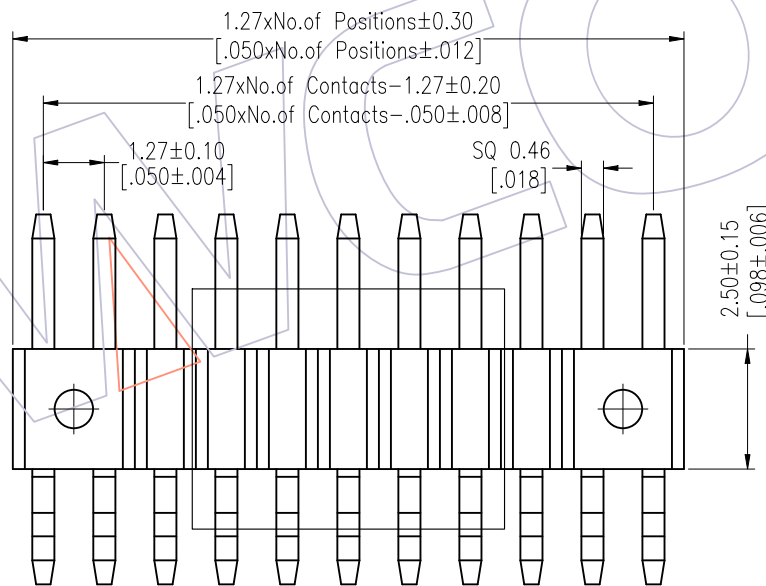
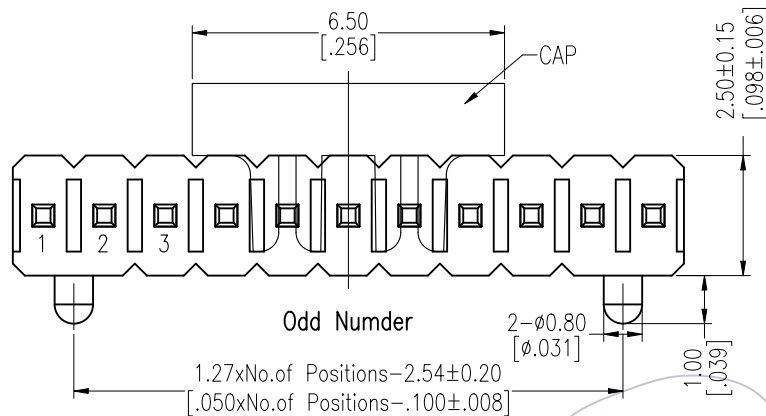
NOTES:
 Rated Current:1.0AMP.
 Contact Resistance:20mΩ Max.
 Withstand Voltage:500V AC/DC
 Insulation Resistance:1000MΩ Min.
 Operation Temperature:-40°C to +105°C

Contact Material:Brass
 Contact Plating:Au or Sn Over Ni
 Insulator Material:PA9T+33%G.F UL94V-0 BK

Ordering Information

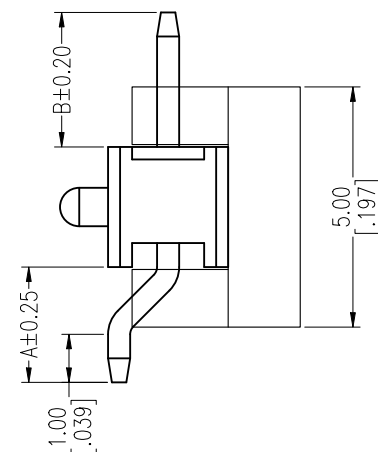
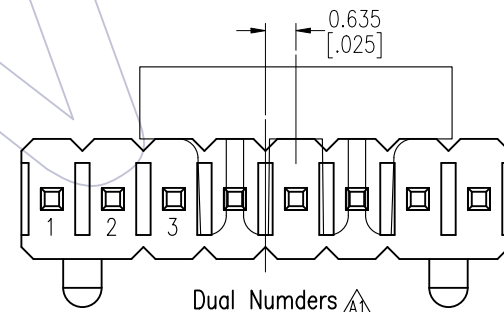
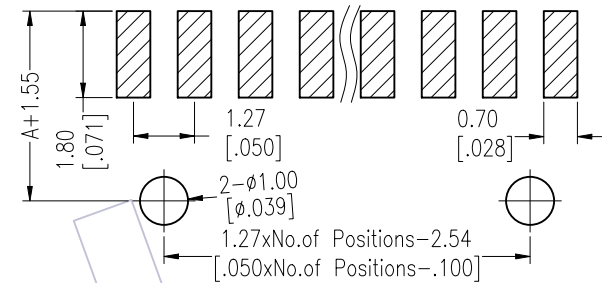
1325-11 XX XX Z XXX C R XX

No. of Pins	Contact Plating	Pin Length	Insulator	Packing	Series No.
01~50	G0=Gold Flash	L=A+B+2.8	C=PA9T	A=Tray	01~99
	G3=10u"Gold	Std:080=8.0		T=Tube	
	G4=15u"Gold	112=11.2		P=Tube+CAP	
	G5=30u"Gold			R=Tape&Reel+CAP	
	S0=Gold Flash/Tin				
	S3=10u"Gold/Tin				
	S4=15u"Gold/Tin				
	S5=30u"Gold/Tin				
	SN=Tin				
	SM=Matte Tin				



Recommended P.C.B Layout (Top Side)

(PCB BOARD TOLERANCE±0.05)



Item	Pin Length	A	B	Mating
Standard	8.0	2.40	2.80	2346
	11.2	2.40	6.00	2385
Alternate				

REV	DATE	MODIFICATION DESCRIPTION	CHANGE	OPERATION	DRAW	DATE	SCALE	Fit	PART NO.
A2	2018/01/18	MODIFY PART NO.	-----	X.X ±0.40	William Chen	2018/01/18	UNIT	mm [inch]	1325-11XXXXZXXXCXXX
A1	2013/06/07	Modify Drawing	-----	X.XX ±0.25	CHECK	DATE	SIZE	A4	TITLE:
A0	2012/03/31	NEW	-----	X.XXX ±0.15	APPROVE	DATE	SHEET	1/1	1.27 Pin Header, SINGLE ROW, R/A&SMT, WITH POST, H=2.5
				Angle ± 3'			PROJ.		Customer NO.
				DIM TOL					

WCON

Http: www.wcon.com

WCON-Dongguan Tel: +86 769 85358920 Fax: +86 769 85358915 E-mail: sales@wcon.com

WCON-Kunshan Tel: +86 512 57468408 Fax: +86 512 57468468 E-mail: salesks@wcon.com