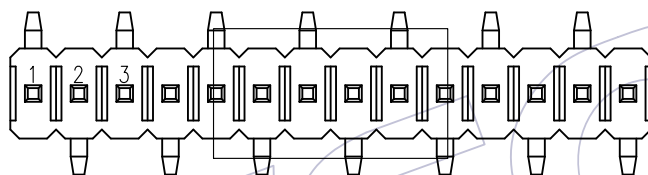
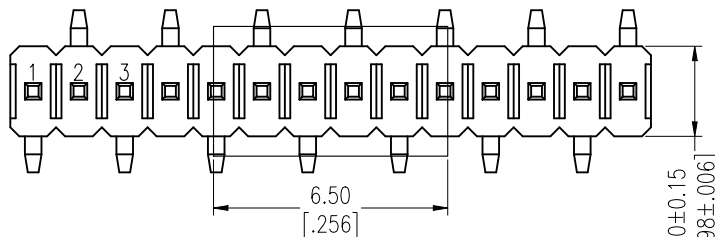


HSF

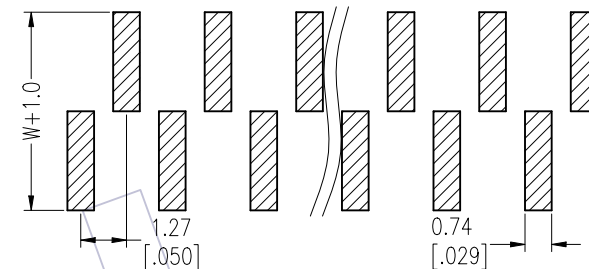
NOTES:
 Rated Current:1.0AMP.
 Contact Resistance:20mΩ Max.
 Withstand Voltage:500V AC/DC
 Insulation Resistance:1000MΩ Min.
 Operation Temperature:-40°C to +105°C

Contact Material:Brass
 Contact Plating:Au or Sn Over Ni
 Insulator Material:PA9T+33%G.F UL94V-0 BK

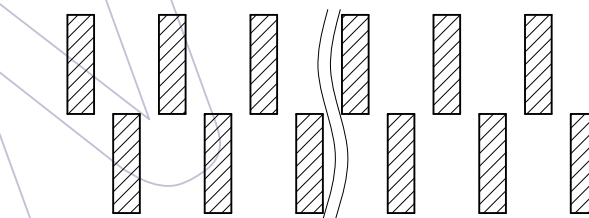
Recommended P.C.B Layout (Top Side)
 (PCB BOARD TOLERANCE±0.05)



TYPE-1



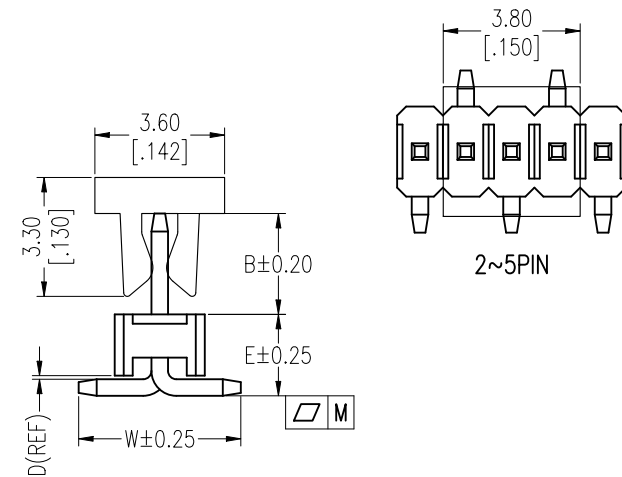
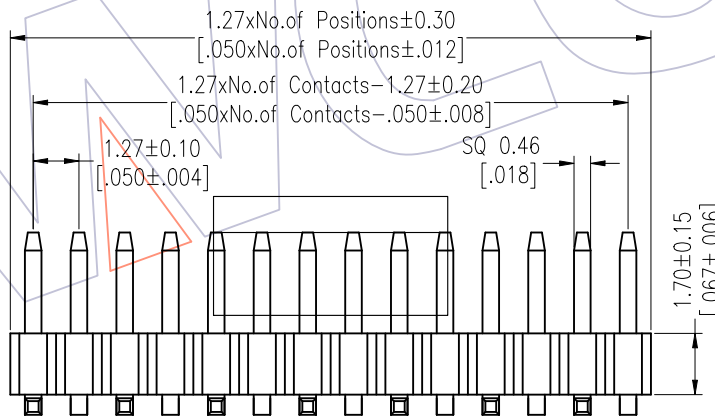
TYPE-2



Ordering Information

1317-11 XX XX M XXX C R XX

No.of Pins	Contact Plating	Pin Length	Insulator	Packing	Series No.
02~50	G0=Gold Flash	L=B+D+1.7+ $\frac{W}{2}$	C=PA9T	A=Tray	01~99
	G3=10u"Gold	Std:068=6.8		T=Tube	
	G4=15u"Gold	100=10.0		P=Tube+CAP	
	G5=30u"Gold			R=Tape&Reel+CAP	
	S0=Gold Flash/Tin				
	S3=10u"Gold/Tin				
	S4=15u"Gold/Tin				
	S5=30u"Gold/Tin				
	SN=Tin				
	SM=Matte Tin				



Item	Pin Length	W	E	B	Mating
Standard	6.8	4.50	2.26	2.80	2346
	10.0	4.50	2.26	6.00	2385
Alternate					

PIN(PerRow)	2-15P	16-30P	31-50P	A2
M	0.10	0.15	0.18	

REV	DATE	MODIFICATION DESCRIPTION	CHANGE	OPERATION	DRAW	DATE	SCALE	Fit	PART NO.
A2	2023/02/02	Add Flatness	A2	Du Ying	Du Ying	2023/02/02	UNIT	mm [inch]	1317-11XXXXMXXXCXXX A2
A1	2018/01/17	MODIFY PART NO.	A1	William Chen	CHECK	DATE	SIZE	A4	TITLE: 1.27 Pin Header, SINGLE ROW, SMT, H=1.7
A0	2012/03/16	NEW	-----	-----	APPROVE	DATE	SHEET	1/1	Customer NO.
				Angle	± 3'		PROJ.		
				DIM	TOL				

WCON
 Http: www.wcon.com
 WCON-Dongguan
 Tel: +86 769 85358920
 Fax: +86 769 85358915
 E-mail: sales@wcon.com
 WCON-Kunshan
 Tel: +86 512 57468408
 Fax: +86 512 57468468
 E-mail: salesks@wcon.com